

PK TURBO

LARGE VOLUME RECHARGEABLE POOL VACUUM
WIEDERAUFLADBARES POOLVAKUUM GROSSEM VOLUMEN
ASPIRATEUR DE PISCINE RECHARGEABLE À GRAND VOLUME
LIMPIAFONDOS DE PISCINA RECARGABLE DE ALTO VOLUMEN
ASPIRATORE PER PISCINA RICARICABILE DI GRANDE VOLUME
OPLAADBARE ZWEMBADSTOFZUIGER GROOT VOLUME
UPPLADDNINGSBAR POOLDAMMSUGARE FÖR STORA VOLYMER
SUUREN KAPASITEETIN LADATTAVA ALLASIMURI
OPPLADBAR BASSENGSTØVSUGER FOR STORE VOLUM
ASPIRADOR DE PISCINAŞ RECARREGÁVEL DE VOLUME GRANDE
ПЫЛЕСОС ДЛЯ БАСЕЙНА БОЛЬШОЙ ЕМКОСТИ



**USER MANUAL
BEDIENUNGSANLEITUNG
MANUEL D'UTILISATION
MANUAL DE USUARIO
MANUALE DELL'UTENTE
HANDLEIDING**

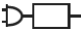
**ANVÄNDARHANDBOK
KÄYTTÖOHJE
BRUKSANVISNING
MANUAL DE UTILIZADOR
РУКОВОДСТВО ПОЛЬЗОВАТЕЛЯ**

SAFETY WARNINGS & INSTRUCTIONS

Information contained in this Instruction Manual will help you operate the item safely, protect yourself and others from hazards, and prevent damage to the device and other property.

SAVE THESE INSTRUCTIONS

WARNING!

- This is not a TOY. Children should be kept out of reach from this pool vacuum and its accessories.
- Never allow children to operate this product.
- This appliance is not intended for use by persons with reduced physical, sensory, mental capabilities, or a lack of experience and knowledge, unless they are given supervision or instructions concerning the safe use of the appliance and understand the hazards involved by a person responsible for their safety.
- Children must not play with this product.
- Cleaning and user maintenance must not be carried out by children.
- Make sure the pool vacuum is fully immersed in water before initiating operation. The minimum water level required to operate the pool vacuum must cover the entire pool vacuum. Operating the pool vacuum when it is not immersed in the water correctly could damage the unit and void the warranty as a result.
- Maximum operating depth in water is 3 meters (9.8 ft.).
- Operating water temperature: 5°C (41°F) – 35°C (95°F).
-  Detachable supply unit (external adaptor).
- The pool vacuum is only to be recharged with external adaptor and charging plug delivered with this product.
- For the purposes of recharging the battery, only use the detachable supply unit (external adaptor model number: DSS12D-1351000-B / DSS12D-1351000-C / DSS12D-1351000-D/ LX135100U) that provided with this pool vacuum to charge the battery.
- Connect the external adaptor to a power source through a residential current device (RCD) / a ground fault circuit interrupter (GFCI). If in doubt, consult a qualified professional electrician.
- DO NOT use this pool vacuum if any damage is detected.
- Replace damaged parts with ones that are certified by the distributor or manufacturer.
- Turn off the power, disconnect the external adaptor from the power source, and unplug the external adaptor from the charging plug before detaching the pool vacuum from the charging plug.
- Disconnect the pool vacuum from the supply mains and make sure the pool vacuum is powered OFF prior to servicing it such as cleaning the filter bag.
- DO NOT attempt to replace the installed rechargeable Li-ion battery pack.

- DO NOT handle the pool vacuum, external adaptor and charging plug while it is charging with wet limbs and without shoes.
- You should not operate this pool vacuum when people/pets are present in the water.
- DO NOT use this pool vacuum without an intact filter bag in place, otherwise your warranty will be voided as a result.
- Suction entrapment hazard: This pool vacuum generates suction. Do not allow hair, body, and any loose parts of your clothing to make contact with the suction point of the pool vacuum during its operation.
- Never insert body parts, clothing, and other objects into the openings and moving parts of the pool vacuum.
- DO NOT use this pool vacuum to pick up any toxic substance, flammable, and combustible liquids (i.e. gasoline) in the presence of explosive or flammable fumes.
- Under no circumstances should you attempt to disassemble the pool vacuum and replace the impeller, motor, and battery by yourself.
- Never insert fingers and any object to touch the impeller.
- The built-in battery must be removed by a skilled technician before it is scrapped.
- This pool vacuum contains a battery that are only to be removed by skilled persons.
- The pool vacuum must be disconnected from the supply mains as the battery is removed.
- For details regarding battery recycling/disposal, refer to the section “BATTERY DISPOSAL” in this manual and contact your local authorities for more information.
- The battery must be disposed safely in accordance with local ordinances or regulations.

- External adaptor and charging plug:
 - Never use the external adaptor and charging plug for anything other than charging the battery of the pool vacuum that is supplied in the same pack.
 - The external adaptor and charging plug should not be used outdoors, nor should it be exposed to rain, humidity, any liquid or heat.
 - The transformer (or external adaptor) is to be located outside zone 1.
 - Keep the external adaptor and charging plug out of reach of children.
 - Never use the external adaptor and charging plug if any damage is detected.
 - DO NOT handle the external adaptor and charging plug with wet hands.
 - Keep the external adaptor disconnected from power when it is not in use.
 - Never attempt to open the external adaptor and charging plug.

- If the supply cord of the external adaptor is damaged, the external adaptor must be replaced by the manufacturer or its service agent to prevent hazards of any kind.
- Make sure the pool vacuum and the charging plug are completely dry before charging.

CAUTION!

- This pool vacuum is designed for underwater use only; it is not an all-purpose vacuum cleaner. DO NOT attempt to use it to clean anything other than your pool.
- Use only original accessories delivered with this product.
- DO NOT use this pool vacuum right after pool-shocking. It is recommended to first leave the pool circulating for at least 24-48 hours.
- If you are planning on using the pool vacuum in a saltwater pool, make sure all salt are dissolved before placing it in the water.
- DO NOT use this pool vacuum with another automatic cleaner/cleaner simultaneously in the pool/spa.
- Avoid picking up hard, sharp objects with this product as they may damage the pool vacuum and filter.
- To avoid damaging the external adaptor and charging plug, do not attempt to carry the pool vacuum by the cable of external adaptor or pull the cable in hopes of disconnecting it from the power source and charging plug.
- Charge the pool vacuum indoors in a clean, dry area with good ventilation and away from sunlight.
- DO NOT leave the pool vacuum charged for over 10 hours.
- If the pool vacuum will not be used for an extended period, detach it from the charging plug and use a damp cloth to clean and dry the pool vacuum and its accessories. Make sure to charge the pool vacuum to about 30% to 50% of the battery capacity before it is stored. Store in a well-ventilated area away from sunlight, heat, ignition sources, pool chemicals, and children. Recharge the pool vacuum every three months.
- All actions concerning the disassembly of the main unit (i.e. battery disposal) can only be carried by an authorized technician.

Above warnings and cautions are not intended to incorporate all possible instances for risks and / or severe injuries. Pool / spa owners should always exercise extra caution and common sense when utilizing the product.

Remark: Product/parts photos/drawings in this manual are for demonstration only. Product/parts in photos/drawings may vary with the model purchased. Accessories / parts shown in this manual & parts diagram are not necessarily included with every model.

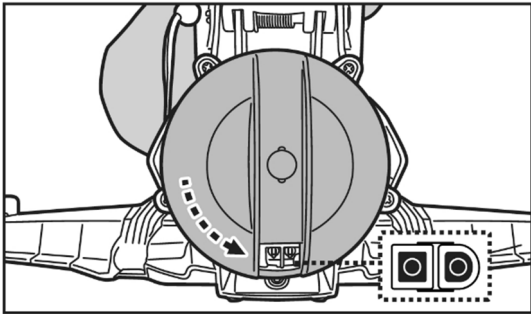
GETTING STARTED

Charging The Battery

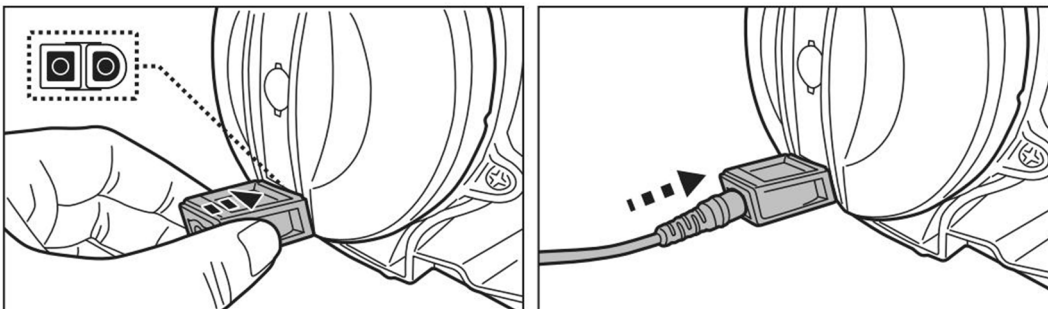
IMPORTANT NOTE: Fully charge the pool vacuum (about 6 hrs) before using it for the first time.

WARNING!

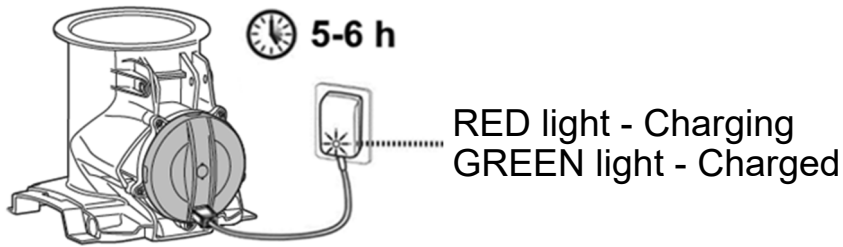
- Use only the original external adaptor and charging plug provided.
 - Make sure the pool vacuum and the charging port are clean and dry before set-up and charging. (TIPS: use a cotton bud to dry the charging port and charging pins)
 - The charging pins are waterproof. However, remnants of water in the port and around the pins could result in natural occurrence of stains (a byproduct of chemical reaction between water and electric currents). Otherwise, the stains can be removed by light scrubbing with a cotton bud soaked with juice of lemon or vinegar.
1. Place the unit on a flat surface. Set the pool vacuum to Power Off/ Charging Mode by turning the switching knob anticlockwise until it clicks and completely exposes the charging port.



2. Align and attach the charging plug to the charging port. **WARNING!** Be sure not to invert the charging plug and ensure both the charging plug and charging port are clean and dry before charging them. TIPS: Use cotton bud to dry the charging port and pins. Plug the charging cable of the external adaptor into the charging plug.



3. Connect the external adaptor to the power source. The indicator light on the external adaptor will turn red when the vacuum is charging and green when it is fully charged. Charge it for 5-6 hours for best performance.



- Immediately disconnect the external adaptor from the power source if you detect any of the following:
 - Offensive or unusual odor
 - Excessive heat
 - Deformation, cracks, leaks
 - Smoke
- 4. When charging is complete, disconnect the external adaptor from the power source and unplug the charging cable from the charging plug. Detach the charging plug from the main unit. **WARNING!** Never leave the charging plug while the pool vacuum is in the water.

Normally the pool vacuum is designed to operate for up to 75 minutes on a full charge.
Note: Empty the filter bag regularly. Excessive debris increases the burden to the motor and may shorten the operating time.

NOTE: Rechargeable lithium-ion battery is classified as a consumable item. It has a limited life and will gradually lose its capacity to hold a charge. Therefore, the running time of the pool vacuum will gradually reduce after repeated charging and discharging throughout its product life.

Once the lifespan of the battery reaches its end, refer to section “BATTERY DISPOSAL” for instructions regarding battery disposal.

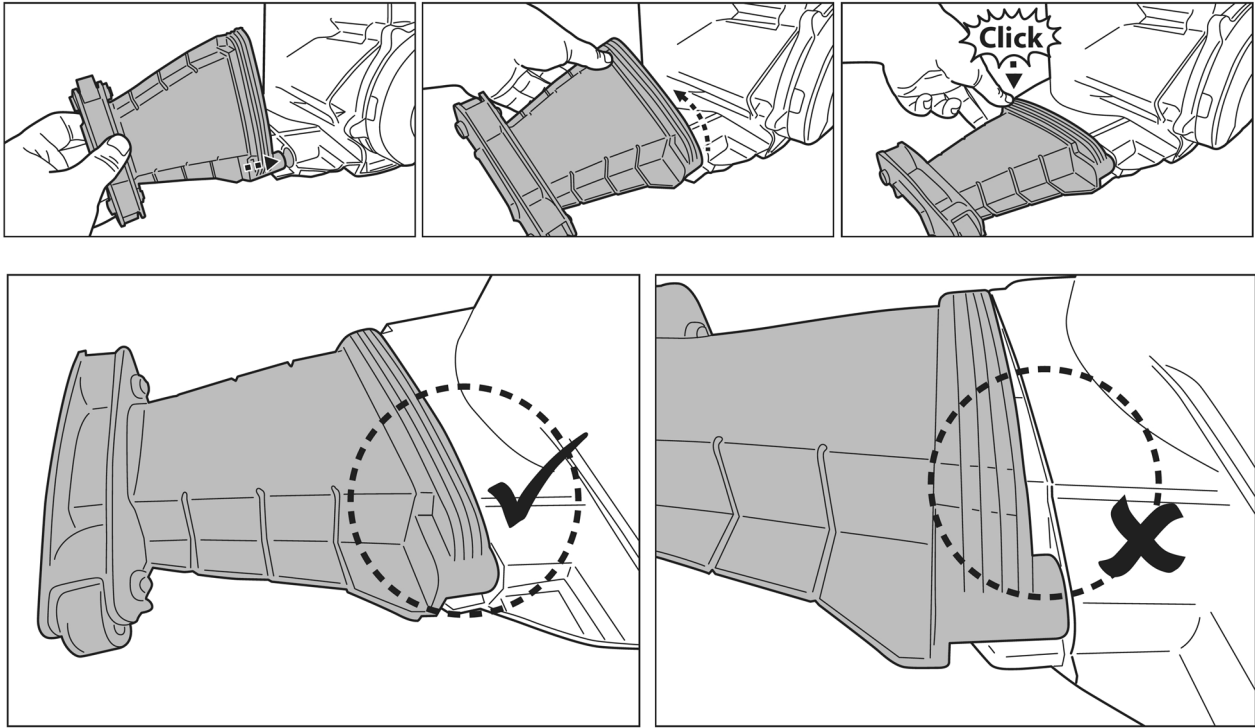
NOTE: Let the pool vacuum rest for around 30 to 40 minutes before charging it again.

Set-Up Before Use

This pool vacuum has removable extensions which can be removed to clean the narrow areas.

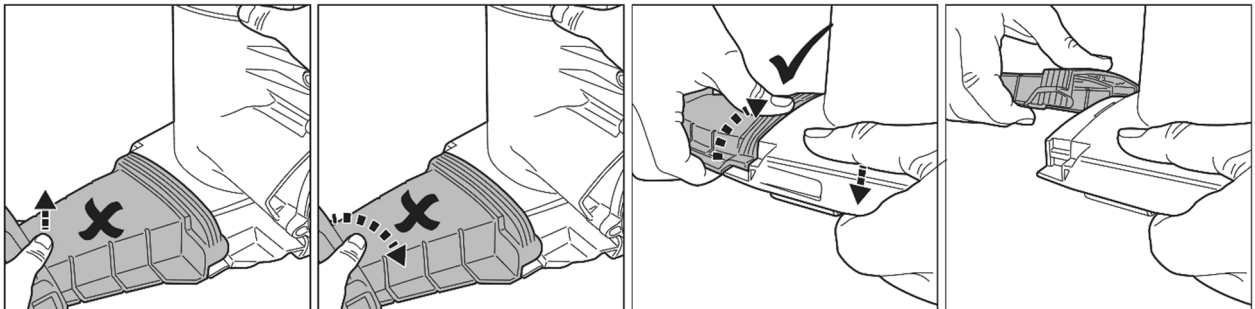
Side extension assembly

Insert the stem of the wing to the hole on the side of the main body. Turn the wing and press on it to secure it to the main body. You will hear a “click” sound.



Side extension disassembly

Reverse the steps to disassemble the extension from the main unit.

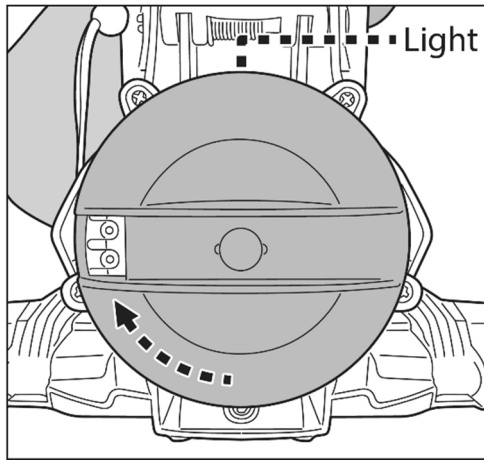


Pool Preparation

- If the liner is brittle, damaged, or wrinkled, contact a qualified professional to perform the necessary repairs or perform a liner replacement prior to using the pool vacuum.
- If you are using a saltwater pool, make sure all salt are dissolved before placing the pool vacuum into the water.

OPERATION

- 1) Bring your pool vacuum to the side of your pool. Turn the switching knob clockwise until it clicks to expose the water sensors. The light at the top will turn blue. Immerse the pool vacuum into water, the light turns immediately to green and the impeller will start to turn after 4-5 seconds.

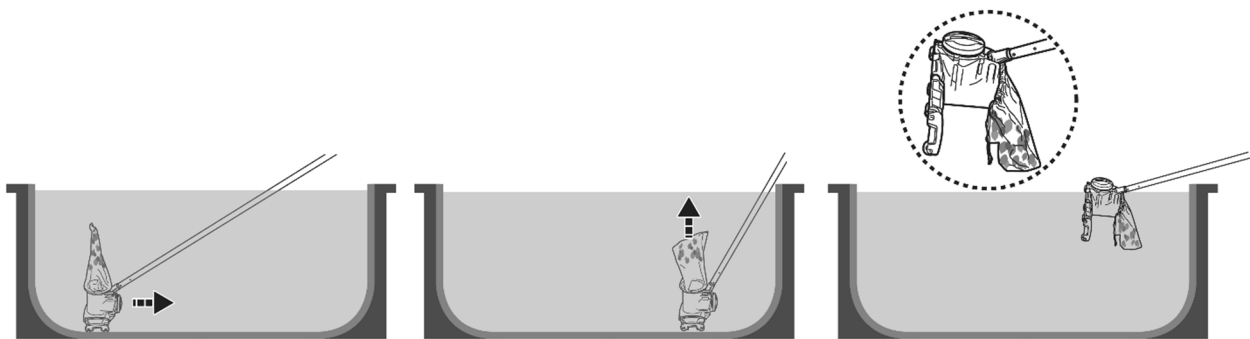


Light Color	
Blue	Power On (ready for operation)
Blue – Flash	Battery level is running low
Green	In operation
Green -Flash	Battery level is running low.
Green light Off	Battery depleted (need to be recharged)
Red	Impeller stops (impeller clogged).

To effectively vacuum up debris, ensure the pool vacuum is laid flat on the pool floor as you steer it back and forth in regular motion over debris patches for collection. Debris is collected from the front, side and back to fill up the filter bag.

Excess dirt and debris in the pool could clog the impeller, which would automatically stop to protect the motor, and the indicator light would turn red. Remove the vacuum from the pool and turn it off prior to unclogging and emptying the filter bag if it is full. To resume operation, turn the switching knob anticlockwise until Power Off is selected, then turn it clockwise to select Power On.

- 2) To retrieve the pool vacuum, bring it poolside and flip it upside down before lifting. This is done to prevent debris from scattering back into the pool (especially if you are using the fine filter bag) and avoid bending the pole in the process.



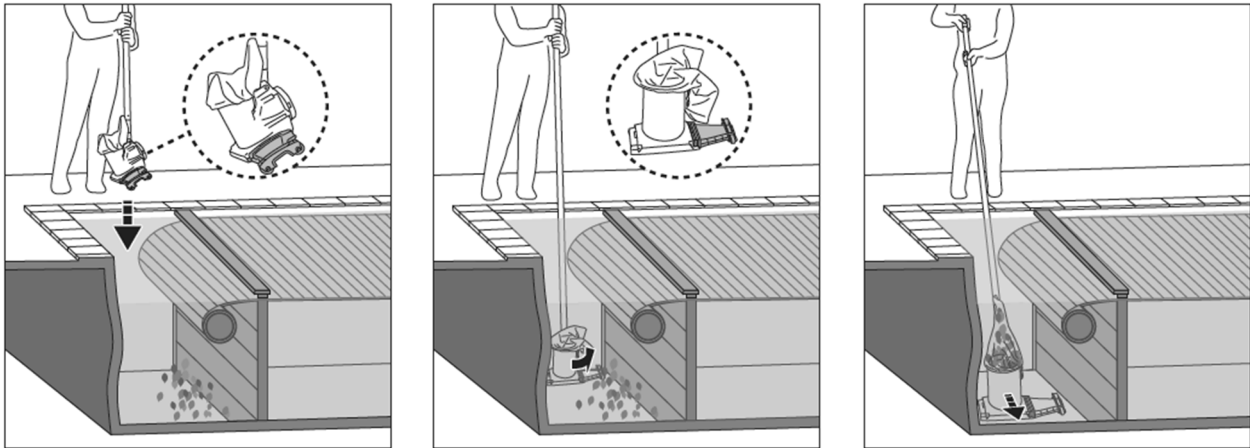
Once the pool vacuum is out of the water, the impeller will cease to spin within 2-3 seconds. The LED light will turn blue. When battery level is running low, blue light will flash.

- 3) Rinse the pool vacuum with fresh water after every use. DO NOT use any aggressive detergent.
- 4) Dry the charging port and pins thoroughly (TIPS: Use cotton bud to dry them).

Vacuuming the Sunken Compartment of an Automatic Slatted Cover

WARNING! Pay attention to all safety warnings in the manual of your automatic slatted cover concerning this cleaning operation beforehand.

- The minimum distance required for the immersion of the vacuum into the sunken compartment is 30cm (12in)



- Remove the duckboard and unroll the pool slat according to instructions from your pool cover manual.
- Detach one extension of the vacuum cleaner before immersing it into the pool.
- Attach a telescopic pole (not provided) to the pool vacuum handle as instructed in the manual.
- Power on the vacuum then align it as shown in the image above before immersion.
- Once the cleaner reaches the pool floor, parallel it to the pool length as shown above and start vacuuming the sunken compartment.

CLEANING THE FILTER BAG/CARTRIDGE FILTER

Remark: Cartridge filter bag is not necessarily included with every model

CAUTION! Make sure the pool vacuum is OFF before cleaning the filter bag/cartridge filter.

Washing regularly the filter bag and cartridge filter helps to maintain a good suction and close contact between the vacuum and the pool floor during the operation.

Place the cleaner on a flat surface. Press on the cord fastener to release the bag from the main body.

It is recommended to wash the filter bag with a water jet after each pool cleaning cycle. Spray at an angle to get rid of the debris between the pleats of the cartridge filter. Never use a pressure washer as it will damage the cartridges. To eliminate stubborn dirt or scum on a clogged filter, wash the filter bag in a washing machine at 30 °C (86 °F) water temperature. For cartridge filter, soak it in water with detergent for 2-3 hours, then rinse it with a water jet. If brushing is deemed necessary, use only a soft brush to clean it carefully and gently to avoid any damages.

MAINTENANCE & STORAGE

NOTE:

1. Be sure to clean and dry the areas around the charging port and water sensors after every use to avoid the forming of stains (byproduct of a natural chemical reaction between electric current and water). Otherwise, the stains can be removed by light scrubbing with a cotton bud soaked with juice of lemon or vinegar.
2. Battery discharges on its own during storage. Make sure to charge the pool vacuum to about 30% to 50% of the battery capacity before it is stored.
3. You must recharge the battery at least once every three months when it is not in use.
 - Unplug the external adaptor from the socket and the charging cable from the charging plug.
 - Detach accessories from the pool vacuum. If necessary, rinse the pool vacuum and accessories with fresh water. DO NOT use aggressive detergent.
 - Be sure to dry the pool vacuum before storage.
 - Use a damp cloth to clean and dry the pool vacuum and its accessories.
 - Store them in a well-ventilated area away from sunlight, heat, ignition sources, pool chemicals, and from children. Ambient temperature for storage should be 10°C – 25°C (50°F – 77°F). NOTE: A higher storage temperature may reduce the battery life.

WARNING!

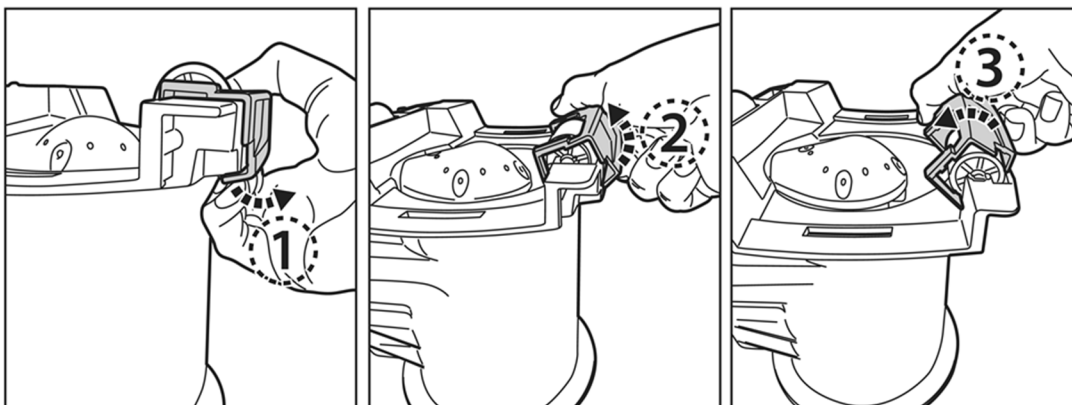
Under no circumstances should you attempt to disassemble the main unit and replace the impeller, motor, and battery by yourself.

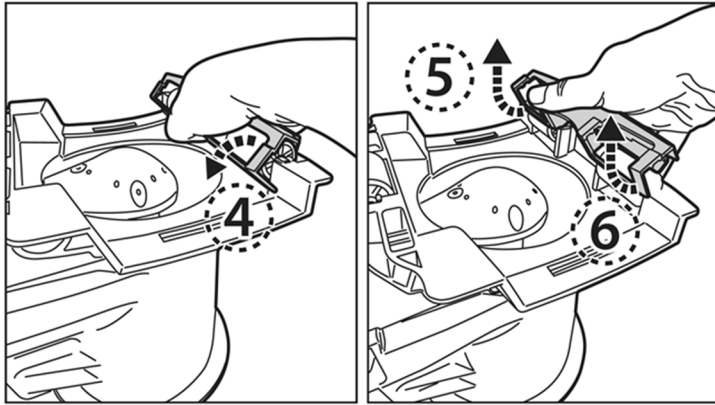
CAUTION!

- Excessive heat can damage the battery and reduce the lifespan of your pool vacuum as a result.
- Consult your dealer regarding battery replacement if the following happens:
 - Battery does not charge fully.
 - Battery operation time is noticeably reduced. Observe and record the run times of the first few operations (on a full charge). Use these run times as a reference point for comparison with run times in the future.
- The battery must be removed from the pool vacuum before it is scrapped.
- The battery is to be disposed safely in accordance with local ordinances or regulations.

NOTE: Incorrect maintenance may reduce the battery life and affect its capacity as a result.

Front wheels replacement





Before detaching the damaged front wheels, you will need to detach the frame first.

1. Pry and lift up the frame edge.
- 2/3/4. Rotate the frame to the other end.
5. Pick one end and lift it.
6. Lift the other end to detach the whole frame to replace the damaged wheel.

BATTERY DISPOSAL (To be carried out by authorized technician)

Your pool vacuum is equipped with a maintenance-free rechargeable lithium-ion battery pack, which must be disposed of properly. Recycling is required; please contact your local authority for more information.

WARNING! Never attempt to disassemble a battery pack

- Remove all personal items such as rings, bracelets, necklaces, and watches when the battery pack is unwired from the pool vacuum.
- A battery can produce a short circuit current high enough to weld a ring (or similar item) to metal, causing a severe burn in the process.
- Wear complete eye protection, gloves, and protective clothing when the battery pack is being removed.
- Avoid touching the wires altogether and avoid contact between them and any metal items, which could cause sparking and/or short circuit the battery.
- Never smoke or allow a spark or flame in the vicinity of the battery or the pool vacuum.
- Do not expose the battery to fire or intense heat as this may result in an explosion.

CAUTION!

If a battery leak occurs, avoid any contact with the leaking fluids and place the damaged battery in a plastic bag.

- If leaking fluids come in contact with skin and clothing, wash immediately with plenty of soap and water.
- If leaking fluids come in contact with eyes, do not rub them and immediately flush them with cool running water for at least 15 minutes. Seek medical attention as soon as possible.

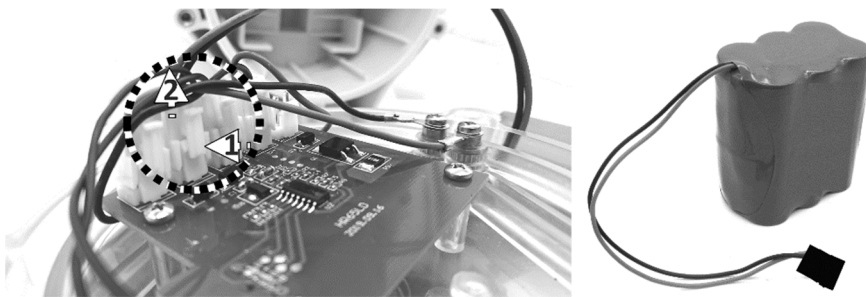
How to remove the battery pack (To be carried out by authorized technician)
Recommended tools (not included): Screwdriver.

WARNING! The pool vacuum must be disconnected from the supply mains before removing the battery pack.

1. Place the pool vacuum on a flat surface. Use the screwdriver to unfasten the screws on the back cover. Remove the battery from the chamber.





2. To detach the battery connection wire, press on the clip of the connector to pull it out. **NOTE:** Wrap the connector immediately with insulating tape in order to avoid any short circuit caused by the contact of both wire terminals.



TROUBLESHOOTING

Problem	Possible Cause	Solution
Cleaner does not start working under water (after 5-10 seconds)	Stained water sensors	The stains can be removed by using a cotton bud soaked with juice of lemon or vinegar to clean the areas around the water sensors.
	Out of battery	Charge the pool vacuum.
Does not capture the debris / debris is leaked into the pool	Low battery	Charge the pool vacuum.
	Jammed impeller	Remove the pool vacuum from the water and turn the knob anticlockwise to shut it off. Check and see if the impeller is jammed by large debris. Remove the debris. If necessary, contact your dealer for further instructions. WARNING! Make sure the pool vacuum is off before the unit is serviced.
	Broken impeller	Contact your dealer for replacement.
	Filter bag is full / clogged	Clean the filter bag.
Wheel detached from the body.	Check if wheel/ wheel bracket is broken	Replace a new wheel/wheel bracket.
Charging time is longer than advertised	Stained charging pins	The stains can be removed by using a cotton bud soaked with juice of lemon or vinegar to clean the areas around the charging pins.
Cleaner cannot be charged	Damaged battery	Contact dealer for battery replacement. WARNING! DO NOT replace the battery by yourself. This could result in severe or fatal injuries and the warranty will be voided as a result.
	Charging plug is not correctly connected to external adaptor and pool vacuum	Refer to instruction manual and connect the charging accessories correctly.
	External adaptor is out of order	Contact dealer for replacement. WARNING! Using the wrong external adaptor will result in damaging the pool vacuum / battery and voiding the warranty as a result.

Environmental Programmes, WEEE European Directive

	Please respect the European Union regulations and help to protect the environment. Return non-working electrical equipment to a facility appointed by your municipality that properly recycles electrical and electronic equipment. Do not dispose them in unsorted waste bins. For items containing removable batteries, remove batteries before disposing of the product.
	© 2021 BWT Holding GmbH. 21011004 All rights reserved. No part of this document may be reproduced or transmitted in any form or by any means, electronic, mechanical, photocopying, recording, or otherwise, without prior written permission of BWT Holding GmbH. (V1)

If soft copy of this instruction manual is required, please contact our customer service by email.


SAVE THESE INSTRUCTIONS

SICHERHEITSHINWEISE UND ANWEISUNGEN

Die in dieser Bedienungsanleitung enthaltenen Informationen helfen Ihnen, das Gerät sicher zu bedienen, sich und andere vor Gefahren zu schützen und Schäden am Gerät und anderem Eigentum zu vermeiden.

ANLEITUNG AUFBEWAHREN

WARNUNG!

- Dies ist KEIN SPIELZEUG. Kinder sollten von diesem Pool-Sauger und dessen Zubehör ferngehalten werden.
- Lassen Sie niemals Kinder dieses Produkt bedienen.
- Dieses Gerät ist nicht für die Verwendung durch Personen mit eingeschränkten physischen, sensorischen oder geistigen Fähigkeiten oder fehlender Erfahrung und mangelndem Wissen bestimmt, es sei denn, sie wurden von einer für ihre Sicherheit verantwortlichen Person beaufsichtigt oder in die sichere Verwendung des Geräts eingewiesen und verstehen die vorhandenen Gefahren.
- Kinder dürfen nicht mit diesem Produkt spielen.
- Reinigung und Wartung durch den Benutzer dürfen nicht von Kindern durchgeführt werden.
- Stellen Sie sicher, dass das Poolvakuum vollständig in Wasser eingetaucht ist, bevor Sie den Betrieb aufnehmen. Der für den Betrieb des Poolvakuums erforderliche Mindestwasserstand muss das gesamte Poolvakuum abdecken. Wenn Sie den Pool-Sauger betreiben, wenn er nicht richtig in das Wasser eingetaucht ist, kann das Gerät beschädigt werden und die Garantie erlischt.
- Die maximale Betriebstiefe im Wasser beträgt 3 Meter.
- Betriebswassertemperatur: 5°C – 35°C.
-  Abnehmbare Versorgungseinheit (externer Adapter).
- Der Pool-Sauger darf nur mit einem mit diesem Produkt gelieferten externen Adapter und Ladestecker aufgeladen werden.
- Verwenden Sie zum Aufladen der Batterie nur die abnehmbare Stromversorgung (Modellnummer des externen Adapters: DSS12D-1351000-B / DSS12D-1351000-C / DSS12D-1351000-D/ LX135100U), die mit diesem Pool-Sauger geliefert wird.
- Verbinden Sie den externen Netzadapter über eine Fehlerstrom - Schutzeinrichtung, (RCD) / einen Fehlerstrom - Schutzschalter (RCCB) mit dem Netz. Ziehen Sie in Zweifelsfällen einen qualifizierten Elektriker zu Rate.
- Verwenden Sie diesen Pool-Sauger nicht, wenn Schäden festgestellt werden.
- Ersetzen Sie beschädigte Teile durch solche, die vom Händler oder Hersteller zertifiziert sind.
- Schalten Sie den Strom aus, trennen Sie den externen Adapter von der Stromquelle und ziehen Sie den externen Adapter vom Ladestecker ab, bevor Sie den Pool-Sauger vom Ladestecker abziehen.

- Trennen Sie das Poolvakuum vom Versorgungsnetz und stellen Sie sicher, dass das Poolvakuum ausgeschaltet ist, bevor Sie es warten, z. B. um den Filterbeutel zu reinigen.
- Versuchen Sie nicht, den eingebauten wiederaufladbaren Li-Ionen-Akku zu ersetzen.
- Fassen Sie den Pool-Sauger, den externen Adapter und den Ladestecker NICHT mit nassen Gliedmaßen und ohne Schuhe an, während er aufgeladen wird.
- Sie sollten diesen Pool-Sauger nicht betreiben, wenn sich Personen/Haustiere im Wasser befinden.
- Verwenden Sie diesen Pool-Sauger NICHT ohne einen intakten Filterbeutel, da sonst Ihre Garantie erlischt.
- Sauganschlussgefahr: dieses Poolvakuum erzeugt eine Saugwirkung. Lassen Sie Haare, Körper und lose Teile Ihrer Kleidung während des Betriebs nicht mit dem Saugpunkt des Poolvakuums in Kontakt kommen.
- Führen Sie niemals Körperteile, Kleidung und andere Gegenstände in die Öffnungen und beweglichen Teile des Pool-Saugers ein.
- Verwenden Sie diesen Poolsauger NICHT, um toxische Substanzen, entzündliche und brennbare Flüssigkeiten (z. B. Benzin) in Gegenwart von explosiven oder entflammaren Dämpfen aufzunehmen..
- Versuchen Sie unter keinen Umständen, das Poolvakuum zu zerlegen und das Laufrad, den Motor und die Batterie selbst auszutauschen.
- Führen Sie niemals Finger und Gegenstände ein, um das Laufrad zu berühren.
- Die eingebaute Batterie muss von einem Fachmann entfernt werden, bevor sie verschrottet wird.
- Dieses mit Poolsauger arbeitende Gerät enthält einen Akku, der nur von Fachpersonal entfernt werden darf.
- Bevor der Akku entfernt wird, muss das Poolsauger von der Stromversorgung getrennt werden.
- Einzelheiten zum Recycling bzw. zur Entsorgung des Akkus finden Sie im Abschnitt „ENTSORGUNG DES AKKUS“ in dieser Anleitung und wenden Sie sich für weitere Informationen an Ihre örtlichen Behörden.
- Der Akku muss im Einklang mit den im Verwendungsland geltenden Vorschriften entsorgt werden.
- Externer Adapter und Ladestecker:
 - Verwenden Sie den externen Adapter und den Ladestecker niemals für andere Zwecke als zum Laden des Akkus des Pool-Saugers, der im selben Paket enthalten ist.
 - Der externe Adapter und der Ladestecker dürfen weder im Freien verwendet werden noch Regen, Feuchtigkeit, Flüssigkeiten oder Hitze ausgesetzt werden.
 - Der Transformator (oder der externe Adapter) muss sich außerhalb der Zone 1 befinden.
 - Bewahren Sie den externen Adapter und den Ladestecker außerhalb der Reichweite von Kindern auf.

- Verwenden Sie niemals den externen Adapter und den Ladestecker, wenn Schäden festgestellt werden.
- Fassen Sie den externen Adapter und den Ladestecker NICHT mit nassen Händen an.
- Halten Sie den externen Adapter vom Stromnetz getrennt, wenn er nicht verwendet wird.
- Versuchen Sie keinesfalls, das externe Ladegerät und die Ladestecker zu öffnen.
- Wenn das Netzkabel des externen Adapters beschädigt ist, muss der externe Adapter durch den Hersteller oder seinen Kundendienstvertreter ersetzt werden, um Gefahren jeglicher Art zu vermeiden.
- Vergewissern Sie sich, dass der Pool-Sauger und der Ladestecker vor dem Aufladen vollständig trocken sind.

VORSICHT!

- Dieser Pool-Sauger ist nur für die Verwendung unter Wasser vorgesehen. Es ist kein Allzweckstaubsauger. Versuchen Sie NICHT, damit etwas anderes als Ihren Pool zu reinigen.
- Verwenden Sie nur Originalzubehör, das mit diesem Produkt geliefert wurde.
- Verwenden Sie diesen Poolreiniger NICHT unmittelbar nach dem Auftragen von Chlorschock. Es wird empfohlen, den Pool mindestens 24-48 Stunden lang im Umlauf zu lassen.
- Wenn Sie das Poolvakuum in einem Salzwasserpool verwenden möchten, stellen Sie sicher, dass das gesamte Salz aufgelöst ist, bevor Sie es ins Wasser geben.
- Verwenden Sie diesen Poolsauger NICHT gleichzeitig mit einem anderen automatischen/manuellen Reingigungsgerät im Becken..
- Vermeiden Sie es, mit diesem Produkt harte, scharfe Gegenstände aufzunehmen, da diese das Poolvakuum und den Filter beschädigen können.
- Um eine Beschädigung des externen Adapters und des Ladesteckers zu vermeiden, versuchen Sie nicht, das Poolvakuum über das Kabel des externen Adapters zu führen, und ziehen Sie nicht am Kabel, um es von der Stromquelle und dem Ladestecker zu trennen.
- Laden Sie den Pool-Sauger in einem sauberen, trockenen Bereich mit guter Belüftung und ohne Sonnenlicht auf.
- Lassen Sie das Poolvakuum NICHT länger als 10 Stunden aufgeladen.
- Wenn der Pool-Sauger längere Zeit nicht verwendet wird, ziehen Sie ihn vom Ladestecker ab und reinigen und trocknen Sie den Pool-Sauger und sein Zubehör mit einem feuchten Tuch. Stellen Sie sicher, dass der Pool-Sauger vor der Lagerung auf etwa 30% bis 50% der Batteriekapazität aufgeladen wird. An einem gut belüfteten Ort aufbewahren, fern von Sonnenlicht, Hitze, Zündquellen, Poolchemikalien und Kindern. Laden Sie den Pool-Sauger alle drei Monate auf.
- Alle Maßnahmen zur Demontage des Hauptgeräts (d. H. Entsorgung der Batterie) können nur von einem autorisierten Techniker durchgeführt werden.

Oben aufgeführte Warnungen und Vorsichtsmaßnahmen umfassen nicht alle möglichen Risiken und/oder schweren Verletzungsgefahren.

Pool/Spa-Eigentümer sollten bei der Verwendung des Produkts stets zusätzliche Vorsicht und gesunden Menschenverstand walten lassen.

Kommentare: Produkte/Teile auf den Fotos/Zeichnungen in dieser Anleitung dienen nur zur Veranschaulichung. Produkte/Teile auf den Fotos/Zeichnungen können beim gekauften Artikel variieren. Das in dieser Anleitung gezeigte Zubehör/Teile und die Teileübersicht sind nicht unbedingt in jedem Modell enthalten.

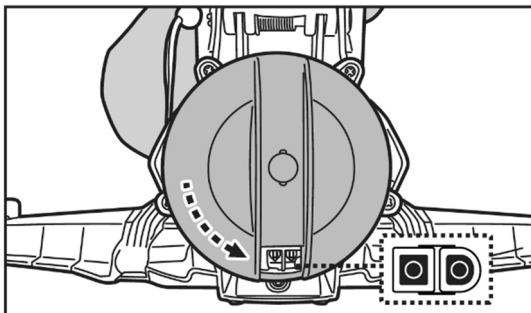
FERTIG MACHEN

Die Batterie aufladen

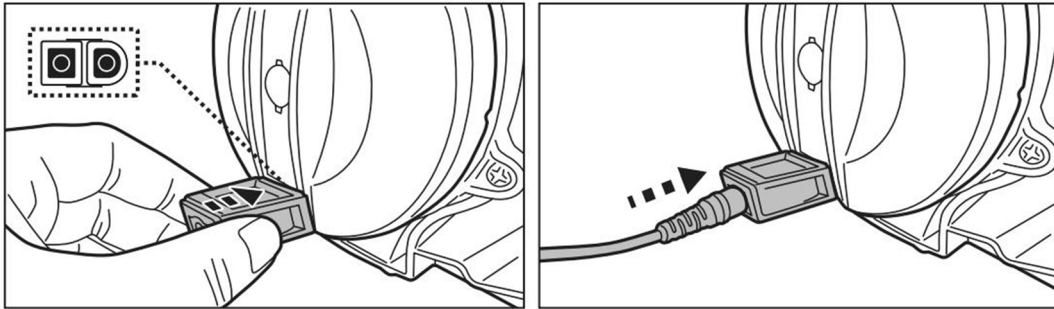
WICHTIGE NOTIZ: laden Sie das Poolvakuum vollständig auf (ca. 6 Stunden), bevor Sie es zum ersten Mal verwenden.

WARNUNG!

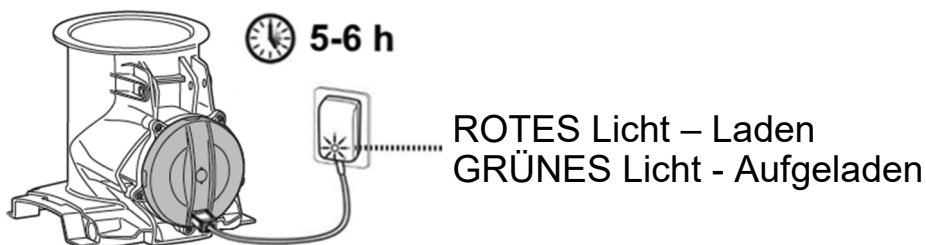
- Verwenden Sie nur den mitgelieferten Original-Netzadapter und den mitgelieferten Ladestecker.
 - Stellen Sie sicher, dass der Poolsauger und der Ladeanschluss sauber und trocken sind, bevor Sie ihn aufstellen und laden. (TIPP: Heben Sie die Schutzkappe auf und verwenden Sie einen Wattestäbchen zum Trocknen der Ladeöffnung und der Ladestifte).
 - Die Aufladestifte sind wasserdicht. Wasserreste im Hafen und um die Stifte herum könnten jedoch zum natürlichen Auftreten von Flecken führen (ein Nebenprodukt der chemischen Reaktion zwischen Wasser und elektrischen Strömen). Andernfalls können die Flecken durch leichtes Schrubben mit einem mit Zitronensaft oder Essig getränkten Wattestäbchen entfernt werden.
1. Stellen Sie das Gerät auf eine ebene Fläche. Stellen Sie den Pool-Sauger auf Ausschalt-/Lademodus, indem Sie den Schaltknopf gegen den Uhrzeigersinn drehen, bis er klickt und den Ladeanschluss vollständig freilegt.



2. Richten Sie den Ladestecker aus und schließen Sie ihn an den Ladeanschluss an. **WARNUNG!** Achten Sie darauf, den Ladestecker nicht umzudrehen und sicherzustellen, dass sowohl der Ladestecker als auch der Ladeanschluss sauber und trocken sind, bevor Sie sie aufladen. **TIPPS:** Trocknen Sie den Ladeanschluss und die Stifte mit Wattestäbchen. Stecken Sie das Ladekabel des externen Adapters in den Ladestecker.



3. Schließen Sie den externen Adapter an die Stromquelle an. Die Anzeigelampe am externen Adapter leuchtet rot, wenn das Vakuum aufgeladen wird, und grün, wenn es vollständig aufgeladen ist. Laden Sie es 6 Stunden lang auf, um die beste Leistung zu erzielen.



- Trennen Sie den externen Adapter sofort von der Stromquelle, wenn Sie Folgendes feststellen:
 - Beleidigender oder ungewöhnlicher Geruch
 - Übermäßige Hitze
 - Verformung, Risse, Undichtigkeiten
 - Rauch
4. Wenn der Ladevorgang abgeschlossen ist, ziehen Sie den externen Adapter von der Stromquelle ab und ziehen Sie das Ladekabel vom Ladestecker ab. Ziehen Sie den Ladestecker vom Hauptgerät ab. **WARNUNG!** Lassen Sie den Ladestecker niemals, während sich das Poolvakuum im Wasser befindet.

Normalerweise ist der Pool-Sauger so ausgelegt, dass er bei voller Ladung bis zu 75 Minuten lang betrieben werden kann.

Hinweis: leeren Sie den Filterbeutel regelmäßig. Übermäßiger Schmutz erhöht die Belastung des Motors und kann die Betriebszeit verkürzen..

HINWEIS: Der wiederaufladbare Lithium-Ionen-Akku wird als Verbrauchsartikel eingestuft. Es hat eine begrenzte Lebensdauer und verliert allmählich seine Fähigkeit, eine Ladung zu halten. Daher verringert sich die Laufzeit des Poolvakuum nach wiederholtem Laden und Entladen während seiner gesamten Produktlebensdauer allmählich.

Wenn die Lebensdauer der Batterie abgelaufen ist, finden Sie Anweisungen zur Entsorgung der Batterie im Abschnitt „ENTSORGUNG DER BATTERIE“.

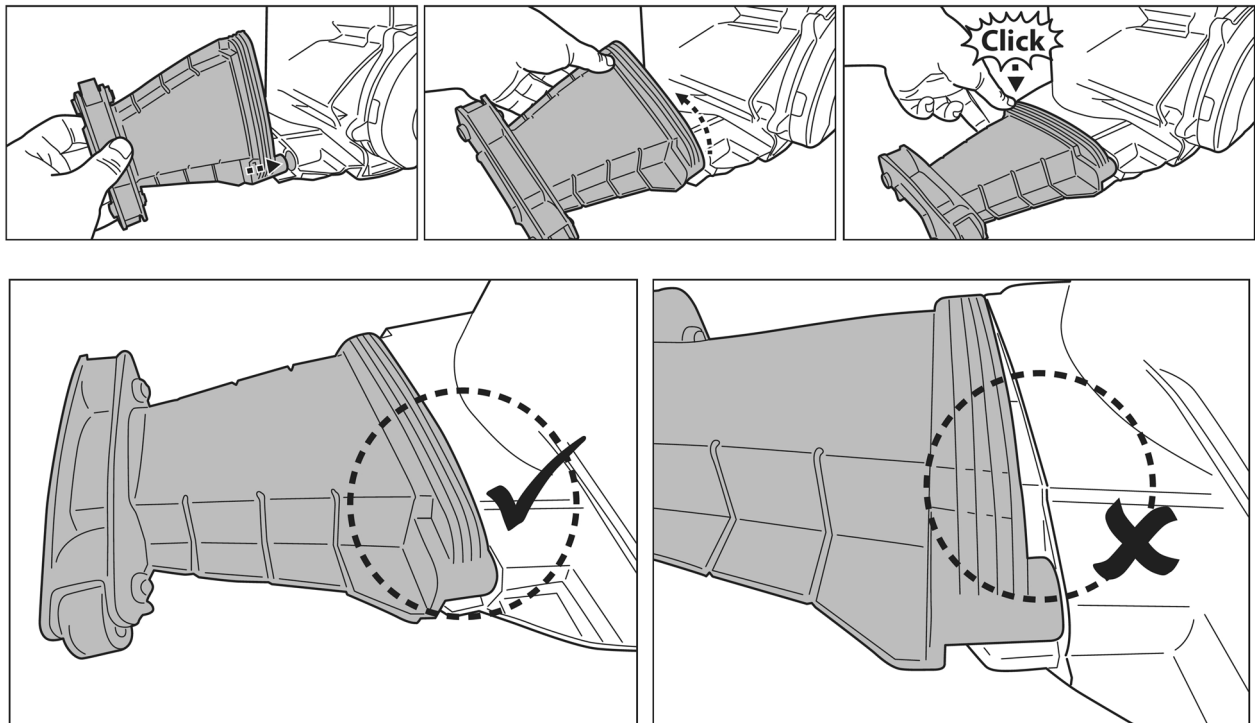
HINWEIS: Lassen Sie das Poolvakuum etwa 30 bis 40 Minuten ruhen, bevor Sie es erneut aufladen.

Vor Gebrauch einrichten

Dieser Pool-Sauger hat abnehmbare Verlängerungen, die entfernt werden können, um die engen Bereiche zu reinigen.

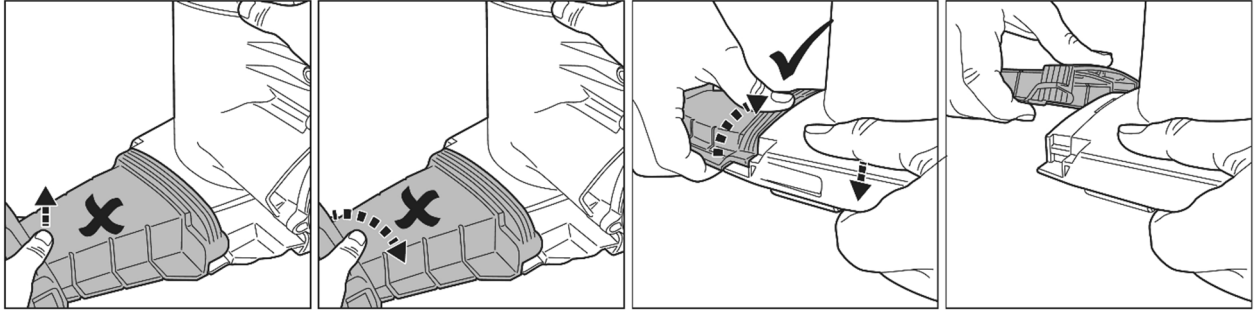
Verlängerung montieren

Führen Sie den Schaft des Flügels in das Loch an der Seite des Hauptkörpers ein. Drehen Sie den Flügel und drücken Sie darauf, um ihn am Hauptkörper zu befestigen. Sie hören ein Klicken.



Verlängerung demontieren

Gehen Sie in umgekehrter Reihenfolge vor, um die Verlängerung vom Hauptgerät zu trennen.

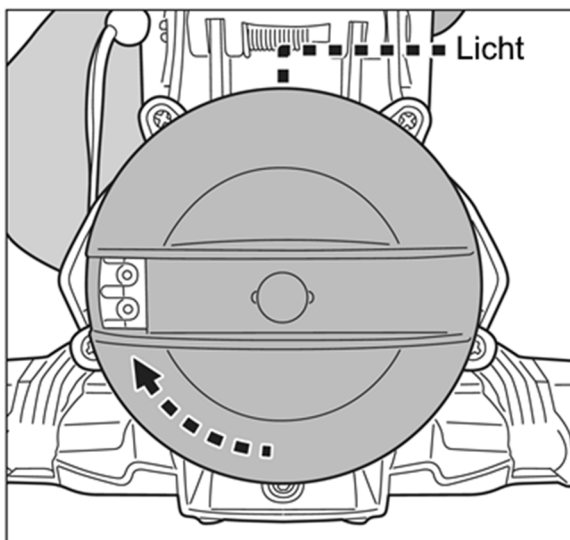


Poolvorbereitung

- Wenn der Liner spröde, beschädigt oder zerknittert ist, wenden Sie sich an einen qualifizierten Fachmann, um die erforderlichen Reparaturen durchzuführen oder einen Liner auszutauschen, bevor Sie den Pool-Sauger verwenden.
- Wenn Sie einen Salzwasserpool verwenden, stellen Sie sicher, dass das gesamte Salz aufgelöst ist, bevor Sie den Pool-Sauger ins Wasser stellen.

BETRIEB

- 1) Bringen Sie Ihren Pool-Sauger an die Seite Ihres Pools. Drehen Sie den Schaltknopf im Uhrzeigersinn, bis er einrastet, um die Wassersensoren freizulegen. Das Licht oben wird blau. Tauchen Sie das Poolvakuum in Wasser, das Licht wird sofort grün und das Laufrad beginnt sich nach 4-5 Sekunden zu drehen.

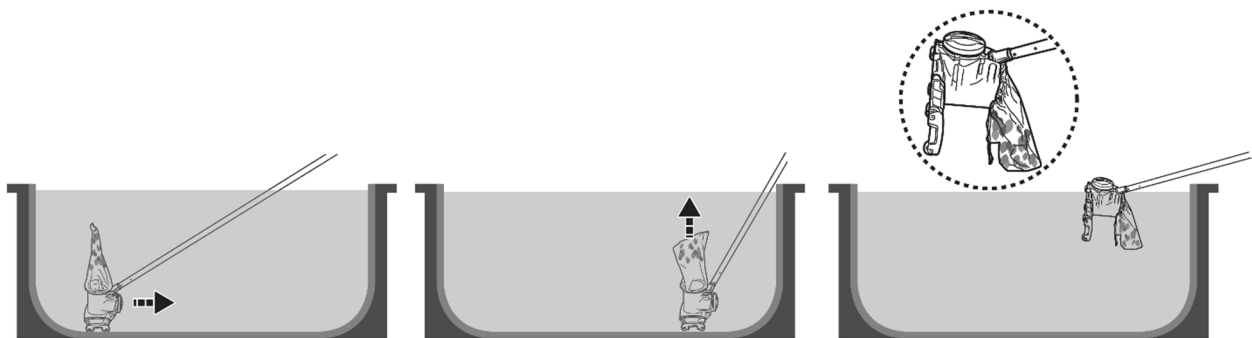


Lichtfarbe	
Blau	Einschalten (betriebsbereit)
Blau - Blinkend	Der Akkuladestand geht zur Neige
Grün	In Betrieb
Grün - Blinkend	Der Akkuladestand geht zur Neige
Grünes Licht aus	Batterie leer (muss aufgeladen werden)
Rot	Laufrad stoppt (Laufrad verstopft).

Um Schmutz effektiv abzusaugen, stellen Sie sicher, dass der Pool-Sauger flach auf dem Poolboden liegt, während Sie ihn in regelmäßigen Bewegungen über Schmutzflecken zum Sammeln hin und her lenken. Schmutz wird von vorne, von der Seite und von hinten gesammelt, um den Filterbeutel aufzufüllen.

Überschüssiger Schmutz und Ablagerungen im Pool können das Laufrad verstopfen, das automatisch zum Schutz des Motors stoppt und die Anzeigelampe rot leuchtet. Entfernen Sie das Vakuum aus dem Pool und schalten Sie es aus, bevor Sie den Filterbeutel reinigen und leeren, wenn er voll ist. Um den Betrieb wieder aufzunehmen, drehen Sie den Schaltknopf gegen den Uhrzeigersinn, bis Ausschalten ausgewählt ist, und drehen Sie ihn dann im Uhrzeigersinn, um Einschalten auszuwählen.

- 2) Um das Poolvakuum wiederzugewinnen, bringen Sie es am Pool und drehen Sie es um, bevor Sie es anheben. Dies geschieht, um zu verhindern, dass Schmutz in den Pool zurückstreut (insbesondere wenn Sie den Feinfilterbeutel verwenden), und um zu vermeiden, dass die Stange dabei verbogen wird.



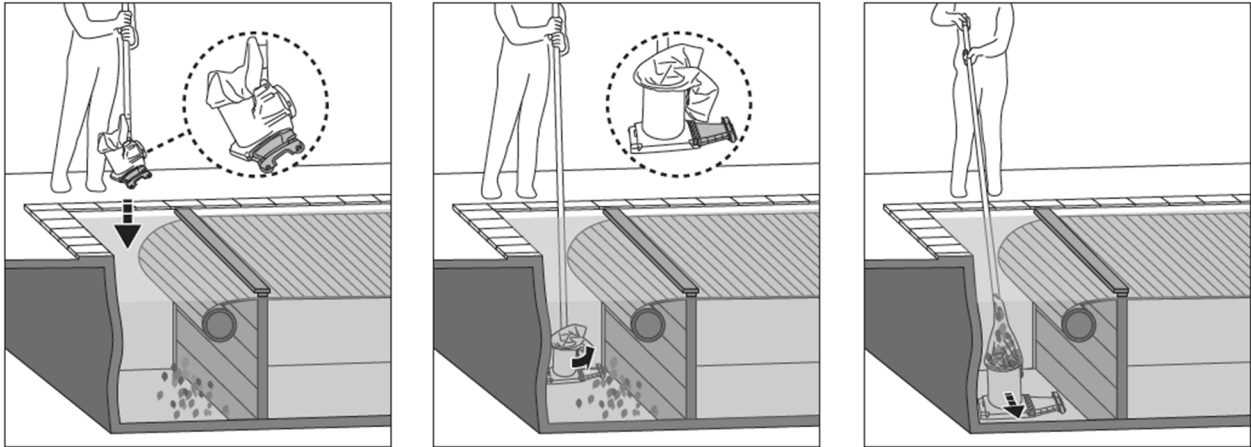
Sobald das Poolvakuum aus dem Wasser ist, dreht sich das Laufrad innerhalb von 2-3 Sekunden nicht mehr. Das LED-Licht leuchtet blau. Wenn der Batteriestand zur Neige geht, blinkt das blaue Licht.

- 3) Spülen Sie den Pool-Sauger nach jedem Gebrauch mit frischem Wasser. Verwenden Sie KEIN aggressives Reinigungsmittel.
- 4) Trocknen Sie den Ladeanschluss und die Stifte gründlich ab (TIPPS: Trocknen Sie sie mit Wattestäbchen)

Absaugen des versenkten Fachs einer automatischen Lamellenabdeckung

WARNUNG! Beachten Sie vorher alle Sicherheitswarnungen in der Anleitung Ihrer automatischen Lamellenabdeckung bezüglich dieses Reinigungsvorgangs.

- Der erforderliche Mindestabstand für das Eintauchen des Pool-Saugers in das versenkte Fach beträgt 30 cm (12in).



- Entfernen Sie das Lattenrost und rollen Sie die Pool-Lamelle gemäß den Anweisungen in der Anleitung Ihrer Pool-Abdeckung aus.
- Lösen Sie eine Verlängerung des Pool-Saugers, bevor Sie ihn in den Pool eintauchen.
- Befestigen Sie eine Teleskopstange (nicht mitgeliefert) am Griff des Pool-Saugers, wie in der Anleitung beschrieben.
- Schalten Sie den Pool-Sauger ein und richten Sie ihn vor dem Eintauchen wie in der Abbildung oben gezeigt aus.
- Sobald der Sauger den Boden des Pools erreicht hat, richten Sie ihn parallel zur Länge des Pools aus (siehe Abbildung oben) und beginnen Sie mit dem Absaugen des versenkten Fachs.

REINIGEN DES FILTERBEUTELS / FILTEREINSATZ

Hinweis: Der Beutel des Filtereinsatzes ist nicht bei jedem Modell im Lieferumfang enthalten.

VORSICHT! Stellen Sie sicher, dass das Poolvakuum ausgeschaltet ist, bevor Sie den Filterbeutel/Filtereinsatz reinigen.

Regelmäßiges Waschen des Filterbeutels und des Filtereinsatzes trägt zum Erhalt einer guten Saugleistung und eines optimalen Kontakts zwischen dem Sauger und dem Beckenboden während des Betriebes bei.

Stellen Sie den Reiniger auf eine ebene Fläche. Drücken Sie auf den Schnurbefestigung, um den Beutel vom Hauptkörper zu lösen. Es wird empfohlen, den Filterbeutel nach jedem Reinigungszyklus des Pools mit einem Wasserstrahl ab säubern.

Sprühen Sie in einem Winkel, um die Verschmutzungen zwischen den Falten des Filtereinsatzes zu entfernen. Verwenden Sie niemals einen Hochdruckreiniger, da dieser den Filtereinsatz beschädigt.

Um hartnäckigen Schmutz oder Ablagerungen bei einem verstopften Filter zu entfernen, waschen Sie den Filterbeutel in einer Waschmaschine bei einer Wassertemperatur von 30°C.

Die Filtereinsätze weichen Sie hingegen in mit Reinigungsmittel versetztem Wasser für 2 bis 3 Stunden ein, und spülen sie anschließend mit einem Wasserstrahl ab.

Wenn das Bürsten als notwendig erachtet wird, reinigen Sie es vorsichtig mit einer weichen Bürste, um Beschädigungen zu vermeiden.

WARTUNG & LAGERUNG

HINWEIS:

1. Achten Sie darauf, die Bereiche um den Ladeanschluss und die Wassersensoren nach jedem Gebrauch zu reinigen und zu trocknen, um die Bildung von Ablagerungen (Nebenprodukt einer natürlichen chemischen Reaktion zwischen elektrischem Strom und Wasser) zu vermeiden. Andernfalls können Sie die Ablagerungen durch leichtes Schrubben mit einem mit Zitronensaft oder Essig getränkten Wattestäbchen entfernen.
2. Während der Lagerung entlädt sich der Akku von selbst. Achten Sie darauf, den Poolsauger auf 30 - 50 % Akkukapazität aufzuladen, bevor er weggelegt wird.
3. Sie müssen den Akku mindestens alle drei Monate aufladen, auch, wenn das Gerät nicht benutzt wird
 - Ziehen Sie den externen Adapter aus der Steckdose und das Ladekabel aus dem Ladestecker.
 - Nehmen Sie das Zubehör vom Pool-Sauger ab. Spülen Sie gegebenenfalls den Pool-Sauger und das Zubehör mit frischem Wasser aus. KEIN aggressives Reinigungsmittel verwenden.
 - Trocknen Sie das Poolvakuum vor der Lagerung.
 - Reinigen und trocknen Sie den Pool-Sauger und das Zubehör mit einem feuchten Tuch.
 - Lagern Sie sie an einem gut belüfteten Ort, fern von Sonnenlicht, Hitze, Zündquellen, Poolchemikalien und Kindern. Die Umgebungstemperatur für die Lagerung sollte 10°C - 25°C betragen. HINWEIS: Eine höhere Lagertemperatur kann die Batterielebensdauer verkürzen.

WARNUNG!

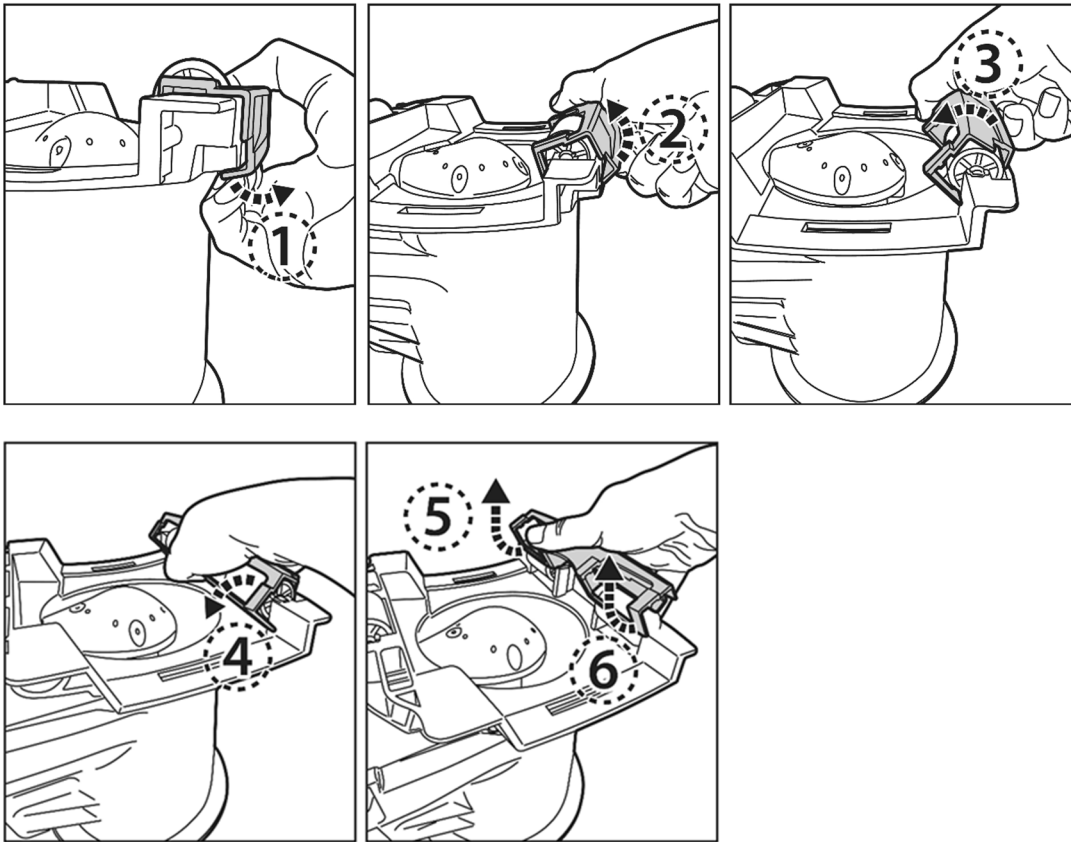
Versuchen Sie unter keinen Umständen, das Hauptgerät zu zerlegen und das Laufrad, den Motor und die Batterie selbst auszutauschen.

VORSICHT!

- Übermäßige Hitze kann die Batterie beschädigen und dadurch die Lebensdauer Ihres Pool-Saugers verkürzen.
- Wenden Sie sich bezüglich des Batteriewechsels an Ihren Händler, wenn Folgendes passiert:
 - Der Akku wird nicht vollständig aufgeladen.
 - Die Batteriebetriebszeit wird spürbar reduziert. Beobachten und notieren Sie die Laufzeiten der ersten Operationen (bei voller Ladung). Verwenden Sie diese Laufzeiten als Referenzpunkt für den Vergleich mit zukünftigen Laufzeiten.
- Die Batterie muss aus dem Pool-Sauger entfernt werden, bevor sie verschrottet wird.
- Die Batterie ist gemäß den örtlichen Verordnungen oder Vorschriften sicher zu entsorgen.

HINWEIS: Eine falsche Wartung kann die Batterielebensdauer verkürzen und die Kapazität beeinträchtigen.

Austausch der Vorderräder



Nehmen Sie zuerst den Rahmen ab, bevor Sie die beschädigten Vorderräder lösen.

1. Hebeln Sie die Rahmenkante an und heben Sie sie an.

2/3/4. Drehen Sie den Rahmen auf das andere Ende.

5. Ergreifen Sie ein Ende und heben Sie es an.

6. Heben Sie das andere Ende an, um den gesamten Rahmen abzunehmen und das beschädigte Rad auszutauschen.

BATTERIE ENTSORGUNG (Von einem autorisierten Techniker durchführen)

Ihr Pool-Sauger ist mit einem wartungsfreien wiederaufladbaren Lithium-Ionen-Akku ausgestattet, der ordnungsgemäß entsorgt werden muss. Recycling ist erforderlich; Bitte wenden Sie sich an Ihre örtliche Behörde, um weitere Informationen zu erhalten.

WARNUNG! Versuchen Sie niemals, einen Akku zu zerlegen

- Entfernen Sie alle persönlichen Gegenstände wie Ringe, Armbänder, Halsketten und Uhren, wenn der Akku aus dem Pool-Sauger heraus verdrahtet ist.
- Eine Batterie kann einen Kurzschlussstrom erzeugen, der hoch genug ist, um einen Ring (oder einen ähnlichen Gegenstand) mit Metall zu verschweißen, was zu schweren Verbrennungen führt.
- Tragen Sie beim Entfernen des Akkus einen vollständigen Augenschutz, Handschuhe und Schutzkleidung.

- Berühren Sie die Drähte gänzlich nicht und vermeiden Sie den Kontakt zwischen ihnen und Metallgegenständen, da dies zu Funkenbildung und/oder Kurzschluss der Batterie führen kann.
- Rauchen Sie niemals und lassen Sie keinen Funken oder keine Flamme in der Nähe der Batterie oder des Pool-Saugers.
- Setzen Sie den Akku keinem Feuer oder starker Hitze aus, da dies zu einer Explosion führen kann.

VORSICHT!

Wenn ein Batterieleck auftritt, vermeiden Sie jeglichen Kontakt mit den austretenden Flüssigkeiten und legen Sie die beschädigte Batterie in eine Plastiktüte.

- Wenn auslaufende Flüssigkeiten mit Haut und Kleidung in Berührung kommen, sofort mit viel Wasser und Seife waschen.
- Wenn auslaufende Flüssigkeiten mit den Augen in Kontakt kommen, reiben Sie sie nicht und spülen Sie sie sofort mindestens 15 Minuten lang mit kaltem fließendem Wasser. Suchen Sie so schnell wie möglich einen Arzt auf.

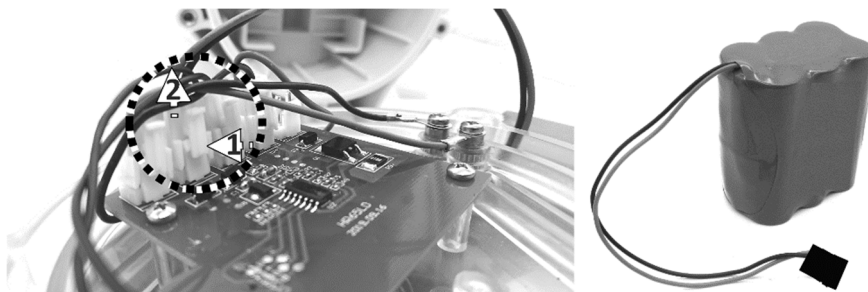
Entfernen den Akku nur zu dessen Entsorgung (von einem autorisierten Techniker durchzuführen)

Empfohlene Werkzeuge (nicht im Lieferumfang enthalten): Schraubendreher.
WARNUNG! Das Poolvakuum muss vor dem Entfernen des Akkus vom Stromnetz getrennt werden.



1. Stellen Sie den Pool-Sauger auf eine ebene Fläche. Lösen Sie mit dem Schraubendreher die Schrauben an der hinteren Abdeckung. Entfernen Sie die Batterie aus der Kammer.



2. Drücken Sie zum Abziehen des Batterieanschlusskabels auf den Clip des Steckers, um ihn herauszuziehen. **HINWEIS:** Wickeln Sie den Stecker sofort mit Isolierband um, um Kurzschlüsse durch den Kontakt beider Kabelklemmen zu vermeiden.



FEHLERBEHEBUNG

Problem	Mögliche Ursache	Lösung
Der Reiniger arbeitet nicht unter Wasser (nach 5-10 Sekunden).	Flecken auf Wassersensoren	Die Flecken können mit einem mit Zitronen- oder Essigsaft getränkten Wattestäbchen entfernt werden, um die Bereiche um die Wassersensoren zu reinigen.
	Leerer Akku	Laden Sie den Pool-Sauger auf.
Fängt die Trümmer nicht ein / Ablagerungen sind in den Pool gelangt	Niedriger Batteriestatus	Laden Sie den Pool-Sauger auf.
	Blockiertes Laufrad	Entfernen Sie den Pool-Sauger aus dem Wasser und drehen Sie den Knopf gegen den Uhrzeigersinn, um ihn auszuschalten. Überprüfen Sie, ob das Laufrad durch große Trümmer blockiert ist. Entfernen Sie die Rückstände. Wenden Sie sich bei Bedarf an Ihren Händler, um weitere Anweisungen zu erhalten. WARNUNG! Stellen Sie sicher, dass der Pool-Sauger ausgeschaltet ist, bevor Sie das Gerät warten.
	Laufrad kaputt	Wenden Sie sich zum Austausch an Ihren Händler.
	Filterbeutel ist voll / verstopft	Reinigen Sie den Filterbeutel.
Das Rad hat sich von der Verkleidung gelöst	Prüfen Sie, ob das Rad/die Radhalterung defekt ist.	Erneuern Sie das Rad/die Radhalterung
Die Ladezeit ist länger als angegeben	Verschmutzte Ladestifte	Die Flecken können mit einem mit Zitronen- oder Essigsaft getränkten Wattestäbchen entfernt werden, um die Bereiche um die Ladestifte zu reinigen.
Reiniger kann nicht aufgeladen werden	Batterie beschädigt	Wenden Sie sich an den Händler, um die Batterie auszutauschen. WARNUNG! Tauschen Sie die Batterie NICHT selbst aus. Dies kann zu schweren oder tödlichen Verletzungen führen und die Garantie erlischt.
	Der Ladestecker ist nicht richtig an den externen Adapter und den Pool-Sauger angeschlossen.	Siehe Bedienungsanleitung und schließen Sie das Ladezubehör richtig an.
	Externer Adapter ist außer Betrieb	Wenden Sie sich zum Austausch an den Händler. WARNUNG! Die Verwendung eines falschen externen Adapters führt zur Beschädigung des Pool-Saugers/der Batterie und zum Erlöschen der Garantie.
Environmental Programmes, WEEE European Directive		
	Beachten Sie bitte die Vorschriften der Europäischen Union und helfen Sie, die Umwelt zu schützen. Geben Sie unbrauchbare elektronische Geräte an einer von Ihrer Stadtverwaltung vorgegebenen Stelle zur sachgemäßen Entsorgung von elektrischen und elektronischen Komponenten ab. Entsorgen Sie sie nicht über den Hausmüll. Entfernen Sie bei Produkten mit austauschbaren Batterien die Batterien, bevor Sie das Produkt entsorgen.	
	© 2021 BWT Holding GmbH. 21011004 Alle Rechte vorbehalten. Dieses Dokument darf weder ganz noch teilweise in irgendeiner elektronischen oder mechanischen Weise oder mithilfe von irgendwelchen Medien ohne vorherige schriftliche Genehmigung von BWT Holding GmbH reproduziert, weitergegeben, fotokopiert, aufgenommen oder in sonstiger Weise vervielfältigt werden. (V1)	

Wenn eine Kopie dieser Bedienungsanleitung erforderlich ist, wenden Sie sich bitte per E-Mail an unseren Kundendienst.


ANLEITUNG AUFBEWAHREN

AVERTISSEMENTS DE SÉCURITÉ ET **INSTRUCTIONS**

Les informations contenues dans ce manuel d'instructions vous permettront d'utiliser l'appareil en toute sécurité, à vous protéger ainsi que les autres et à éviter d'endommager l'appareil ou d'autres biens.

CONSERVEZ CES INSTRUCTIONS

AVERTISSEMENT !

- Ceci n'est pas un JOUET. Cet aspirateur de piscine et ses accessoires doivent être maintenus hors de la portée des enfants.
- Ne jamais permettre aux enfants de faire fonctionner ce produit.
- Ce dispositif n'est pas destiné à être utilisé par des personnes ayant des capacités physiques, sensorielles ou mentales diminuées, ou un manque d'expérience et de connaissances, sauf si elles sont sous supervision ou ont reçu des instructions concernant l'utilisation sûre de l'appareil par une personne responsable de leur sécurité.
- Les enfants ne doivent pas jouer avec ce produit.
- Le nettoyage et l'entretien du produit ne doivent pas être effectués par des enfants.
- S'assurer que l'aspirateur de piscine est totalement immergé dans l'eau avant de le mettre en marche. L'appareil doit être complètement immergé dans l'eau afin de fonctionner correctement. Faire fonctionner l'aspirateur de piscine lorsqu'il n'est pas immergé correctement dans l'eau peut endommager l'unité et annuler de ce fait la garantie.
- La profondeur maximale de fonctionnement dans l'eau est de 3 mètres (9.8 pieds).
- Température minimale et maximale de l'eau : 5°C – 35°C.
- Pour recharger la batterie, utilisez uniquement l'unité d'alimentation amovible (adaptateur externe) fournie avec ce produit.
-  unité d'alimentation amovible (adaptateur externe).
- L'aspirateur de piscine ne doit être rechargé qu'avec l'adaptateur externe et la prise de charge livrés avec ce produit.
- À l'effet de recharger la batterie, utiliser seulement l'unité d'alimentation amovible (modèle adaptateur externe : DSS12D-1351000-B / DSS12D-1351000-C / DSS12D-1351000-D/ LX135100U) qui est fourni avec cet aspirateur de piscine pour charger la batterie.
- Connecter le transformateur à une source d'alimentation par l'intermédiaire d'un dispositif à courant différentiel résiduel (DDR) ou d'un disjoncteur de fuite à la terre (GFCI). En cas de doute, consultez un électricien professionnel qualifié.
- Ne pas utiliser cet aspirateur de piscine si un dommage quelconque est détecté.
- Remplacer les pièces endommagées avec des pièces certifiées par le distributeur ou le fabricant.

- Mettre hors tension, débrancher l'adaptateur externe de la source d'alimentation, et débrancher l'adaptateur externe de la prise de chargement avant de séparer l'aspirateur de piscine de la prise de chargement.
- Débrancher l'aspirateur de piscine de l'alimentation principale avant de réaliser la maintenance d'utilisateur telle que le nettoyage du filtre.
- Ne remplacez pas la batterie rechargeable Li-ion préinstallée.
- NE PAS manipuler l'aspirateur de piscine, l'adaptateur externe ou la prise de charge lors de la recharge avec des membres humides et sans chaussures.
- Vous ne devez pas utiliser cet aspirateur de piscine lorsque des personnes / animaux domestiques sont présents dans l'eau.
- NE PAS utiliser cet aspirateur de piscine sans un sac de filtration intact en place, car votre garantie serait annulée de ce fait.
- Danger de piégeage de l'aspiration : Cet aspirateur de piscine produit une aspiration. Ne pas permettre que les cheveux, le corps, ou toutes parties lâches de vos vêtements entrent en contact avec l'orifice d'aspiration de l'aspirateur de piscine pendant son fonctionnement.
- NE JAMAIS introduire des parties du corps, vêtements ou autres objets dans les ouvertures et pièces mobiles de l'aspirateur de piscine.
- NE PAS utiliser ce aspirateur de piscine pour ramasser des substances toxiques, inflammables ou liquide combustibles (comme de l'essence), ni en présence de vapeurs explosives ou inflammables.
- Ne jamais tenter de démonter d'une quelconque façon cet aspirateur de piscine afin de remplacer vous-même la turbine, le moteur ou la batterie.
- Ne jamais introduire les doigts ou un quelconque objet qui toucherait la turbine.
- La batterie intégrée doit être retirée par un technicien qualifié avant d'être mise au rebut.
- Ce aspirateur de piscine contient une batterie qui ne peut être retirée que par des personnes qualifiées.
- Le aspirateur de piscine doit être déconnecté du réseau d'alimentation lors du retrait de la batterie..
- Pour plus de détails sur la mise en rebut la batterie veuillez vous reporter à la section "MISE AU REBUT DE LA BATTERIE" de ce manuel et contactez les autorités locales pour plus d'informations.
- La batterie doit être détruite en toute sécurité conformément aux réglementations locales.

- Adaptateur externe et prise de charge :
 - Ne jamais utiliser l'adaptateur externe et la prise de charge pour tout autre chose que le chargement de la batterie de l'aspirateur de piscine qui est fournie dans le même bloc.
 - L'adaptateur externe et la prise de charge ne doivent pas être utilisés à l'extérieur, ni exposés à la pluie, à l'humidité, à un quelconque liquide ou à la chaleur.

- Le transformateur (ou l'adaptateur externe) doit être situé en dehors de la zone 1.
- Maintenir l'adaptateur externe et la prise de charge hors de la portée des enfants.
- Ne jamais utiliser l'adaptateur externe et la prise de charge si un quelconque dommage est détecté.
- NE PAS manipuler l'adaptateur externe et la prise de charge avec des mains humides.
- Gardez l'adaptateur externe déconnecté de l'alimentation lorsqu'il n'est pas cour d'utilisation.
- Ne jamais tenter d'ouvrir l'adaptateur externe et la prise de chargement.
- Si le cordon d'alimentation de l'adaptateur externe est endommagé, cet adaptateur externe doit être remplacé par le fabricant ou son agent de service pour empêcher des dangers de toute nature.
- S'assurer que l'aspirateur de piscine et la prise de chargement sont complètement secs avant de charger.

MISE EN GARDE !

- Cet aspirateur de piscine est uniquement conçu pour une utilisation sous l'eau ; il ne s'agit pas d'un aspirateur tout usage. NE PAS tenter de l'utiliser pour nettoyer tout autre chose que votre piscine.
- Utiliser uniquement les accessoires originaux livrés avec ce produit.
- Ne pas utiliser cet aspirateur de piscine juste après le nettoyage chimique de la piscine. Il est recommandé de laisser circuler l'eau dans la piscine durant au moins 24-48 heures.
- Si vous prévoyez d'utiliser l'aspirateur dans une piscine d'eau salée, assurez-vous que tout le sel est dissous avant de le placer dans l'eau.
- Ne pas utiliser cet aspirateur de piscine avec un autre aspirateur / nettoyeur électrique simultanément..
- Éviter de ramasser des objets durs ou pointus avec ce produit. Ils peuvent endommager l'aspirateur de piscine et le filtre.
- Pour éviter d'endommager l'adaptateur externe et la prise de charge, ne pas transporter l'aspirateur de piscine par le câble de l'adaptateur externe et ne pas tirer sur le câble pour le débrancher de la source d'alimentation et de la prise de charge.
- Charger l'aspirateur de piscine à l'intérieur dans une zone propre et sèche avec une bonne aération et à l'abri du soleil.
- NE PAS laisser l'aspirateur de piscine chargé pendant plus de 10 heures.
- Si l'aspirateur de piscine n'est pas utilisé pendant une longue période de temps, le séparer de la prise de charge et utiliser un chiffon humide pour nettoyer et sécher l'aspirateur de piscine et ses accessoires. S'assurer de charger l'aspirateur de piscine à 30% - 50% de sa capacité avant de le ranger. Le ranger dans une zone bien aérée éloignée de la lumière du soleil, de la chaleur, de sources d'ignition, des produits chimiques pour la piscine et des enfants. Ne jamais laisser l'aspirateur de piscine branché pour un stockage à long terme. Recharger l'aspirateur de piscine tous les trois mois.
- Toutes les actions concernant le démontage de l'unité principale (c'est-à-dire élimination de la batterie) ne peuvent être effectuées que par un technicien agréé.

Les avertissements et mises en garde ci-dessus ne prétendent pas inclure tous les possibles cas de risques et / ou de blessures graves. Les propriétaires de piscine / spas doivent toujours prendre des précautions supplémentaires et utiliser leur bon sens lorsqu'ils utilisent le produit.

Remarque: Les photos / dessins de produits / pièces de ce manuel sont uniquement à titre de démonstration. Le produit / les pièces dans les photos / dessins peuvent varier en fonction du modèle acheté

Tous les accessoires / pièces illustrés dans ce manuel et le diagramme des pièces sont pas inclus avec chaque modèle.

DÉBUT DES OPÉRATIONS

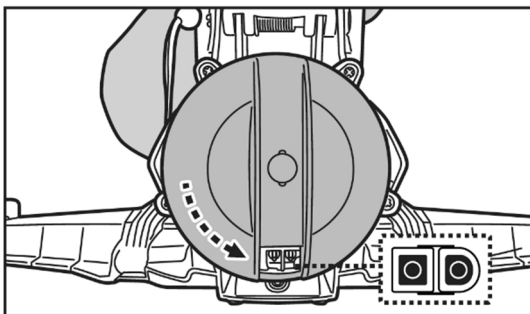
Chargement de la batterie

NOTE IMPORTANTE : Charger complètement l'aspirateur de piscine (environ 6 heures) avant la première utilisation.

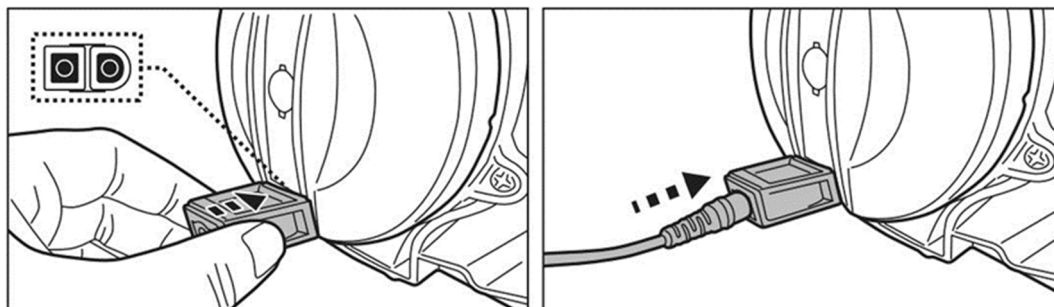
AVERTISSEMENT !

- Utiliser uniquement le transformateur et la prise de charge fournis.
- Assurez-vous que le aspirateur de piscine et le port de charge soient propres et secs avant la charge. (CONSEILS: utilisez un coton-tige pour le sécher ainsi que les broches de charge)
- Les broches de chargement sont étanches. Cependant, l'eau stagnante dans le port et autour des broches pourraient entraîner l'apparition naturelle de taches (un sous-produit de la réaction chimique entre l'eau et les courants électriques). Les taches peuvent être éliminées en frottant légèrement avec un coton-tige imbibé de jus de citron ou de vinaigre.

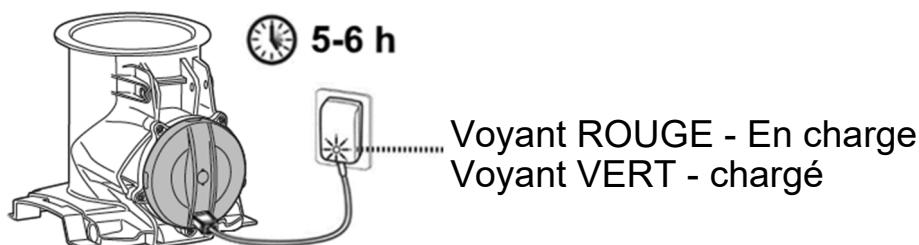
1. Placez l'appareil sur une surface plane. Réglez l'appareil en mode hors tension / en mode de charge en tournant le bouton dans le sens inverse des aiguilles d'une montre jusqu'à ce qu'il s'enclenche et expose complètement le port de charge.



2. Aligned and fix the charging plug to the charging port. **AVERTISSEMENT !** Please do not reverse the charging plug and ensure that the charging plug and the charging port are clean and dry before connecting. Advice: To dry the charging port and the pins, use cotton swabs. Connect the charging cable of the external adapter to the charging port.



3. Connect the external adapter to the power source. The light of the external adapter turns red when the vacuum is charging and green when it is fully charged. Charge it for 5-6 hours for better performance.



- Déconnectez immédiatement l'adaptateur externe de la source d'alimentation si vous observez l'un des éléments suivants :
 - Mauvaise ou inhabituelle odeur
 - Chaleur excessive
 - Déformation, fissures, fuites
 - Fumée
4. Once charging is complete, disconnect the external adapter from the power source and disconnect the charging cable from the charging port. Remove the charging plug from the main unit. **AVERTISSEMENT !** Never leave the charging port when the vacuum is in the water.

Normally, the pool vacuum is designed to operate for up to 75 minutes on a full charge.

Remark : Empty the filter bag regularly. Excessive debris can prevent the motor from operating correctly and shorten the operating time.

REMARQUE : la batterie lithium-ion rechargeable est classée comme une marchandise consommable. Elle a une durée de vie limitée et perdra progressivement sa capacité de charge. Par conséquent, le temps de fonctionnement de l'aspirateur de piscine diminuera

progressivement après des charges et décharges répétées tout au long de sa durée de vie.

Une fois que la durée de vie de la batterie arrive à son terme, reportez-vous à la section «ÉLIMINATION DES BATTERIES» pour les instructions concernant l'élimination de la batterie.

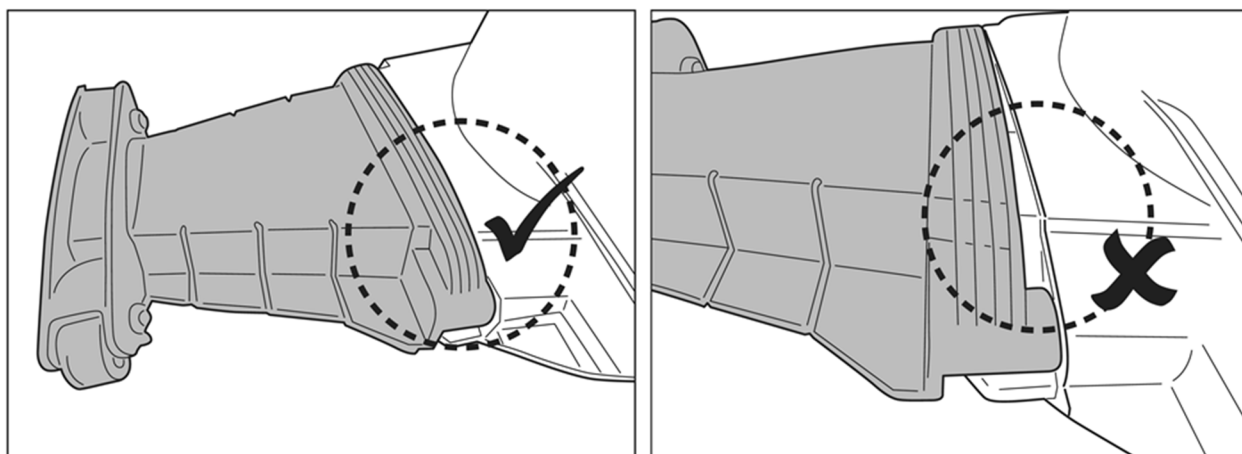
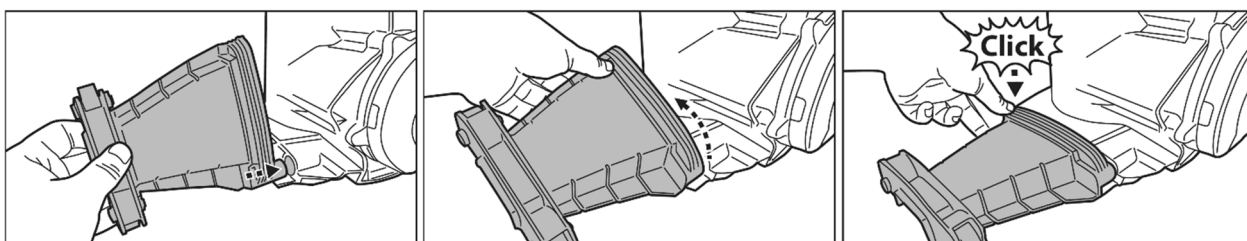
REMARQUE : Ne mettez pas en marche l'aspirateur pendant environ 30 à 40 minutes avant de le recharger.

Réglage avant l'utilisation

Cet aspirateur de piscine a des extensions amovibles qui peuvent être retirées pour nettoyer les zones étroites.

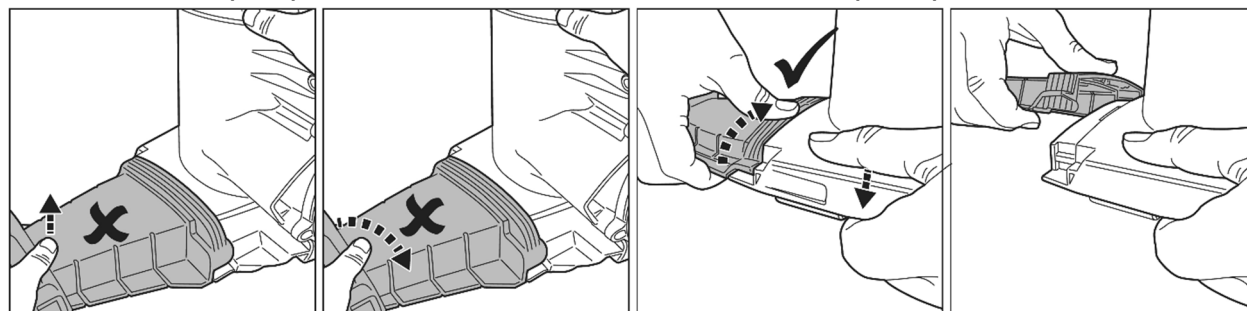
Assemblage des extensions latérales

Insérez la tige de l'extension dans le trou sur le côté du corps principal. Tournez l'extension et appuyez dessus pour la fixer au corps principal. Vous entendrez un « click ».



Démontage des extensions latérales

Inversez les étapes pour démonter les extensions de l'unité principale.

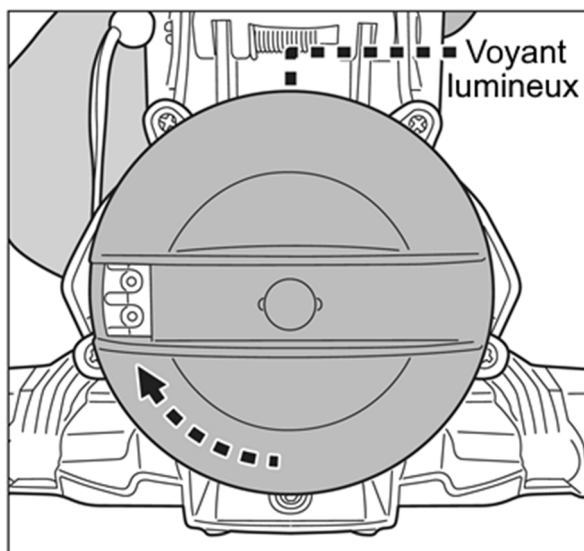


Préparation de la piscine

- Si le liner est cassant, endommagé ou froissé, contactez un professionnel qualifié pour effectuer les réparations nécessaires ou effectuer un remplacement du liner avant d'utiliser l'aspirateur de piscine.
- Si vous utilisez une piscine d'eau salée, assurez-vous que tout le sel soit dissous avant de placer l'aspirateur de piscine dans l'eau.

FONCTIONNEMENT

- 1) Mettre votre aspirateur de piscine sur le côté de votre piscine. Tournez le bouton dans le sens des aiguilles d'une montre jusqu'à ce qu'il « click », cela exposera les capteurs d'eau. Le voyant deviendra bleu. Plongez le dans l'eau, la lumière deviendra immédiatement verte et la turbine commencera à tourner après 4-5 secondes.



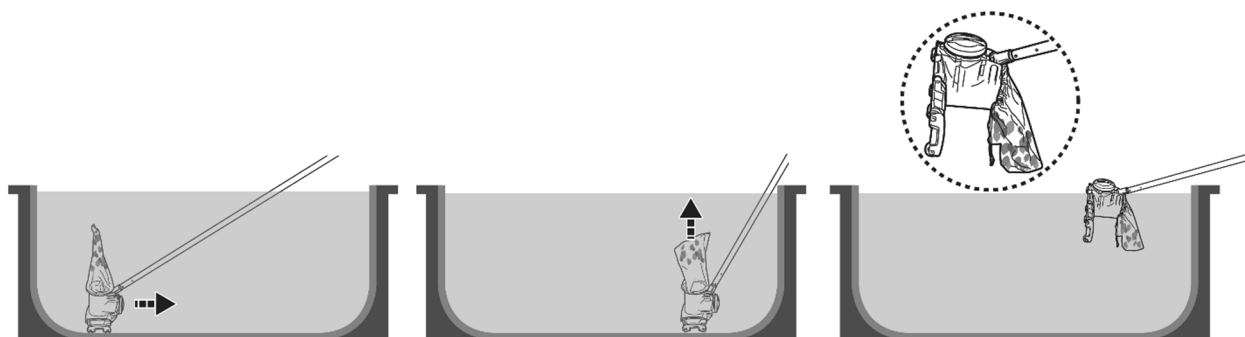
Couleur du voyant	
Bleu	Mise sous tension (prêt à l'emploi)
Bleu-clignotement	Le niveau de la batterie est faible.
Vert	En marche
Vert-clignotement	Le niveau de la batterie est faible.
Voyant vert éteint	Batterie épuisée (à recharger)
Rouge	Turbine arrêtée (turbine bloquée)

Placez l'aspirateur de piscine à plat sur le sol de la piscine. Déplacez-le en direction des débris avec des mouvements réguliers, cela aspirera les débris par le bas, ils seront collectés dans le sac d'aspiration.

De trop de gros débris/saleté, peuvent bloquer la turbine, qui s'arrêtera automatiquement pour protéger le moteur, le voyant lumineux deviendra rouge.

Retirez l'aspirateur de la piscine et éteignez-le avant de le déboucher et de vider le sac filtrant si celui-ci est plein. Pour reprendre l'opération, tournez le bouton dans le sens inverse des aiguilles d'une montre jusqu'à ce qu'il clique sur « arrêt », puis tournez-le à nouveau dans le sens des aiguilles d'une montre sur « marche ».

- 2) Pour récupérer l'aspirateur de la piscine, amenez-le au bord de la piscine et retourner-le à l'envers avant de le soulever. Ceci permettra aux débris de ne pas se disperser dans la piscine (surtout si vous utilisez le sac de filtration fine) et pour éviter de tordre le manche télescopique.



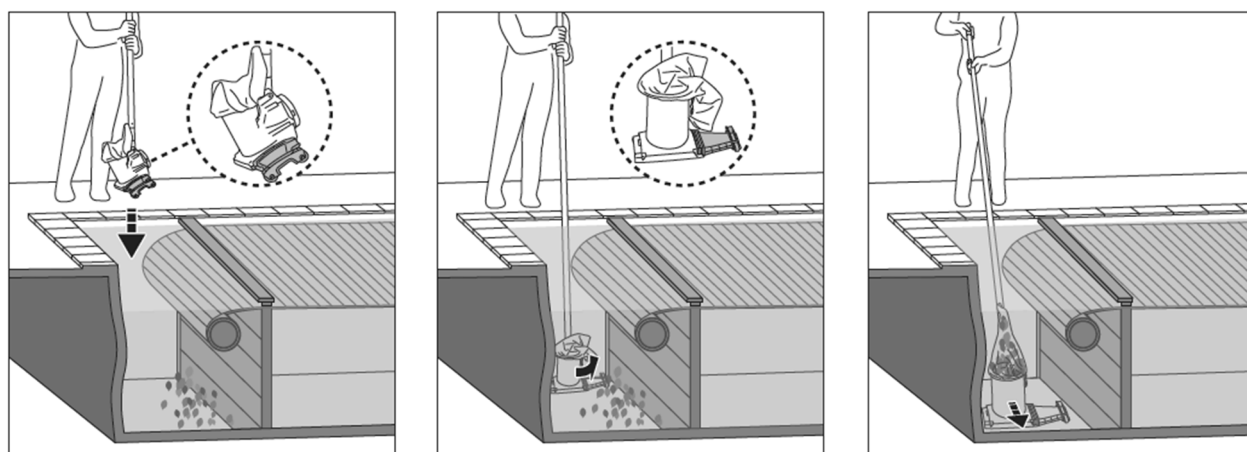
Une fois l'aspirateur hors de l'eau, la turbine cessera de tourner en 2-3 secondes. Le voyant LED deviendra bleue. Si le niveau de la batterie est faible, le voyant bleue clignote.

- 3) Rincez l'aspirateur de la piscine avec de l'eau douce après chaque utilisation. N'utiliser PAS de détergent agressif.
- 4) Séchez soigneusement le port de charge et les broches (Conseil : utilisez un coton-tige pour les sécher).

Passer l'aspirateur dans le compartiment submergé de votre couverture à lattes automatique

AVERTISSEMENT! Prêtez attention à tous les avertissements de sécurité dans le manuel de votre couverture à lattes automatique concernant avant cette opération de nettoyage.

- La distance minimale requise pour l'immersion du vide dans le compartiment submergé est de 30 cm (12 pouces)



- Retirez le caillebotis et déroulez la couverture de la piscine selon les instructions de votre manuel de couverture de piscine.
- Enlevez une des extensions de l'aspirateur avant de l'immerger dans la piscine.
- Fixez un manche télescopique (non fourni) à la poignée d'aspirateur de piscine comme indiqué dans le manuel.
- Mettez l'aspirateur sous tension, puis alignez-le comme indiqué dans l'image ci-dessus avant l'immersion.
- Une fois que l'aspirateur atteint le fond de la piscine, parallèle à la longueur de la piscine comme indiqué ci-dessus, commencez à aspirer le compartiment submergé.

NETTOYER LE SAC DE FILTRATION / FILTRE CARTOUCHE

Attention : Le sac de filtration à cartouche n'est pas nécessairement inclus dans chaque modèle.

MISE EN GARDE ! Assurez-vous que l'aspirateur est éteint avant de nettoyer le sac de filtration/filtre cartouche.

Le nettoyage régulier du sac filtrant et du filtre à cartouche permet d'assurer une bonne aspiration et un contact étroit entre l'aspirateur et le fond de la piscine pendant l'opération. Placez l'aspirateur sur une surface plate. Appuyez sur l'attache du cordon pour libérer le sac du corps principal.

Il est recommandé de laver le sac filtrant avec un jet d'eau après chaque cycle de nettoyage de la piscine. Pulvérisez en biais pour éliminer les débris entre les plis de la filtre à cartouche. N'utilisez jamais de nettoyeur haute pression, car cela endommagerait les cartouches. Pour éliminer les saletés tenaces ou l'écume d'un filtre bouché, lavez le sac filtrant dans une machine à laver à une température de 30 °C. Pour le filtre à cartouche, le faire tremper dans de l'eau avec du détergent pendant 2 à 3 heures, puis le rincer au jet d'eau.

Si vous devez le brossez, utilisez uniquement une brosse douce pour le nettoyer soigneusement et délicatement afin d'éviter tout dommage.

MAINTENANCE ET STOCKAGE

NOTE :

1. Assurez-vous de nettoyer et de sécher les zones autour du port de charge et des capteurs d'eau après chaque utilisation pour éviter la formation de taches (sous-produit d'une réaction chimique naturelle entre le courant électrique et l'eau). Les taches peuvent être éliminées grâce à un coton-tige imbibé de jus de citron ou de vinaigre.
2. La batterie se décharge toute seule pendant le stockage. S'assurer de recharger l'aspirateur électrique à 30%- 50% avant de le stocker.
3. Recharger la batterie au minimum une fois tous les trois mois lorsqu'elle n'est pas fréquemment utilisée.
 - Débrancher l'adaptateur externe de la prise et débrancher le câble de la prise de charge.
 - Séparer les accessoires de l'aspirateur de piscine. Si nécessaire, rincer l'aspirateur de piscine et les accessoires à l'eau douce. Ne pas utiliser de savon agressif.
 - Séchez l'aspirateur avant le stockage
 - Utiliser un chiffon humide pour nettoyer et sécher l'aspirateur de piscine et ses accessoires.
 - Les ranger dans une zone bien aérée éloignée de la lumière du soleil, de la chaleur, des sources d'ignition et des produits chimiques pour la piscine et tenir hors de la portée des enfants. La température ambiante de stockage doit être de 10°C – 25°C. NOTE : Une température de stockage plus élevée peut réduire la vie de la batterie.

AVERTISSEMENT !

En aucun cas, vous ne devez tenter de démonter l'aspirateur de piscine et de remplacer la turbine, le moteur et la batterie de par vous-même.

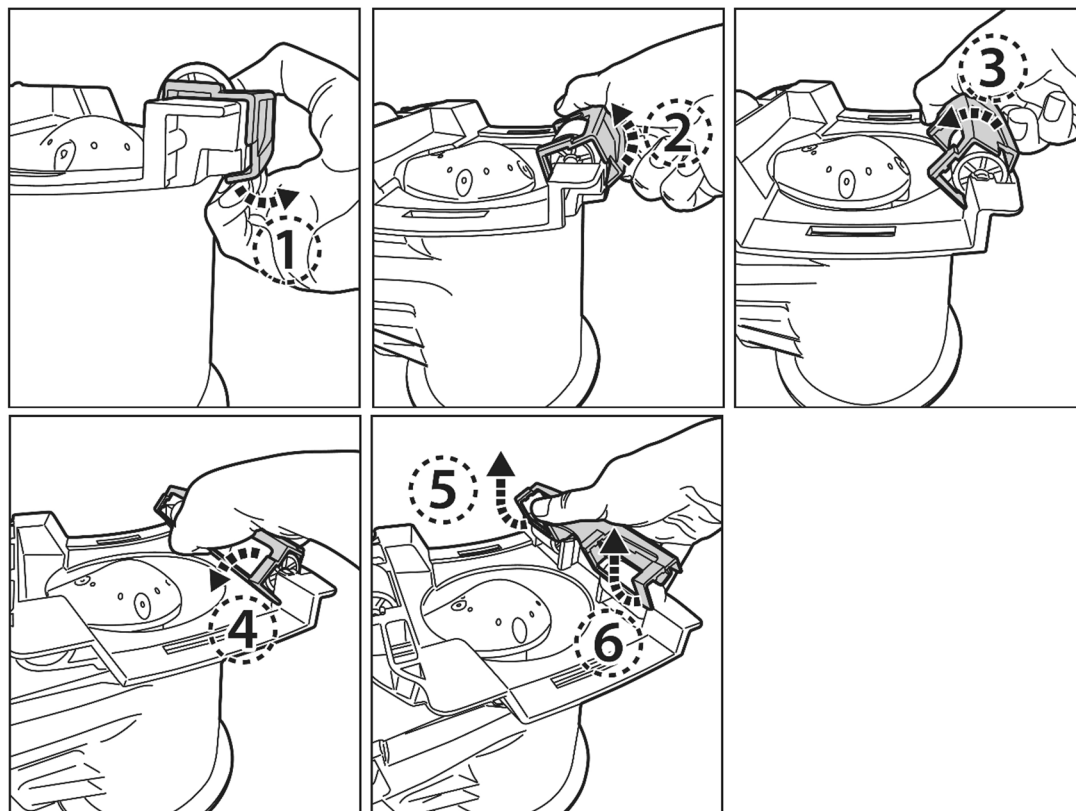
MISE EN GARDE !

- La chaleur excessive peut endommager la batterie et réduire par conséquent sa durée de vie.

- Consultez votre revendeur concernant le remplacement de la batterie si :
 - La batterie ne charge pas complètement.
 - Le temps de fonctionnement de la batterie est significativement réduit. Observer et noter le temps de fonctionnement pendant les premières utilisations (à pleine charge). Utiliser cette information comme point de référence pour comparer le temps de fonctionnement.
- La batterie doit être retirée de l'aspirateur de piscine avant d'être éliminée.
- La batterie doit être éliminée sous une forme sûre et conformément aux ordonnances ou réglementations locales.

NOTE : Une maintenance incorrecte peut réduire la durée de vie de la batterie et affecter de ce fait sa capacité.

Remplacement des roues avant



Avant de détacher les roues avant endommagées, vous devrez détacher le cadre.

1. Poussez et soulevez le bord du cadre.
- 2/3/4. Faites pivoter le cadre vers l'autre extrémité.
5. Prenez une extrémité et soulevez-la.
6. Soulevez l'autre extrémité pour détacher le cadre afin de remplacer la roue endommagée.

ÉLIMINATION DES BATTERIES (réaliser par un technicien agréé)

Votre aspirateur de piscine est équipé d'un bloc de batteries rechargeables au lithium (aucune maintenance nécessaire), qui doit être éliminé correctement. Son recyclage est

requis ; veuillez contacter les autorités locales de votre région pour une plus ample information.

AVERTISSEMENT ! Ne jamais tenter de démonter un bloc de batteries

- Retirer tous les objets personnels tels que bagues, bracelets, colliers et montres lorsque le bloc de batteries n'est pas connecté à l'aspirateur de piscine.
- Une batterie peut produire un courant de court-circuit suffisamment élevé pour souder une bague (ou un article similaire) en métal, causant ainsi une grave brûlure dans le processus.
- Porter un protecteur complet pour les yeux, des gants et des vêtements de protection lorsque le bloc de batteries est retiré.
- Éviter absolument de toucher les fils et éviter de leur permettre de faire contact avec tous objets métalliques, ce qui pourrait causer une émission d'étincelles et/ou court-circuiter la batterie.
- Ne jamais fumer ni permettre qu'une étincelle ou une flamme ne se produise dans le voisinage de la batterie ou de l'aspirateur de piscine.
- Ne pas exposer la batterie au feu ou à une chaleur intense car cela pourrait produire une explosion.

MISE EN GARDE !

Si une fuite de la batterie se produit, éviter le contact avec les liquides de fuite et placer la batterie endommagée dans un sac en plastique.

- Si les liquides de fuite entrent en contact avec la peau et les vêtements, les laver immédiatement avec une grande quantité de savon et d'eau.
- Si les liquides de fluides entrent en contact avec les yeux, ne pas se frotter les yeux, rincer immédiatement les yeux à l'eau courante froide pendant 15 minutes au moins et ne pas les frotter. Demander une assistance médicale le plus rapidement possible.

Comment retirer le bloc de batteries uniquement à des fins de recyclage de la batterie (Ceci doit être réalisé par un technicien autorisé)

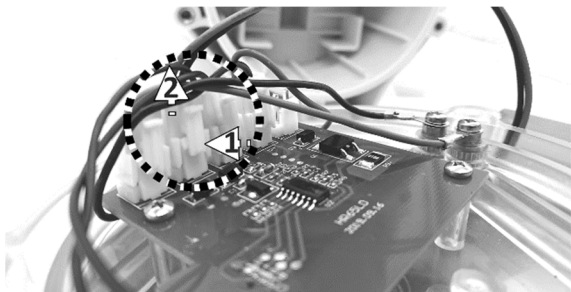
Outils recommandés (non inclus) : Tournevis.

AVERTISSEMENT ! L'aspirateur de piscine doit être débranché du secteur avant de retirer la batterie.



1. Placez l'aspirateur de piscine sur une surface plate. Utilisez le tournevis pour desserrer les vis du couvercle arrière. Retirez la batterie du module.



2. Pour détacher le fil de connexion de la batterie, appuyez sur le clip du connecteur pour le retirer. **REMARQUE** : Enveloppez immédiatement le connecteur avec du ruban isolant afin d'éviter tout court-circuit provoqué par le contact des deux bornes de fil.



REPÉRAGE DE PANNES

Problème	Cause possible	Solution
Le nettoyeur ne commence pas à travailler sous l'eau (après 5 à 10 secondes)	Capteurs d'eau tachés	Les taches peuvent être éliminées en utilisant un coton-tige imbibé de jus de citron ou de vinaigre pour nettoyer les zones autour des capteurs d'eau.
	La batterie est épuisée	Recharger la batterie.
L'aspirateur de piscine ne capture pas les débris / les débris ont fui dans la piscine	Batterie faible	Recharger la batterie.
	La turbine est bloquée	Retirez l'aspirateur de piscine de l'eau et tournez le bouton dans le sens inverse des aiguilles d'une montre pour éteindre l'aspirateur. Vérifiez si la turbine est coincée par de gros débris. Retirez les débris. Si nécessaire, contactez votre revendeur pour plus d'instructions. AVERTISSEMENT ! Assurez-vous que l'aspirateur de piscine est éteint avant d'effectuer l'entretien de l'unité.
	La turbine est cassée	Contactez votre concessionnaire pour le remplacement de la turbine.
	Le filtre est plein / obstrué	Nettoyer le filtre.
La roulette s'est détachée de l'appareil.	Vérifiez si la roulette/son support est cassé/e.	Si c'est le cas, remplacez-la/le
Le temps de charge est plus long que spécifié	Broches de charge tachées	Les taches peuvent être éliminées en utilisant un coton-tige imbibé de jus de citron ou de vinaigre pour nettoyer les zones autour des capteurs d'eau.
L'aspirateur de piscine ne peut pas être chargé / rechargé	La batterie est endommagée	Contactez le concessionnaire pour le remplacement de la batterie. AVERTISSEMENT ! NE PAS ouvrir l'aspirateur de piscine et remplacer la batterie de par vous-même. Cela pourrait causer des blessures graves ou mortelles et la garantie serait annulée de ce fait.
	La prise de charge n'est pas correctement connectée à l'adaptateur externe et à l'aspirateur	Reportez-vous au manuel d'instructions afin de connecter correctement les accessoires de charge.
	L'adaptateur externe n'est plus en état de marche	Contactez votre concessionnaire pour le remplacer. AVERTISSEMENT ! L'utilisation d'un adaptateur externe incorrect donnera pour résultat l'endommagement de l'aspirateur de piscine / batterie et annulera de ce fait la garantie.
Programmes environnementaux, Directive européenne DEEE		
	Veuillez respecter les réglementations de l'Union européenne et aider à protéger l'environnement. Portez les équipements électriques qui ne fonctionnent pas à une installation désignée par votre municipalité qui recycle correctement les équipements électriques et électroniques. Ne les jetez pas dans des poubelles sans triage. Pour les articles contenant des batteries démontables, retirer les batteries avant d'éliminer le produit.	
	© 2021 BWT Holding GmbH. 21011004 Tous droits réservés. Aucune partie de ce document ne peut être reproduite ou transmise sous une forme quelconque ou par tous moyens, électroniques, mécaniques, photocopies, enregistrement ou de toute autre façon, sans l'autorisation écrite préalable de BWT Holding GmbH. (V1)	

Si vous avez besoin d'une copie sur papier de ce manuel d'instructions, veuillez contacter notre service clientèle par email.


CONSERVEZ CES INSTRUCTIONS

AVISOS E INSTRUCCIONES DE SEGURIDAD

La información contenida en este Manual de instrucciones le ayudará a operar el artículo de manera segura, protegerse a sí mismo y a los demás de peligros, y evitar daños el artículo y otras propiedades.

GUARDE ESTAS INSTRUCCIONES

¡ATENCIÓN!

- Este dispositivo no es un JUGUETE. Mantenga a los niños lejos de esta aspiradora de piscina y de sus accesorios.
- Los niños no deben usar este producto.
- Este aparato no está diseñado para ser utilizado por personas con capacidades físicas, sensoriales o mentales disminuidas o alta de experiencia y conocimiento, a menos que estén bajo supervisión o hayan recibido instrucciones para el uso del dispositivo por parte de una persona responsable de su seguridad y entiendan los peligros que entraña.
- Los niños no deben jugar con este producto.
- La limpieza y el mantenimiento del aspiradora de piscina no deben ser realizados por niños.
- Asegúrese de que la aspiradora de piscina esté completamente sumergida en el agua antes de ponerla en funcionamiento. Como mínimo, el agua debe cubrir por completo la aspiradora de piscina para poderla poner en marcha. Si la pone en funcionamiento sin estar correctamente sumergida podría deteriorar la unidad, lo que comportaría una invalidación de la garantía.
- La profundidad máxima a la que se puede usar el dispositivo es de 3 metros.
- Temperatura máxima del agua: 5 °C–35 °C
-  Unidad de alimentación desmontable (adaptador externo).
- La aspiradora de piscina únicamente debe recargarse con el adaptador externo y el enchufe de carga suministrados con este producto.
- Para recargar la batería, utilice exclusivamente la unidad de fuente de alimentación extraíble (número de modelo de adaptador externo: DSS12D-1351000-B / DSS12D-1351000-C / DSS12D-1351000-D/ LX135100U) provista con la aspiradora de piscina.
- Conecte el adaptador externo a una fuente de alimentación mediante un interruptor diferencial (ID) (también conocido como RCD) / un interruptor de circuito por defecto a tierra (GFCI, por sus siglas en inglés). En caso de duda, consulte a un electricista profesional cualificado.
- No use esta aspiradora de piscina si detecta cualquier daño.
- Cambie las piezas dañadas con piezas certificadas por el distribuidor o el fabricante
- Desactive el dispositivo, desconecte el adaptador externo de la fuente de alimentación y desenchufe el adaptador externo de la enchufe de carga antes de retirar la aspiradora de piscina de la enchufe de carga.

- Desconecte la aspiradora de piscina de la corriente general y asegúrese de que esté apagada antes de realizar las tareas de mantenimiento habituales, como limpiar el filtro.
 - NO intente cambiar la batería recargable de iones de litio preinstalada.
 - NO manipule el aspiradora de piscina el adaptador externo y el enchufe de carga mientras se tenga extremidades húmedas y sin zapatos.
 - No debe usar esta aspiradora de piscina si hay personas/mascotas en el agua.
 - NO use esta aspiradora de piscina sin un bolsa filtrante intacto instalados, ya que de lo contrario la garantía quedará anulada.
 - Peligro de atrapamiento por succión: Esta aspiradora de piscina genera succión. No permita que su pelo, cuerpo o prendas sueltas entren en contacto con el orificio de succión de la aspiradora de piscina cuando esté en funcionamiento.
 - No introduzca nunca partes del cuerpo, ropa u otros objetos en las aberturas y piezas móviles de la aspiradora de piscina.
 - NO use este aspiradora de piscina para recoger sustancias líquidas tóxicas, inflamables o combustibles (como gasolina), ni en presencia de vapores explosivos o inflamables.
 - No intente, bajo ninguna circunstancia, desmontar la aspiradora de piscina y sustituir el propulsor, el motor y la batería por sí mismo.
 - Nunca debe introducir los dedos ni ningún objeto para tocar el propulsor.
 - La extracción de la batería incorporada para su eliminación debe realizarla un técnico especializado.
 - Este aspiradora de piscina incluye una batería que solo puede ser desmontada por personal formado.
 - Debe desconectar el aspiradora de piscina de la alimentación eléctrica al retirar la batería.
 - Para obtener más detalles sobre la eliminación de la batería, consulte la sección "ELIMINACIÓN DE LA BATERÍA" de este manual y póngase en contacto con las autoridades locales para obtener más información.
 - La batería debe desecharse de manera segura y de acuerdo con las ordenanzas o regulaciones.
-
- Adaptador externo y enchufe de carga:
 - Sólo debe usar el adaptador externo y la enchufe de carga para recargar la batería de la aspiradora de piscina suministrada en el mismo paquete.
 - El adaptador externo y el enchufe de carga no deben usarse en el exterior, ni deben exponerse a la lluvia, la humedad, líquidos o fuentes de calor.
 - El transformador (o adaptador externo) debe estar situado fuera de la zona 1
 - Mantenga el adaptador externo y la enchufe de carga fuera del alcance de los niños.
 - Nunca debe usar el adaptador externo ni la enchufe de carga si detecta cualquier daño.

- NO coja el adaptador externo ni la enchufe de carga con las manos mojadas.
- Mantenga el adaptador externo desconectado de la corriente eléctrica cuando no lo esté usando.
- No intente abrir el adaptador externo ni la enchufe de carga.
- Si el cable de alimentación del adaptador externo está dañado, el fabricante o su proveedor de servicios debe reemplazar el adaptador externo para prevenir cualquier posible riesgo.
- Asegúrese de que la aspiradora de piscina y la enchufe de carga están completamente secas antes de iniciar la recarga.

¡PRECAUCIÓN!

- Esta aspiradora de piscina sólo está diseñada para ser usada bajo el agua; no es una aspiradora de uso general. NO intente usarla para limpiar una superficie que no sea su piscina/spa.
- Sólo debe usar accesorios originales provistos junto con este producto.
- NO use esta aspiradora de piscina justo después de aplicar el tratamiento de choque a la piscina. Se recomienda dejar circular el agua de la piscina durante al menos 24-48 horas.
- Si tiene una piscina de agua salada, asegúrese de que toda la sal esté disuelta antes de introducir el aspiradora de piscina en el agua.
- NO use este aspiradora de piscina al mismo tiempo que otra aspiradora / aspiradora eléctrica
- Evite recoger objetos duros y afilados con este dispositivo. Podrían dañar la aspiradora de piscina y el filtro.
- Para evitar daños en el adaptador externo y el enchufe de carga, no transporte el aspiradora de piscina por cable del adaptador externo /enchufe de carga y no tire del cable desconectar de la fuente de alimentación y el enchufe de carga.
- Cargue la aspiradora de piscina en un espacio interior, en una zona seca y limpia con buena ventilación y protegida de la luz solar.
- NO deje la aspiradora de piscina cargando durante más de 10 horas.
- Si no va a usar la aspiradora de piscina durante un periodo de tiempo prolongado, sepárela de la enchufe de carga y use un paño húmedo para limpiar y secar la con sus accesorios. Asegúrese de cargar el limpiafondos entre el 30 % y el 50 % de la capacidad de su batería antes de guardarlo. Guárdela en una zona bien ventilada y libre de luz solar, calor, fuentes de ignición y productos químicos para piscina, fuera del alcance de los niños. No deje nunca la aspiradora de piscina conectada si va a guardarla durante un periodo de tiempo prolongado. Recargue la aspiradora de piscina cada tres meses.
- Todas las acciones que comporten desmontar la unidad principal (por ejemplo, la eliminación de la batería) debe llevarlas a cabo exclusivamente un técnico autorizado.

Los avisos y precauciones anteriores pueden no incluir todas posibles situaciones de riesgo y/o lesiones graves. Los propietarios de piscina/spa deben tener siempre mucho cuidado y sentido común al utilizar el producto.

Observación: Las fotografías/ilustraciones del producto o de sus piezas que aparecen en este manual solo se incluyen a modo de muestra. El producto o las piezas que aparecen en las fotografías/ilustraciones pueden variar respecto al modelo adquirido.

Todos los accesorios / piezas en este manual y el diagrama de las partes no están incluidos con todos los modelos

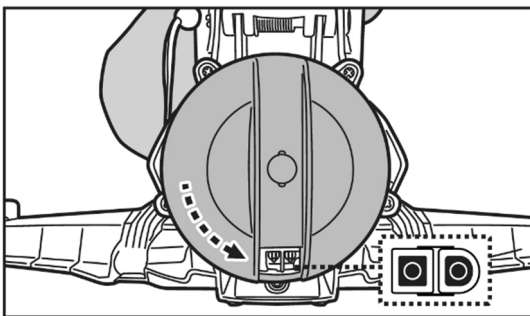
PRIMEROS PASOS

Cargando la batería

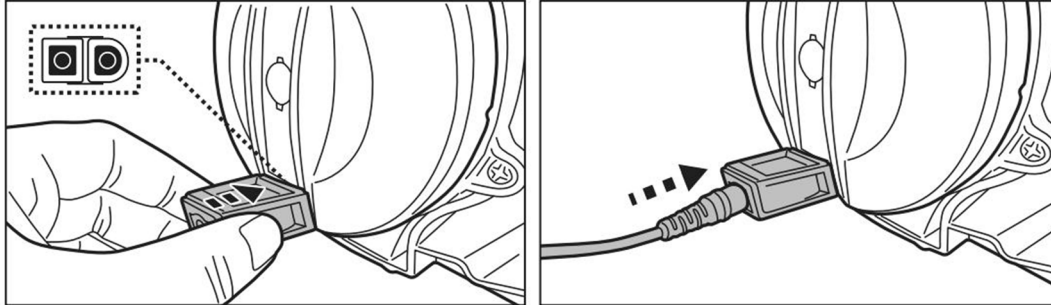
AVISO IMPORTANTE: Recargue completamente el aspiradora de piscina (unas 6 horas) antes de usarlo por primera vez.

¡ATENCIÓN!

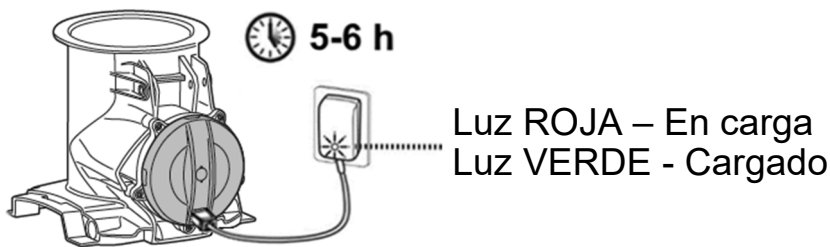
- Solo debe usar el adaptador externo y el enchufe de carga originales incluidos en el producto.
 - Asegúrese de que el aspiradora de piscina y el puerto de carga estén limpios y secos antes de cargar. (CONSEJO: use un bastoncillo de algodón para secarlo, así como los pines de carga)
 - Los pines de carga son impermeables. Sin embargo, el agua estancada en el puerto y alrededor de los pines podría causar manchas naturales (un subproducto de la reacción química entre el agua y las corrientes eléctricas). Las manchas se pueden eliminar frotando ligeramente con un bastoncillo de algodón humedecido con jugo de limón o vinagre.
1. Coloque la unidad sobre una superficie plana. Ajuste la aspiradora de piscina en la posición «Apagado/Modo de carga» girando el interruptor en sentido contrario a las agujas del reloj hasta que haga clic y el puerto de carga quede completamente a la vista.



2. Alinee e inserte el enchufe de carga en el puerto de carga. **ADVERTENCIA:** Asegúrese de no invertir el enchufe de carga y de que tanto el enchufe como el puerto estén limpios y secos antes de la carga. **CONSEJO:** Utilice un bastoncillo de algodón para secar el puerto de carga y las clavijas. Conecte el cable de carga del adaptador externo al enchufe de carga



3. Enchufe el adaptador externo a una toma de corriente. El indicador luminoso del adaptador externo permanecerá en rojo mientras la aspiradora se esté cargando y pasará a verde una vez completada la carga. Cargue el aspirador durante 5-6 horas para optimizar su rendimiento.



- Desconecte inmediatamente el adaptador externo de la fuente de alimentación si detecta cualquiera de las siguientes condiciones:
 - Olor extraño o inusual
 - Calor excesivo
 - Deformación, grietas o fugas
 - Humo
4. Una vez completada la carga, desconecte el adaptador externo de la toma de corriente y desenchufe el cable de carga del puerto de carga. Extraiga asimismo el enchufe de carga de la unidad principal. **ADVERTENCIA:** No deje nunca el enchufe de carga puesto mientras la aspiradora de piscina está en el agua.

Normalmente, la aspiradora de piscina está diseñada para funcionar un máximo de 75 minutos con una carga completa.

NOTA: Limpie el bolsa filtrante regularmente. El exceso de suciedad en el bolsa filtrante aumenta el trabajo del motor y, como consecuencia, disminuye el tiempo de funcionamiento.

HECHO: La batería recargable de iones de litio está clasificada como un producto consumible. Tiene una vida útil limitada y perderá gradualmente su capacidad de retener la carga. Así pues, el tiempo de funcionamiento de la aspiradora de piscina se reducirá gradualmente a medida que se cargue y se descargue la aspiradora por su uso.

Cuando se agote la vida útil de la batería, consulte en el apartado «ELIMINACIÓN DE LA BATERÍA» las instrucciones para eliminar la batería.

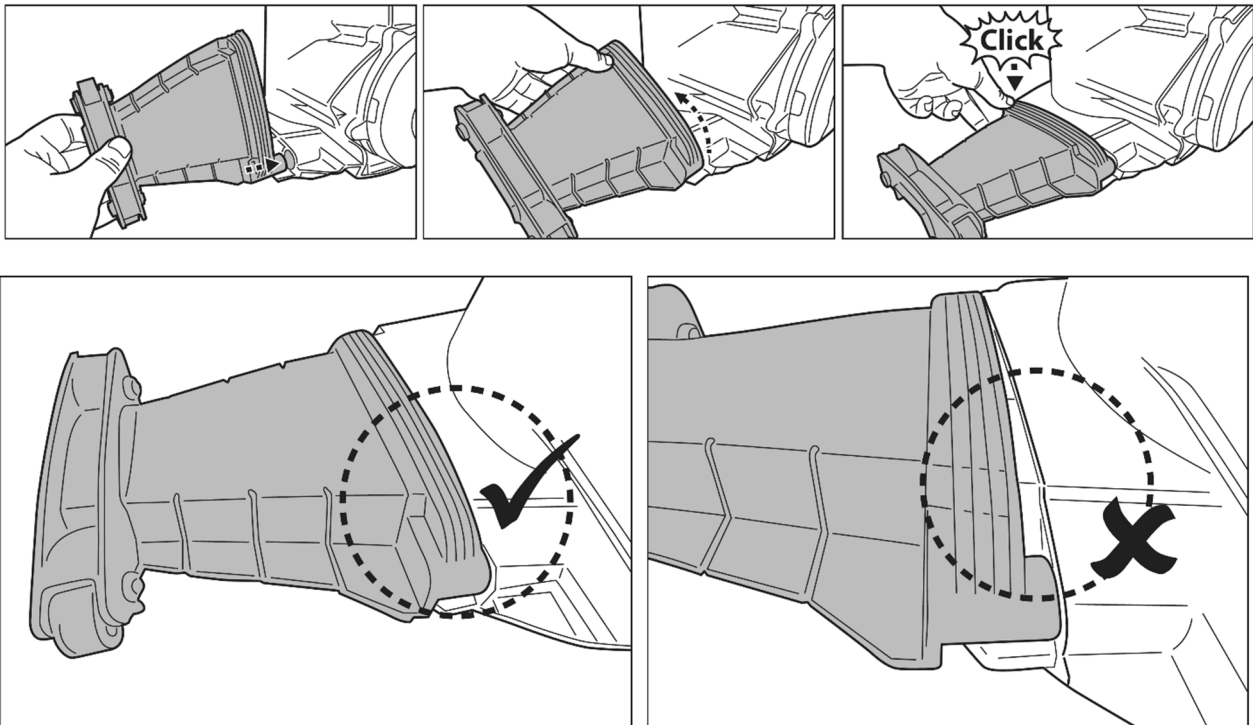
NOTA: Deje reposar la aspiradora de piscina durante unos 30 o 40 minutos antes de volverla a cargar.

Configuración antes de uso

Esta aspiradora de piscina posee extensiones extraíbles que pueden retirarse para limpiar las zonas más pequeñas.

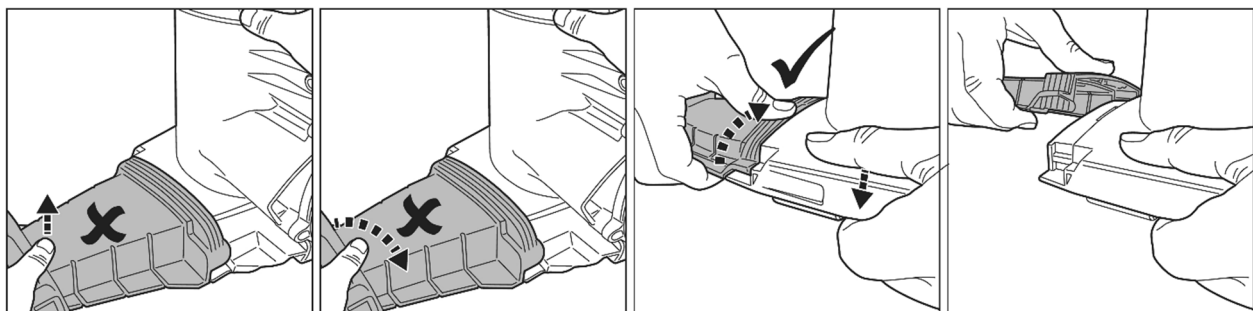
Montaje de las extensiones laterales

Introduzca el vástago de la extensión en el orificio del lateral del cuerpo principal de la aspiradora. Gire la extensión y presiónela hacia abajo para fijarla al cuerpo principal. Cuando ajuste, escuchará un clic.



Desmontaje de las extensiones laterales

Invierta los pasos anteriores para desmontar la extensión de la unidad principal.

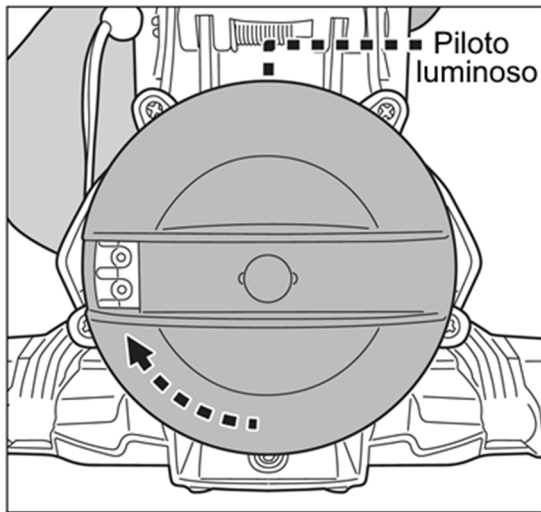


Preparación de la piscina

- Si el revestimiento está resquebrajado, dañado o arrugado, contacte con un profesional cualificado para que realice las reparaciones necesarias o sustituya el revestimiento antes de usar el aspiradora de piscina.
- Si tiene una piscina de agua salada, asegúrese de que toda la sal esté disuelta antes de introducir el aspiradora de piscina en el agua.

FUNCIONAMIENTO

- 1) Sitúe la aspiradora de piscina en un lado de la piscina. Gire el interruptor en el sentido de las agujas del reloj hasta que haga clic y queden a la vista los sensores de agua. El piloto luminoso superior se iluminará en azul. Sumerja la aspiradora de piscina en el agua; al hacerlo, el piloto luminoso se iluminará inmediatamente en verde y, transcurridos unos 4 o 5 segundos, el propulsor empezará a girar.

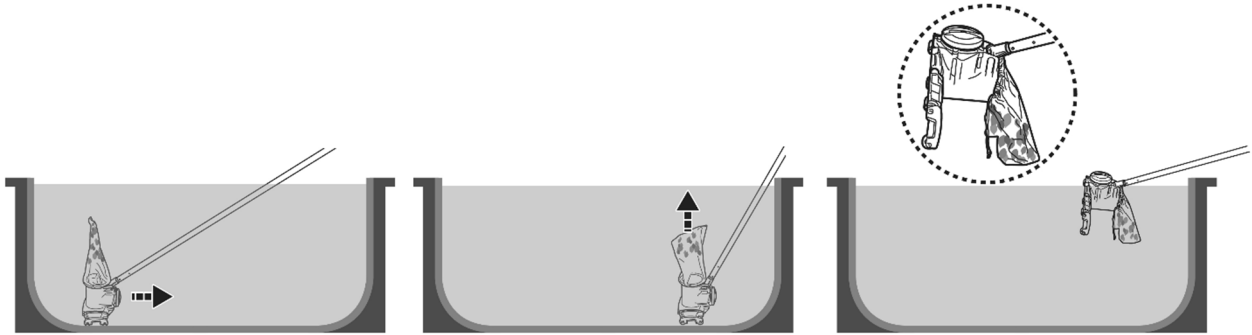


Color del piloto luminoso	
Azul	Encendida (lista para funcionar)
Azul intermitente	Nivel de batería bajo
Verde	En funcionamiento
Verde intermitente	Nivel de batería bajo
Luz verde apagada	Batería agotada (recarga necesaria)
Rojo	Propulsor detenido (propulsor atascado).

Para limpiar toda la suciedad de manera efectiva, asegúrese de que la aspiradora quede plana en el fondo de la piscina y de conducirla de un lado para otro con un movimiento regular por encima de la suciedad acumulada. La aspiradora atrapa la suciedad tanto por la parte frontal como por la laterales y la posterior, hasta llenar la bolsa del filtro.

Si la piscina está excesivamente sucia, el propulsor podría atascarse, lo cual comportaría que automáticamente deje de proteger el motor; en tal caso, el piloto automático se iluminaría en rojo. De ser así, extraiga la aspiradora de la piscina y apáguela antes de desatascarla y de vaciar la bolsa del filtro, si está llena. Para volverla a poner en funcionamiento, gire el interruptor en el sentido contrario a las agujas del reloj, hasta la posición de OFF (apagado) y luego gírelo en el sentido de las agujas del reloj hasta la posición de ON (encendido).

- 2) Para extraer la aspiradora, condúzcala hasta un lateral de la piscina y póngala bocabajo antes de levantarla. Esta operación tiene por fin evitar que la suciedad caiga de nuevo a la piscina (sobre todo si se está utilizando la bolsa de filtro para partículas finas), así como doblar la pértiga en el proceso.



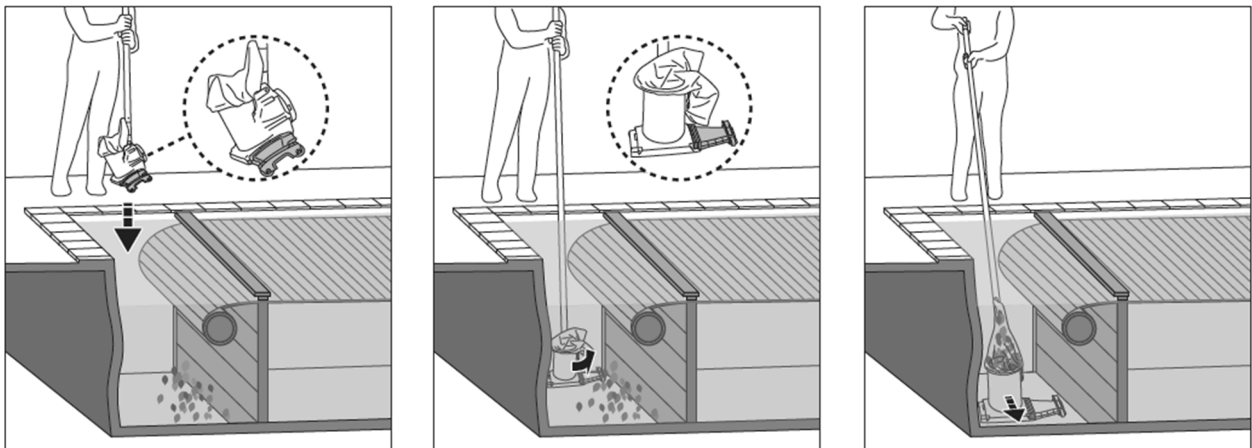
Una vez extraída la aspiradora del agua, el propulsor dejará de girar al cabo de 2 o 3 segundos. El piloto luminoso LED se iluminará en azul. Cuando el nivel de batería sea bajo, el piloto azul parpadeará.

- 3) Aclare la aspiradora de piscina con agua limpia después de cada uso. NO utilice detergentes agresivos.
- 4) Seque bien el puerto de carga y las clavijas. (CONSEJO: Utilice un bastoncillo de algodón para secarlos).

Aspire el compartimento sumergido de su cubierta de listones automática

ADVERTENCIA! Preste atención a todas las advertencias de seguridad en el manual para su cubierta de listones automática antes de esta operación de limpieza.

- La distancia mínima requerida para sumergir la aspiradora en el compartimento sumergido es de 30 cm (12 pulgadas)



- Retire la rejilla y desenrolle la cubierta de la piscina en acuerdo con las instrucciones del manual de la cubierta de la piscina.
- Retire una de las extensiones de la aspiradora antes de sumergirla en la piscina.
- Coloque el mango telescópico (no suministrado) en la manija de la aspiradora de piscina como se indica en el manual.
- Encienda la aspiradora, alinéela como se muestra en la imagen anterior antes de la inmersión.

- Una vez que la aspiradora llegue al fondo de la piscina, paralela a la longitud de la piscina como se indicó anteriormente, comience a aspirar el compartimento sumergido.

LIMPIEZA DEL BOLSA DEL FILTRO / FILTRO CARTUCHO

Aviso: No todos los modelos incluyen bolsa de filtro cartucho.

ADVERTENCIA: Asegúrese de que la aspiradora de piscina esté apagada antes de limpiar la bolsa del filtro/filtro cartucho.

Limpiar de forma regular la bolsa del filtro y el filtro cartucho ayuda a mantener una buena succión y contacto entre la aspiradora y el suelo de la piscina durante su uso.

Coloque la aspiradora sobre una superficie plana. Presione el cierre de muelle para soltar la bolsa del cuerpo principal de la aspiradora.

Se recomienda limpiar la bolsa del filtro con agua de chorro después del ciclo de limpieza de la piscina.

Rocíe el agua para deshacerse de la suciedad que hay entre los pliegues del filtro cartucho. No use nunca agua a presión, ya que pueden dañarse los cartuchos.

Para eliminar la suciedad incrustada o difícil de una bolsa de filtro obstruida, lave la bolsa del filtro en la lavadora a 30°C. En el caso del filtro cartucho, sumérgalo en agua con detergente durante 2-3 horas y aclárelo con agua de chorro. Si considera necesario cepillarla, límpiela con delicadeza con un cepillo suave para evitar deteriorarla.

MANTENIMIENTO Y ALMACENAMIENTO

NOTA:

1. Asegúrese de limpiar y secar las áreas alrededor del puerto de carga y los sensores de agua después de cada uso para evitar manchas (un subproducto de una reacción química natural entre la corriente eléctrica y el agua). Las manchas se pueden quitar con un bastoncillo de algodón empapado en jugo de limón o vinagre.
2. La batería se descarga durante los periodos de almacenamiento. Asegúrese de cargar el aspiradora de piscina entre el 30 % y el 50 % de la capacidad de su batería antes de guardarlo.
3. Debe recargar la batería al menos una vez cada tres meses si no la va a usar.
 - Desenchufe el adaptador externo del enchufe y desconecte el conector adaptador de la enchufe de carga.
 - Separe los accesorios de la aspiradora de piscina. Si fuera necesario, enjuague la aspiradora de piscina y sus accesorios con agua limpia NO utilice detergentes abrasivos.
 - Asegúrese de secar la aspiradora de piscina antes de guardarla.
 - Use un paño húmedo para limpiar y secar la aspiradora de piscina y sus accesorios.
 - Guárdelos en una zona bien ventilada y libre de luz solar, calor, fuentes de ignición y productos químicos para piscina, fuera del alcance de los niños. La temperatura ambiente de almacenamiento debe ser de 10 °C - 25 °C. NOTA: Una temperatura de almacenamiento superior podría reducir la vida útil de la batería.

¡ATENCIÓN!

No intente, bajo ninguna circunstancia, desmontar la aspiradora de piscina y sustituir el propulsor, el motor y la batería por sí mismo.

¡PRECAUCIÓN!

- El calor excesivo puede dañar la batería y reducir su vida útil.

Consulte con su distribuidor para la sustitución de la batería si ocurre lo siguiente:

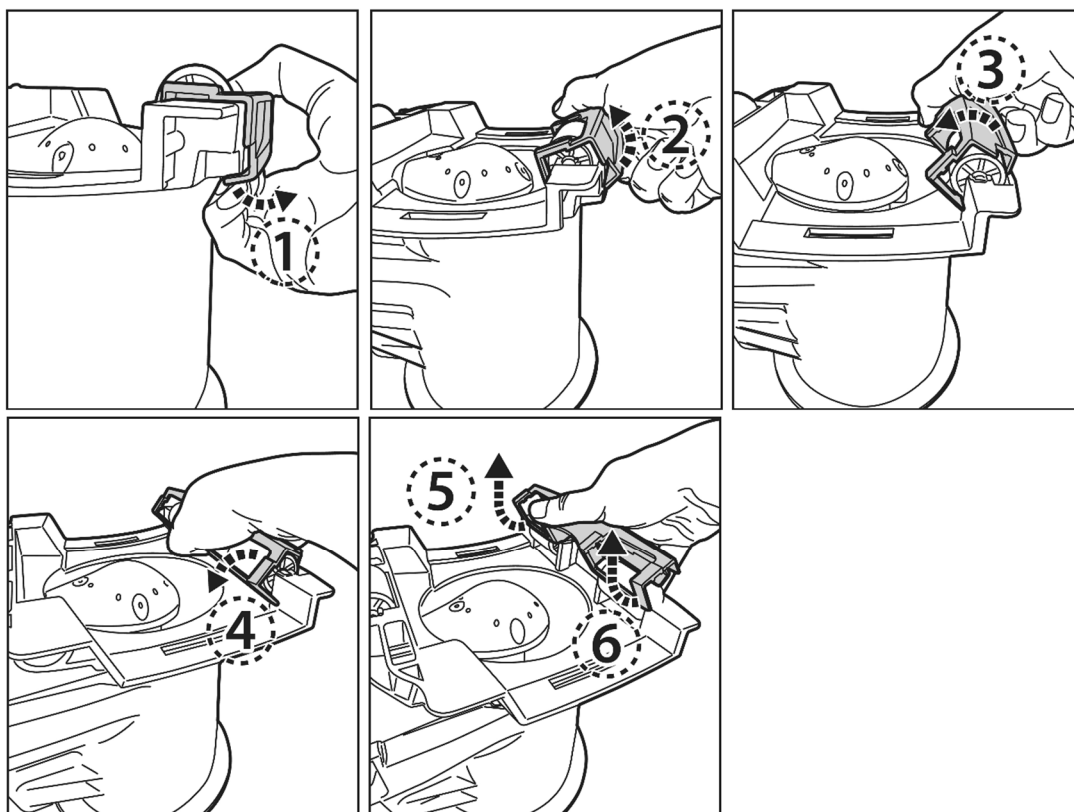
- La batería parece dañada o no se carga completamente.
- El tiempo de funcionamiento de la batería se ha reducido considerablemente.

Observe y anote el tiempo de funcionamiento durante los primeros usos (con una carga completa). Use esta información como referencia para comparar el tiempo de funcionamiento en el futuro.

- La batería debe sacarse de la aspiradora de piscina antes de ser desechada.
- La batería debe desecharse de manera segura y de acuerdo con las ordenanzas o regulaciones locales.

NOTA: Un mantenimiento incorrecto puede reducir la vida útil de la batería y afectar a su capacidad.

Sustitución de las ruedas delanteras



Para retirar las ruedas delanteras dañadas, primero debe retirar el soporte.

1. Haga palanca y levante el extremo del soporte.

2/3/4. Gire el soporte hacia el otro lado.

5. Sostenga el extremo y levántelo.

6. Levante el otro extremo para retirar todo el soporte y poder sustituir la rueda dañada.

ELIMINACIÓN DE LA BATERÍA (Debe hacerlo un técnico autorizado)

Su aspiradora de piscina está equipada con un paquete de baterías de iones de litio recargable que no requiere mantenimiento y que debe ser desechado correctamente. Su reciclaje es obligatorio; contacte con su autoridad local para obtener más información.

¡ATENCIÓN!

Nunca debe intentar desmontar un paquete de baterías.

- Retire todos los objetos personales, como anillos, pulseras, collares y relojes, cuando el paquete de baterías esté desconectado de la aspiradora de piscina.
- Una batería puede generar una corriente de cortocircuito lo suficientemente elevada como para soldar un anillo (u objeto similar) al metal, causando graves quemaduras.
- Al retirar el paquete de baterías debe llevar gafas protectoras, guantes y ropa protectora.
- Evite tocar los cables y que éstos entren en contacto con cualquier objeto metálico, lo cual podría causar chispas y/o un cortocircuito en la batería.
- No fume ni permita la presencia de chispas o llamas cerca de la batería ni de la aspiradora de piscina.
- No exponga la batería al fuego o a calor intenso, ya que se podría producir una explosión.

¡PRECAUCIÓN!

Si se produce una fuga, evite entrar en contacto con los líquidos y coloque la batería dañada en una bolsa de plástico.

- Si los líquidos de la fuga entran en contacto con piel o ropa, lávese inmediatamente con mucha agua y jabón.
- Si los líquidos de la fuga entran en contacto con sus ojos, no los frote; láveselos inmediatamente con agua fresca durante un mínimo de 15 minutos sin frotar. Busque atención médica lo antes posible.

Cómo retirar el paquete de baterías solo para la eliminación de la batería (debe hacerlo un técnico autorizado)

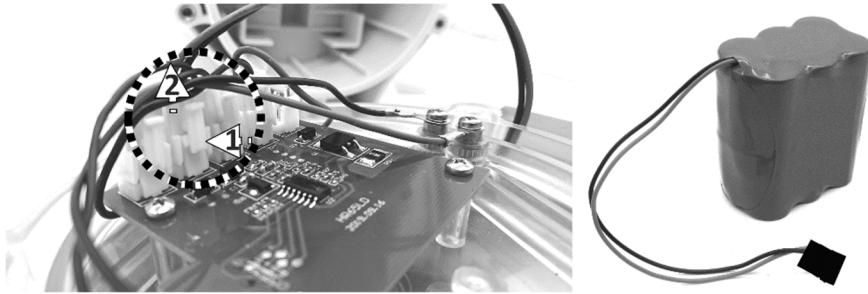
Herramientas recomendadas (no incluidas): destornillador.

ADVERTENCIA: La aspiradora de piscina debe estar desconectada de la corriente antes de extraer la batería.

1. Coloque la aspiradora de piscina sobre una superficie plana. Use el destornillador para desatornillar los tornillos de la cubierta posterior. Extraiga la batería del compartimento.



2. Para soltar el cable de conexión de la batería, presione el clip del conector y tire de él. **NOTA:** Envuelva el conector inmediatamente con cinta aislante para evitar que los terminales de ambos cables entren en contacto y se produzca un cortocircuito.



RESOLUCIÓN DE PROBLEMAS

Problema	Posible causa	Solución
La aspiradora no se pone en funcionamiento bajo el agua (transcurridos entre 5 y 10 segundos)	Los sensores de agua están manchados	Utilice un bastoncillo de algodón impregnado en zumo de limón o vinagre para limpiar las manchas de las zonas situadas alrededor de los sensores de agua.
	Batería agotada	Cargue la aspiradora de piscina.
La aspiradora no atrapa la suciedad/ / Se filtra suciedad en la piscina	Poca batería	Cargue la aspiradora de piscina.
	Propulsor atascado	Extraiga la aspiradora de piscina del agua y gire el interruptor en sentido contrario a las agujas del reloj para apagarla. Compruebe si el propulsor está atascado por alguna partícula de suciedad de gran tamaño. En caso necesario, contacte con su proveedor para obtener las instrucciones oportunas. ADVERTENCIA: Asegúrese de que la aspiradora de piscina permanezca apagada hasta que se solucione el problema.
	Propulsor roto	Contacte con su proveedor para obtener un recambio.
	Bolsa del filtro llena/atascada	Limpie la bolsa del filtro.
Rueda separada del cuerpo	Compruebe si la rueda o el soporte de rueda está roto	Sustituya la rueda o el soporte de rueda.
Tiempo de carga superior al anunciado	Clavijas de carga manchadas	Limpie las manchas de los alrededores de las clavijas de carga con un bastoncillo de algodón impregnado en zumo de limón o vinagre.
La aspiradora no carga	Batería deteriorada	Contacte con su proveedor para obtener una batería de recambio. ADVERTENCIA: NO sustituya la batería usted, ya que podría sufrir graves lesiones y la garantía quedaría invalidada.
	El enchufe de carga no está correctamente conectado al adaptador externo y la aspiradora	Consulte el manual de instrucciones y conecte adecuadamente los accesorios de carga.
	El adaptador externo no funciona	Contacte con su proveedor para obtener un adaptador de recambio. ADVERTENCIA: Usar un adaptador externo incorrecto podría deteriorar la aspiradora de piscina o la batería e invalidar la garantía.
Programas medioambientales, Directiva Europea WEEE		
	Respete las regulaciones de la Unión Europea y ayúdenos a proteger el medio ambiente. Devuelva los equipos eléctricos desechados al punto indicado por su municipio, en el que se recicle correctamente el equipo eléctrico y electrónico. No lo deposite en contenedores de basura sin separar. En el caso de objetos que incluyan pilas, sáquelas antes de depositar el producto.	
	© 2021 BWT Holding GmbH. Todos los derechos reservados. Queda prohibida la reproducción o transmisión parcial o total de este documento de ninguna forma y por ningún medio electrónico, mecánico, en fotocopia, grabación u otros, sin la autorización previa por escrito de BWT Holding GmbH. (V1).	21011004

Si necesita una copia digital de este manual de instrucciones, contacte con nuestro servicio de Atención al Cliente por correo electrónico.

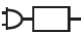
GUARDE ESTAS INSTRUCCIONES

AVVERTENZE DI SICUREZZA & ISTRUZIONI

Le informazioni contenute in questo Manuale di Istruzioni vi aiuteranno a far funzionare l'oggetto in sicurezza, a proteggere voi stessi e gli altri da pericoli e a prevenire danni al dispositivo e ad altri beni.

CONSERVARE LE PRESENTI ISTRUZIONI

ATTENZIONE!

- Questo non è un giocattolo. I bambini devono essere tenuti lontani da questo apparecchio e dai suoi accessori
- Non permettere ai bambini di usare questo prodotto.
- Il presente apparecchio non deve essere utilizzato da persone con ridotte capacità fisiche, sensoriali o mentali o se privi di esperienza e conoscenza, salvo siano soggetti a supervisione o se gli sono state fornite istruzioni inerenti all'uso dell'apparecchio da parte di un responsabile incaricato della loro sicurezza.
- Non è consentito ai minori di giocare con questo prodotto.
- Non è consentita ai minori la manutenzione e la pulizia del pulitore
- Assicurarsi che il pulitore della piscina sia completamente immerso nell'acqua prima di avviare il funzionamento. Il livello minimo dell'acqua richiesto per azionare l'aspirapolvere della piscina deve coprire l'intera aspirazione della piscina. Il funzionamento del pulitore per piscina quando non è immerso correttamente nell'acqua potrebbe danneggiare l'unità e di conseguenza annullare la garanzia.
- Massima profondità di utilizzo: 3m.
- Massima temperatura di utilizzo: da 5°C (41°F) a 35°C (95°F)
-  Unità di alimentazione rimovibile (adattatore esterno).
- L'aspiratore per piscina deve essere ricaricato solo con l'adattatore esterno e la spina di ricarica forniti con questo prodotto.
- Per ricaricare la batteria, utilizzare solo l'unità di alimentazione rimovibile (numero modello adattatore esterno: DSS12D-1351000-B / DSS12D-1351000-C / DSS12D-1351000-D/ LX135100U) fornita con questo pulitore per piscina per caricare la batteria.
- Collegare l'adattatore esterno a una presa elettrica tramite il dispositivo differenziale (RCD)/ un interruttore di messa a terra (GFCI). In caso di dubbi, consultare un elettricista professionista qualificato.
- Non utilizzate il pulitore se risulta danneggiato.
- Sostituire le parti danneggiate con altre dotate dell'apposita certificazione che è stata fornita dal distributore o fabbricante.
- Prima di disconnettere il pulitore dal carica batterie, staccare l'alimentazione, staccare l'adattatore dalla presa di tensione e dal carica batterie.
- Scollegare l'aspiratore della piscina dalla rete di alimentazione e assicurarsi che l'aspiratore della piscina sia spento prima di eseguire la manutenzione regolare, come la pulizia del filtro.
- Non tentare di sostituire la batteria ricaricabile agli ioni di litio installata.

- NON maneggiare il pulitore, l' adattatore esterno e la spina di ricarica mentre è in carica con arti bagnati e senza scarpe.
- Il pulitore non può essere utilizzato con il sacchetto filtro installato mentre ci sono persone o animali in piscina.
- Non utilizzare il pulitore con il sacchetto filtro danneggiato, altrimenti la garanzia verrà annullata immediatamente.
- Rischio di intrappolamento: il pulitore funziona in aspirazione, non permettere a nessuna parte del corpo o agli indumenti di prendere contatto con la bocca di aspirazione del pulitore durante l' utilizzo.
- Non inserite parti del corpo, vestiti o altri oggetti all'interno delle aperture o delle parti in movimento del pulitore.
- NON utilizzare questo pulitore per raccogliere sostanze tossiche, infiammabili e liquidi combustibili (ad es. Benzina) in presenza di fumi esplosivi o infiammabili.
- Non tentare di sostituire la girante, il motore e la batteria da soli
- Non inserire mai le dita né altri oggetti per toccare la ventola.
- La batteria integrata deve essere rimossa da un tecnico qualificato prima di essere scaricata..
- Quest' pulitore contiene una batteria che dev'essere rimossa soltanto da personale qualificato.
- L' pulitore deve essere disconnesso dall'alimentazione principale quando la batteria viene rimossa.
- Per i dettagli relativi al riciclaggio / smaltimento della batteria, consultare la sezione "SMALTIMENTO DELLA BATTERIA" in questo manuale e contattare le autorità locali per ulteriori informazioni.
- La batteria dev'essere smaltita in modo sicuro, secondo quanto stabilito dalle ordinanze e i regolamenti locali.

- Adattatore esterno e spina di ricarica:
 - Utilizzare l'adattatore esterno e la spina di ricarica unicamente per ricaricare il pacco batterie del pulitore consegnato con la fornitura.
 - L'adattatore esterno e la spina di ricarica non devono essere usati all'aperto né esposti a pioggia, umidità, qualsiasi tipo di liquido o calore.
 - Il trasformatore (o adattatore esterno) dev'essere collocato fuori dalla zona 1
 - Mettere l'adattatore esterno e il spina di ricarica fuori dalla portata dei bambini.
 - Non utilizzate l'adattatore esterno e il spina di ricarica se sono danneggiati.
 - Non maneggiate l'adattatore esterno e il spina di ricarica con le mani bagnate.
 - Tenete l'adattatore disconnesso dalla rete elettrica quando non è in uso.
 - Non tentate mai di aprire l'adattatore esterno e il spina di ricarica

- Se il cavo di alimentazione dell'adattatore esterno è danneggiato, l'adattatore esterno deve essere sostituito dal produttore o dal suo agente di servizio per evitare rischi di qualsiasi genere.
- Accertarsi che il pulitore e il spina di ricarica siano completamente asciutti prima di iniziare la ricarica.

ATTENZIONE!

- Questo pulitore è stato progettato per essere utilizzato solamente sott'acqua; non è un pulitore universale. Non utilizzate il pulitore se non per pulire la vostra piscina o SPA.
- Utilizzate solamente gli accessori originali di corredo al prodotto.
- Non utilizzare il pulitore immediatamente dopo un trattamento shock. Si raccomanda di lasciare circolare l'acqua della piscina per almeno 24/48 ore.
- Se usi una piscina con acqua salata, accertati che tutto il sale si sia dissolto prima di collocare il pulitore nell'acqua.
- Non è raccomandato l'uso del pulitore contemporaneamente a un altro pulitore automatico/pulitore.
- Evitare di raccogliere oggetti pesanti e a punta con questo prodotto. Possono danneggiare il pulitore e il suo filtro.
- Per evitare danni all'adattatore esterno e alla spina di ricarica, non trasportare il pulitore dal cavo dell'adattatore esterno/spina di ricarica né tirare la corda per disconnetterlo dalla fonte di alimentazione e dalla spina di ricarica
- Caricare il pulitore per piscina al chiuso in un'area pulita e asciutta con una buona ventilazione e lontano dalla luce solare.
- Non lasciate il pulitore in carica per più di 10 ore.
- Se il pulitore non viene utilizzato per un lungo periodo, scollegatelo dal spina di ricarica e utilizzate un panno umido per pulire e asciugare il pulitore e i suoi accessori. Accertarsi di portare la capacità della batteria del robot tra il 30% e il 50% prima di conservarlo. Riponetelo in un area ben ventilata lontano dalla luce del sole, dal calore, dai prodotti chimici e dai bambini.
- Tutte le azioni riguardanti lo smontaggio dell'unità principale (es. Lo smaltimento della batteria) possono essere eseguite solo da un tecnico autorizzato.

Le avvertenze e precauzioni che precedono non sono intese a comprendere tutti i possibili rischi e/o lesioni. I proprietari di piscine/spa dovranno avere una speciale attenzione e usare il buon senso comune durante l'uso del prodotto.

Precisazione: I prodotti/foto dei pezzi/bozzetti nel presente manuale sono solo a scopo dimostrativo. I prodotti/pezzi nelle foto/bozzetti possono variare rispetto al modello acquistato.

Gli accessori / parti indicate in questo manuale e lo esploso ricambi non sono necessariamente incluse in ciascun modello.

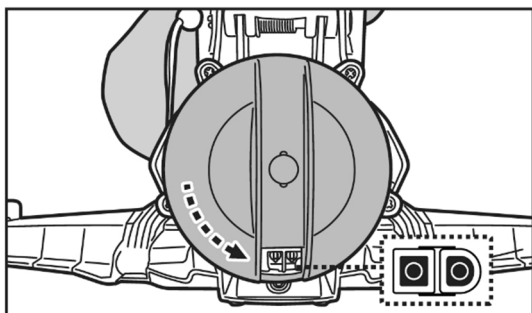
PER INIZIARE

Caricare la batteria

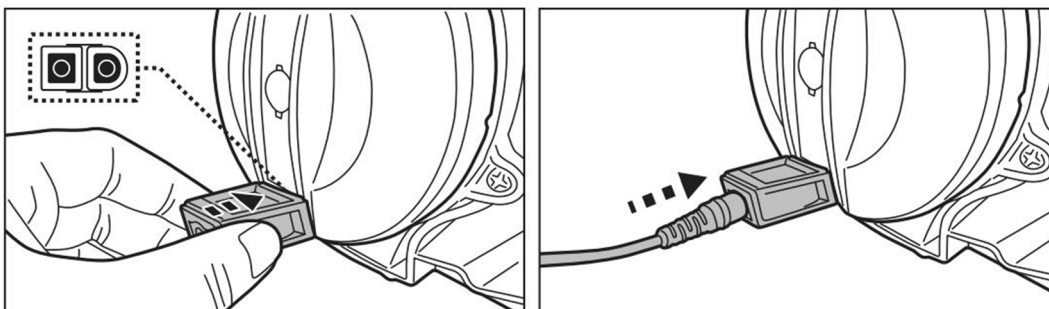
NOTA IMPORTANTE: Caricare completamente il pulitore (circa 6 ore) prima di usarlo per la prima volta.

ATTENZIONE!

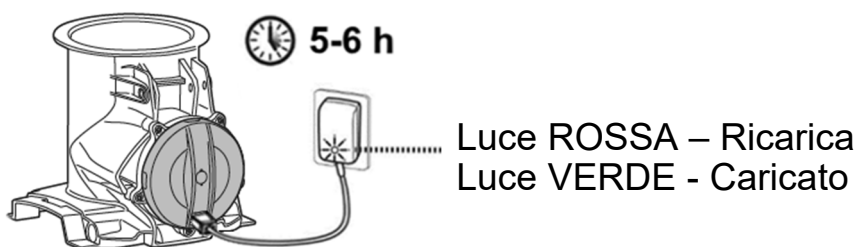
- Usare soltanto l'adattatore esterno originale e la spina di ricarica fornito.
 - Accertarsi che il pulitore e la porta di carica sono puliti ed asciutti prima dell'installazione e della ricarica. (SUGGERIMENTI: utilizzare un cotton fioc per asciugare la porta di ricarica e i perni di ricarica)
 - I pin di ricarica sono impermeabili. Tuttavia, i resti d'acqua nel porto e attorno ai perni potrebbero provocare la presenza naturale di macchie (un sottoprodotto della reazione chimica tra acqua e correnti elettriche). Altrimenti, le macchie possono essere rimosse strofinando leggermente con un batuffolo di cotone imbevuto di succo di limone o aceto.
1. Posizionare l'unità su una superficie piatta e uniforme. Impostare il pulitore per piscina in modalità Spegnimento / Ricarica ruotando la manopola di commutazione in senso antiorario finché non scatta ed espone completamente la porta di ricarica.



2. Allineare e collegare la spina di ricarica alla porta di ricarica. **ATTENZIONE!** Assicurarsi di non invertire la spina di ricarica e assicurarsi che sia la spina che la porta di ricarica siano pulite e asciutte prima di caricarle. **SUGGERIMENTI:** usa un batuffolo di cotone per asciugare la porta di charging e i perni. Collegare il cavo di ricarica dell'adattatore esterno alla presa di ricarica.



3. Collegare il cavo di ricarica dell'adattatore esterno all'alimentatore. La luce dell'indicatore esterno si accenderà di rosso quando il pulitore è in carica e di verde quando sarà completamente carico. Caricalo per 5-6 ore per ottenere le migliori prestazioni.



- Spegnere e disconnettere immediatamente l'adattatore esterno dalla fonte di alimentazione se si verifica una delle seguenti condizioni:
 - Odore sgradevole o insolito
 - Calore eccessivo
 - Deformazione, rotture, fughe
 - Fumo
- 4. Quando la ricarica è completa, scollegare l'adattatore esterno dalla fonte di alimentazione e scollegare il cavo di ricarica dalla presa di ricarica. Scollegare la spina di ricarica dall'unità principale. **ATTENZIONE!** Non abbandonare per nessun motivo di ricarica mentre il pulitore per piscina è in acqua.

Normalmente il pulitore per piscina è progettato per funzionare fino a 75 minuti se completamente carico.

NOTA: Pulire regolarmente il sacchetto filtro. Detriti eccessivi all'interno del sacchetto filtro aumentano il carico per il funzionamento del motore e di conseguenza riducono la durata operativa.

IMPORTANTE: la batteria ricaricabile agli ioni di litio è classificata come un articolo di consumo. Ha una durata di vita limitata e perderà gradualmente la sua capacità di mantenere la carica. Pertanto, la durata di funzionamento del pulitore si ridurrà gradualmente dopo ripetute cariche ed utilizzi..

Una volta terminata la vita utile della batteria, leggere la sezione "SMALTIMENTO DELLA BATTERIA" per ottenere istruzioni per lo smaltimento della batteria.

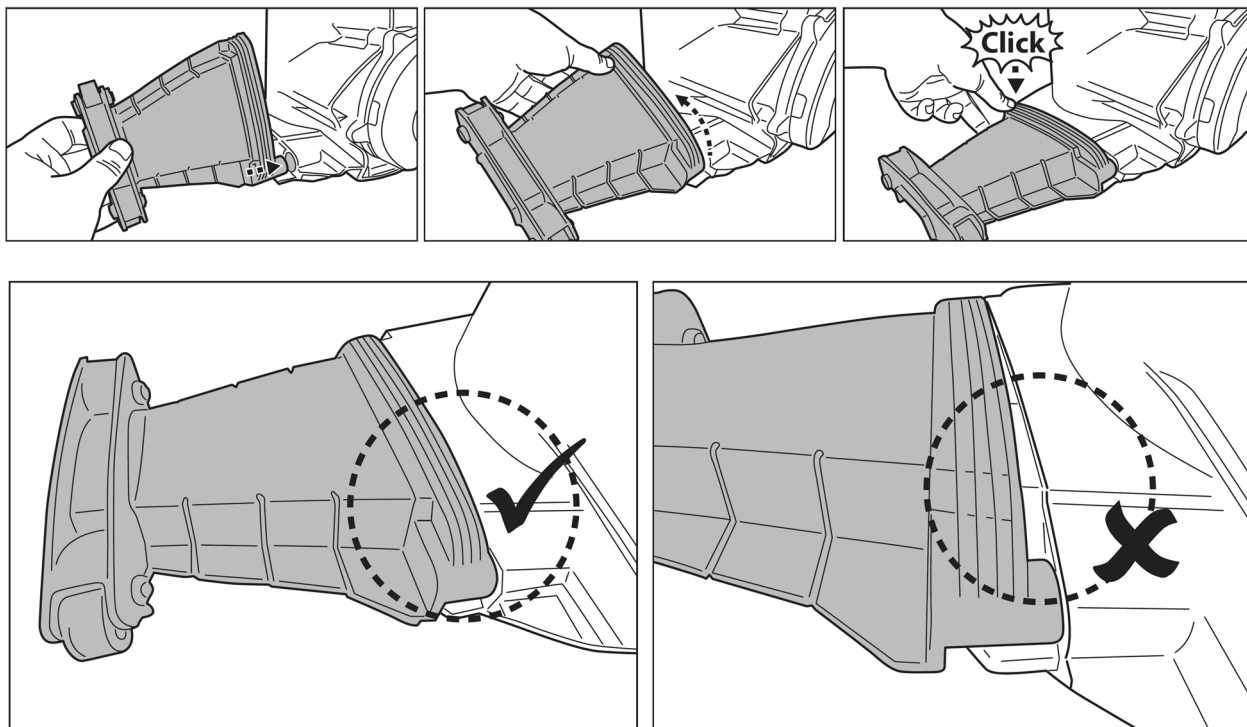
NOTA: Lasciare riposare il pulitore da 30 a 40 minuti prima di ricaricarlo di nuovo..

Montaggio prima dell'uso

Questo pulitore per piscina ha estensioni rimovibili che possono essere rimosse per pulire le aree strette.

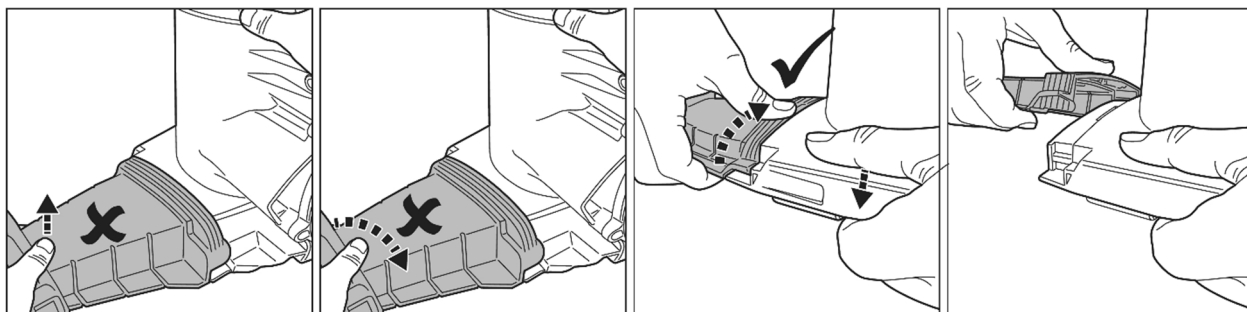
Assemblaggio estensione laterale

Inserire lo stelo dell'ala nel foro sul lato del corpo principale. Ruota l'ala e premi su di essa per fissarla al corpo principale. Sentirai un "clic".



Smontaggio estensione laterale

Invertire i passaggi per smontare l'estensione dall'unità principale.



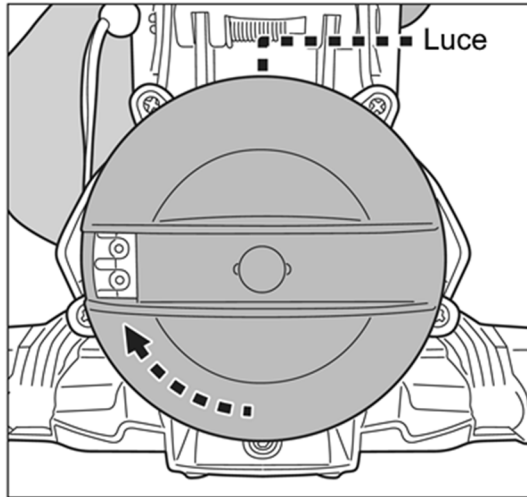
Preparazione della piscina

- Se il rivestimento è usurato, danneggiato o grinzoso, contattare un professionista qualificato per l'esecuzione delle riparazioni necessarie o procedere alla sostituzione del rivestimento prima di usare il pulitore.

- Se usi una piscina con acqua salata, accertati che tutto il sale si sia dissolto prima di collocare il pulitore nell'acqua.

FUNZIONAMENTO

- 1) Porta il pulitore della piscina a bordo piscina. Ruotare la manopola di commutazione in senso orario finché non scatta per esporre i sensori dell'acqua. La luce in alto diventerà blu. Immergere il pulitore della piscina nell'acqua, la luce diventa immediatamente verde e la girante inizierà a girare dopo 4-5 secondi.

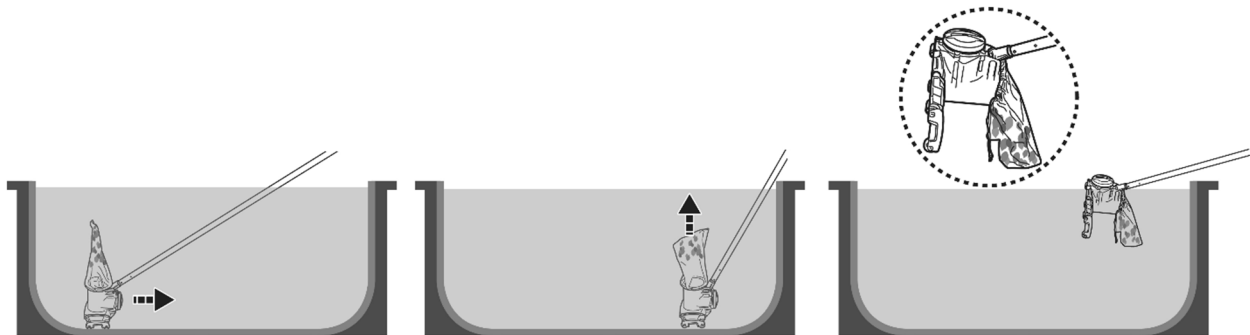


Colore chiaro	
Blu	Accensione (pronto per l'operazione)
Blu – Flash	Il livello della batteria si sta esaurendo
Verde	In funzionamento
Flash verde	Il livello della batteria si sta esaurendo
Luce verde spenta	La batteria è scarica (necessita di essere ricaricato)
Rosso	La girante si ferma (girante intasato)

Per aspirare efficacemente i detriti, assicurati che l'aspirapolvere per piscina sia posizionato in piano sul fondo della piscina mentre lo muovi avanti e indietro con movimento regolare su chiazze di detriti per la raccolta. I detriti vengono raccolti dalla parte anteriore, laterale e posteriore per riempire il sacchetto filtro.

Lo sporco in eccesso e i detriti nella piscina potrebbero ostruire la girante, che si fermerebbe automaticamente per proteggere il motore e la spia luminosa diventerebbe rossa. Rimuovere il pulitore dalla piscina e spegnerlo prima di disostruire e svuotare il sacchetto del filtro se è pieno. Per riprendere il funzionamento, ruotare la manopola di commutazione in senso antiorario fino a selezionare Spegnimento, quindi ruotarla in senso orario per selezionare Accensione.

- 2) Per recuperare l'aspirapolvere della piscina, portarlo a bordo vasca e capovolgerlo prima di sollevarlo. Questo viene fatto per evitare che i detriti si disperdano di nuovo nella piscina (specialmente se si utilizza il sacco filtrante fine) ed evitare di piegare il palo durante il processo.

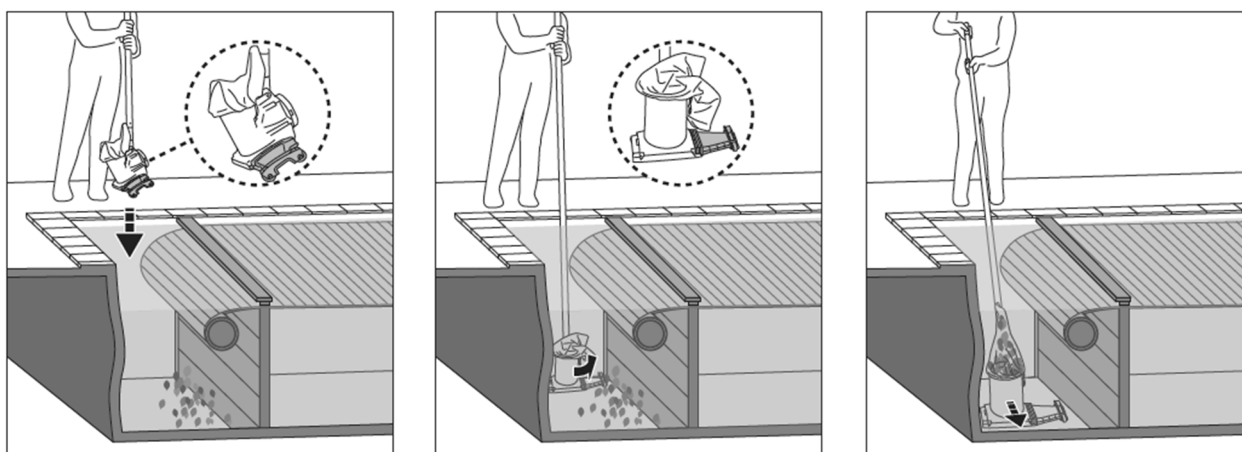


Una volta che il pulitore della piscina è fuori dall'acqua, la girante smetterà di girare entro 2-3 secondi. La luce LED diventerà blu. Quando il livello della batteria si sta esaurendo, la luce blu lampeggia.

- 3) Risciacquare l'aspirapolvere della piscina con acqua fresca dopo ogni utilizzo. NON utilizzare detergenti aggressivi.
- 4) Asciugare accuratamente la porta di ricarica e i perni (SUGGERIMENTO: utilizzare un batuffolo di cotone per asciugarli).

Aspirazione dello scomparto incassato di una copertura a doghe automatica
AVVERTENZA! Prestare attenzione a tutte le avvertenze di sicurezza nel manuale della copertura a doghe automatica relative a questa operazione di pulizia in anticipo.

- La distanza minima richiesta per l'immersione del vuoto nel compartimento incassato è di 30 cm (12 pollici)



- Rimuovere il passerella e srotolare la stecca della piscina secondo le istruzioni del manuale della copertura per piscina.
- Staccare una prolunga del pulitore prima di immergerlo nella piscina.
- Attaccare un'asta telescopica (non fornita) all'impugnatura dell'aspirapolvere della piscina come indicato nel manuale.
- Accendere il pulitore e successivamente allinearlo come mostrato nell'immagine sopra prima dell'immersione.
- Una volta che il robot raggiunge il fondo della piscina, parallelamente alla lunghezza della piscina come mostrato sopra e inizia ad aspirare il compartimento incassato.

PULIZIA DELLA SACCO FILTRANTE / FILTRO CARTUCCIA

Nota: La borsa con filtro a cartuccia non è necessariamente inclusa con ciascun modello.

ATTENZIONE! Assicurarsi che il pulitore della piscina sia spento prima di pulire il sacchetto del filtro/ filtro cartuccia.

Il lavaggio regolare del sacco filtrante e filtro a cartuccia contribuisce a mantenere una buona aspirazione e uno stretto contatto tra l'aspiratore e il fondo della piscina durante l'operazione. Posizionare il detergente su una superficie piana e robusta. Premere sulla chiusura del cavo per rilasciare la borsa dal corpo principale.

Si consiglia di lavare il sacchetto filtro con un getto d'acqua dopo ogni ciclo di pulizia della piscina.

Lo spruzzo deve essere angolato per eliminare anche i detriti nascosti tra le pieghe della filtro a cartuccia.

Non usare mai uno spruzzo ad alta pressione perché danneggerebbe le cartucce.

Per eliminare lo sporco ostinato o le impurità su un filtro intasato, lavare il sacchetto del filtro in lavatrice a temperatura dell'acqua a 30°C. Per il filtro a cartuccia, immergerlo in acqua con detergente per 2-3 ore, dopodiché risciacquarlo con un getto d'acqua.

Se si ritiene necessaria la spazzolatura, utilizzare solo una spazzola morbida per pulirla accuratamente e delicatamente per evitare danni.

MANUTENZIONE & STOCCAGGIO

NOTE:

1. Assicurati di aver pulito e asciugato le aree limitrofe alla porta di ricarica e ai sensori dell'acqua dopo ogni utilizzo per evitare la formazione di macchie (sottoprodotto di una reazione chimica naturale tra corrente elettrica e acqua). Diversamente, le macchie possono essere rimosse strofinando leggermente con un batuffolo di cotone imbevuto di succo di limone o aceto.
2. La batteria si scarica da sola durante lo stoccaggio. Accertarsi di portare la capacità della batteria del pulitore tra il 30% e il 50% prima di conservarlo.
3. È necessario ricaricare la batteria almeno una volta ogni tre mesi se non viene usata.
 - Disconnettere l'adattatore esterno dalla presa di corrente e quindi riconnettere il jack dell'adattatore dalla spina di ricarica.
 - Staccare gli accessori dall' aspiratore della piscina. Se necessario, risciacquare l' aspiratore della piscina e gli accessori con acqua fresca. **NON USARE** detergenti aggressive.
 - Accertarsi di asciugare il pulitore della piscina prima dell'immagazzinamento.
 - Utilizzare un panno umido per pulire ed asciugare l' aspiratore della piscina ed i relativi accessori.
 - Provvedere ad uno stoccaggio in un'area ben ventilata ed al riparo dalla luce solare, dal calore, da materiale infiammabile e da prodotti chimici e fuori dalla portata dei bambini. La temperatura dell'ambiente di stoccaggio deve essere compresa tra i 10°C – 25°C. NB: una temperatura più elevata può ridurre il ciclo di vita della batteria durante lo stoccaggio stesso.

ATTENZIONE!

In nessun caso si deve tentare di smontare il pulitore e rimontare in autonomia la girante, il motore e la batteria.

ATTENZIONE!

- Un calore eccessivo può danneggiare la batteria e ridurre la sua durata.

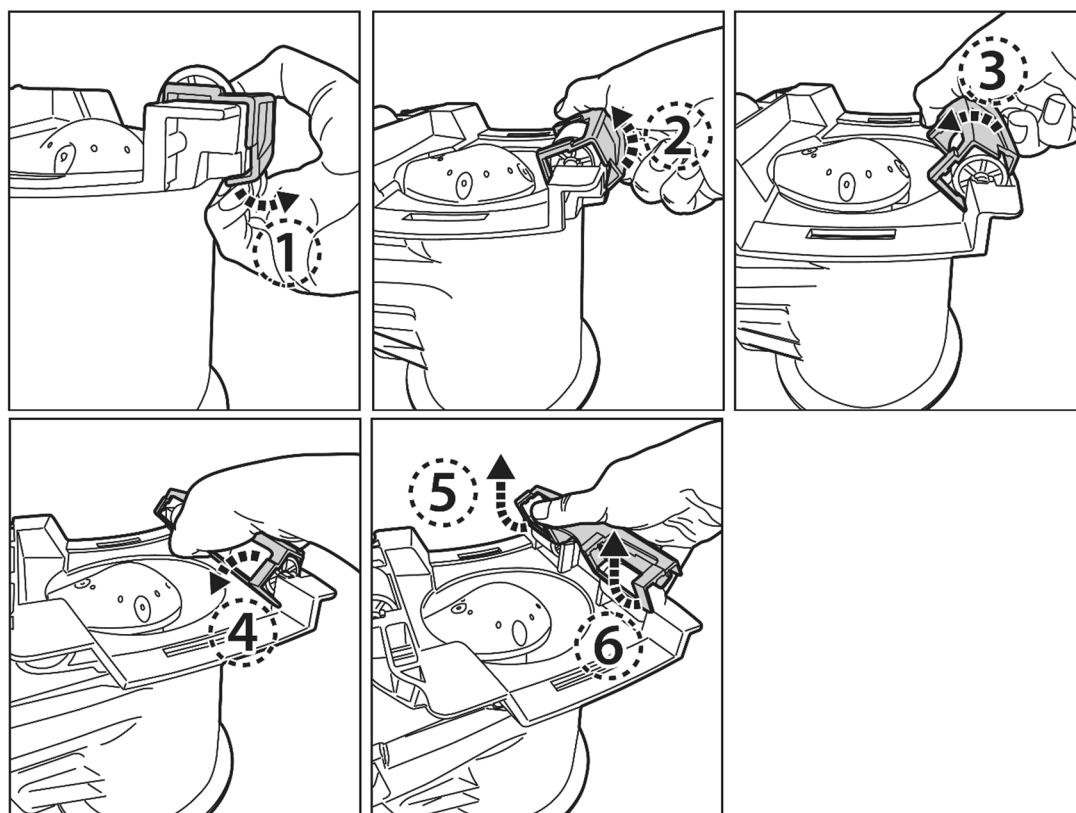
Consultare il proprio rivenditore per la sostituzione della batteria se si verifica una delle seguenti condizioni:

- La batteria appare danneggiata o non si ricarica completamente.

- Il tempo di funzionamento della batteria è notevolmente ridotto. Osservare e registrare i tempi di funzionamento delle prime attività (a ricarica completa). Usare questi tempi come punto di riferimento per compararli con i tempi di funzionamento di batterie più vecchie.
- La batteria deve essere rimossa dall'aspiratore della piscina prima dello smaltimento/rottamazione.
- L'aspiratore della piscina deve essere disconnesso dalla rete di alimentazione prima di rimuovere la batteria.
- La batteria deve essere smaltita con cura ed in sicurezza, in accordo con le legislazioni ed i regolamenti locali vigenti.

NB: Una manutenzione non appropriata può ridurre il ciclo di vita della batteria ed intaccare le sue capacità.

Sostituzione delle ruote anteriori



Prima di rimuovere le ruote anteriori danneggiate, è necessario separare innanzitutto il telaio.

1. Fare leva e sollevare il bordo del telaio.
- 2/3/4. Ruotare il telaio verso l'altra estremità.
5. Afferrare un'estremità e sollevarla.
6. Sollevare l'altra estremità per staccare l'intero telaio e sostituire la ruota danneggiata.

SMALTIMENTO DELLA BATTERIA (Da eseguirsi solo da parte di un tecnico autorizzato)

L'aspiratore della piscina della batteria è una confezione contenente una batteria a LITIO-ION ricaricabile che non richiede manutenzione e che deve essere smaltita in maniera appropriata. Il riciclo è obbligatorio: si prega di contattare l'autorità locale in materia per informazioni in proposito.

ATTENZIONE!

Mai tentare di smontare il kit batteria

- Togliere tutti gli oggetti personali come ad esempio anelli, braccialetti, collane ed orologi quando il kit batteria è disconnesso dall'aspiratore della piscina.
- Una batteria può produrre un breve corto circuito sufficientemente forte da saldare un anello (od un oggetto simile) al metallo, provocando gravi ustioni.
- Indossare una protezione completa per gli occhi, guanti ed un abbigliamento di sicurezza appropriato durante la rimozione del kit batteria.
- Evitare di toccare tutti i cavi contemporaneamente ed evitare di consentire un contatto tra i cavi ed un oggetto di metallo poichè si possono provocare scintille o corto circuiti.
- Mai fumare o avvicinare fonti di scintille o fiamme in prossimità della batteria o dell'aspiratore della piscina.
- Non esporre la batteria al fuoco o ad alte fonti di calore poichè possono provocare un' esplosione.

ATTENZIONE!

Se una batteria presenta una perdita, evitare il contatto con i liquidi fuoriusciti e posizionare la batteria danneggiata in una borsa di plastica.

- Se i liquidi fuoriusciti vanno in contatto con pelle o vestiti, lavare immediatamente con sapone ed acqua abbondanti.
- Se i liquidi fuoriusciti vanno in contatto con occhi, sciacquare immediatamente gli occhi sotto acqua corrente fresca per almeno 15 minuti e non sfregarli assolutamente. Ricorrere ad un'appropriata assistenza medica il prima possibile.

Come rimuovere il pack batteria solo per lo smaltimento della batteria (Da eseguirsi solo da parte di un tecnico autorizzato)

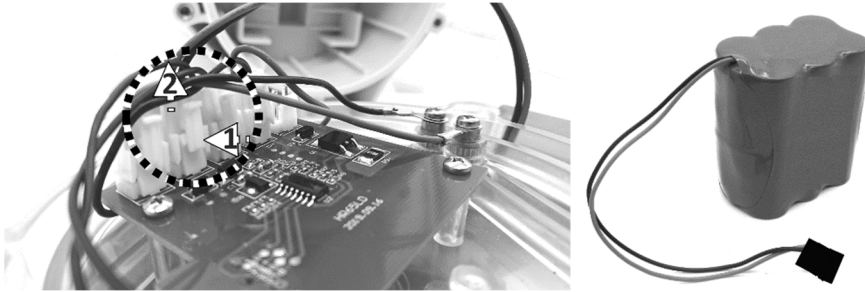
Strumenti raccomandati (non inclusi): cacciaviti

AVVERTENZA! Il pulitore per piscina deve essere scollegato dalla rete di alimentazione prima di rimuovere il pacco batteria.



1. Posizionare il pulitore per piscina su una superficie piana. Utilizzare il cacciavite per allentare le viti sul coperchio posteriore. Rimuovere la batteria dalla camera.



2. Per staccare il cavo di collegamento della batteria, premere sulla clip del connettore per estrarlo. **NOTA:** avvolgere immediatamente il connettore con nastro isolante per evitare cortocircuiti causati dal contatto di entrambi i terminali del filo.



RISOLUZIONE DEI PROBLEMI

Problema	Causa possibile	Soluzione
Il pulitore non inizia a funzionare sott'acqua (dopo 5-10 secondi)	Sensori di acqua macchiata	Le macchie possono essere rimosse utilizzando un batuffolo di cotone imbevuto di succo di limone o aceto per pulire le aree intorno ai sensori dell'acqua.
	Privo di batterie	Carica il pulitore della piscina.
Non cattura i detriti / i detriti sono fuoriusciti nella piscina	Batteria scarica	Carica il pulitore della piscina.
	Girante inceppata	Rimuovere il pulitore della piscina dall'acqua e ruotare la manopola in senso antiorario per spegnerla. Controllare e vedere se la girante è bloccata da grandi detriti. Rimuovere i detriti. Se necessario, contattare il proprio rivenditore per ulteriori istruzioni. AVVERTENZA! Assicurarsi che l'aspirapolvere della piscina sia spento prima di eseguire la manutenzione dell'unità.
	Girante rotta	Contattare il proprio rivenditore per la sostituzione.
	Il sacchetto del filtro è pieno / ostruito	Pulire il sacchetto del filtro.
Ruota staccata dal corpo.	Controllare se la ruota/supporto della ruota è rotto	Sostituire con una nuova ruota/supporto ruota
Il tempo di ricarica è più lungo di pubblicato	Pin di ricarica macchiati	Le macchie possono essere rimosse utilizzando un batuffolo di cotone imbevuto di succo di limone o aceto per pulire le aree intorno ai sensori dell'acqua.
Il detergente non può essere caricato	Batteria danneggiata	Contattare il rivenditore per la sostituzione della batteria. AVVERTENZA! NON sostituire la batteria da soli. Ciò potrebbe provocare lesioni gravi o mortali e la garanzia verrà annullata di conseguenza.
	La spina di ricarica non è collegata correttamente all'adattatore esterno e all'aspirapolvere per piscina	Fare riferimento al manuale di istruzioni e collegare correttamente gli accessori di ricarica.
	L'adattatore esterno è guasto	Contattare il proprio rivenditore per la sostituzione. AVVERTENZA! L'uso di un adattatore esterno sbagliato provocherà danni all'aspirapolvere / batteria della piscina e di conseguenza annullerà la garanzia.
Programma Ambientale, Direttiva Europea WEEE		
	Rispettare le normative dell'Unione Europea e aiutare a proteggere l'ambiente. Le attrezzature elettriche non rilavorate devono essere smaltite presso un impianto indicato dal Comune di competenza che si occupi di riciclare appropriatamente attrezzature elettriche ed elettroniche. Non gettare via tali attrezzature in cassonetti per rifiuti indifferenziati. Per articoli contenenti batterie removibili, rimuovere le batterie prima di gettare via il prodotto.	
	© 2021 BWT Holding GmbH. 21011004 Tutti i diritti sono riservati. Nessuna parte di questo documento può essere riprodotta o trasmessa in alcuna forma o tramite alcun mezzo, elettronico, meccanico, fotocopia, registrazione o altro, salvo previa autorizzazione della BWT Holding GmbH. (V1)	

Se è richiesta una copia digitale del presente manuale, prego contattare il centro di assistenza via email.

CONSERVARE LE PRESENTI ISTRUZIONI

WAARSCHUWINGEN EN VEILIGHEIDSAANWIJZINGEN

De informatie in deze Handleiding helpt u om het apparaat veilig te bedienen, om uzelf en anderen te beschermen tegen gevaren en om schade aan het apparaat en andere eigendommen te voorkomen.

BEWAAR DEZE INSTRUCTIES

WAARSCHUWING!

- Dit is **GEEN SPEELGOED**. Kinderen moeten buiten bereik van de zwembadstofzuiger en de accessoires worden gehouden.
- Laat kinderen dit product nooit bedienen.
- Dit apparaat is niet bedoeld voor gebruik door personen met verminderde fysieke, zintuiglijke of mentale capaciteiten, of een gebrek aan ervaring en kennis, tenzij zij onder toezicht staan of instructies hebben gekregen over het gebruik van het apparaat door een persoon die verantwoordelijk is voor hun veiligheid en zij de daarmee gepaard gaande risico's begrijpen.
- Kinderen mogen niet met dit bodemzuiger spelen.
- Reiniging en gebruikersonderhoud mogen niet door kinderen worden uitgevoerd.
- Zorg ervoor dat de zwembadstofzuiger volledig in water is ondergedompeld voordat u de werking start. Het minimale waterniveau dat vereist is om de zwembadstofzuiger te laten werken, moet de gehele zwembadstofzuiger bedekken. Als u de zwembadstofzuiger gebruikt wanneer deze niet correct in het water is ondergedompeld, kan dit het apparaat beschadigen en de garantie ongeldig maken.
- De maximale werkdiepte in water is 3 meter.
- Bedrijfstemperatuur water: 5°C – 35°C.
-  Afneembare voedingseenheid (externe adapter).
- De zwembadstofzuiger mag alleen worden opgeladen met de externe adapter en laadstekker die bij dit product worden geleverd.
- Gebruik voor het opladen van de batterij alleen de afneembare voedingseenheid (modelnummer van de externe adapter: DSS12D-1351000-B / DSS12D-1351000-C / DSS12D-1351000-D/ LX135100U) die bij deze bodemzuiger is geleverd om de batterij op te laden.
- Sluit de externe adapter aan op een stroombron via een aardlekschakelaar (RCD) / een verliesstroomschakelaar (GFCI). Raadpleeg een professionele elektricien als u vragen hebt.
- Gebruik deze zwembadstofzuiger niet als er schade wordt vastgesteld.
- Vervang beschadigde onderdelen door onderdelen die door de distributeur of fabrikant zijn gecertificeerd.
- Schakel de stroom uit, trek de stekker van de externe adapter uit het stopcontact en haal de stekker van de externe adapter uit de laadstekker voordat u de bodemzuiger uit de laadstekker haalt.
- Koppel de zwembadstofzuiger los van het elektriciteitsnet en zorg ervoor

- dat de zwembadstofzuiger is uitgeschakeld voordat u onderhoud uitvoert, zoals het reinigen van de filterzak.
- Probeer in geen geval de geïnstalleerde oplaadbare Li-ion-batterij te vervangen.
 - Raak de zwembadstofzuiger, de externe adapter en de laadstekker NIET aan met natte ledematen en zonder schoenen, terwijl deze wordt opgeladen.
 - Gebruik deze zwembadstofzuiger niet wanneer er mensen/huisdieren in het water aanwezig zijn.
 - Gebruik deze zwembadstofzuiger NIET zonder een intacte filterzak, anders vervalt de garantie.
 - Beknellingsgevaar door zuigkracht: deze zwembadstofzuiger genereert afzuiging. Zorg ervoor dat haar, lichaam en losse delen van uw kleding niet in contact komen met het zuigpunt van de zwembadstofzuiger tijdens de werking.
 - Steek nooit lichaamsdelen, kleding en andere voorwerpen in de openingen en bewegende delen van de zwembadstofzuiger.
 - Gebruik deze bodemzuiger NIET om giftige stoffen, ontvlambare en brandbare vloeistoffen (d.w.z. benzine) op te zuigen in de aanwezigheid van explosieve of ontvlambare dampen.
 - Probeer in geen geval zelf de zwembadstofzuiger te demonteren en de waaier, motor en batterij zelf te vervangen.
 - Steek nooit vingers en voorwerpen in de stofzuiger om de waaier te raken.
 - De ingebouwde batterij moet door een ervaren technicus worden verwijderd voordat deze wordt afgedankt.
 - Deze bodemzuiger bevat een batterij die enkel mag worden verwijderd door vakkundig personeel.
 - De bodemzuiger moet van het stroomnet worden losgekoppeld wanneer de batterij verwijderd wordt.
 - Voor meer informatie over het recyclen/verwijderen van batterijen raadpleegt u het hoofdstuk " DE BATTERIJ WEGWERPEN" in deze handleiding en neemt u contact op met uw lokale autoriteiten voor meer informatie.
 - De batterij moet veilig worden weggegooid in overeenstemming met de plaatselijke verordeningen of voorschriften.

 - Externe adapter en laadstekker:
 - Gebruik de externe adapter en laadstekker nooit voor iets anders dan het opladen van de batterij van de zwembadstofzuiger die in hetzelfde pakket wordt meegeleverd.
 - De externe adapter en oplaadstekker mogen niet buitenshuis worden gebruikt en mogen ook niet worden blootgesteld aan regen, vocht, vloeistoffen of hitte.
 - De transformator (of externe adapter) moet zich buiten zone 1 bevinden.
 - Houd de externe adapter en oplaadstekker buiten bereik van kinderen.

- Gebruik nooit de externe adapter en laadstekker als er schade wordt gedetecteerd.
- Raak de externe adapter en de oplaadstekker NIET met natte handen aan.
- Steek de externe adapter niet in een oplaadstekker wanneer deze niet in gebruik is.
- Probeer nooit om de externe adapter of de lader te openen.
- Als de voedingskabel van de externe adapter beschadigd is, moet de externe adapter door de fabrikant of zijn servicemedewerker worden vervangen om gevaren van welke aard dan ook te voorkomen.
- De bodemzuiger en de laadstekker moeten volledig droog zijn voor u de zuiger herlaadt.

OPGEPAST!

- Deze zwembadstofzuiger is alleen bedoeld voor gebruik onder water; het is geen alleszuiger. Probeer de stofzuiger NIET te gebruiken om iets anders dan uw zwembad schoon te maken.
- Gebruik alleen originele accessoires die bij dit product zijn geleverd.
- Gebruik deze zwembadstofzuiger NIET direct na het toepassen van chloorshock. Het wordt aanbevolen om het zwembad eerst minimaal 24-48 uur te laten circuleren.
- Als u van plan bent om de zwembadstofzuiger in een zoutwaterzwembad te gebruiken, zorg er dan voor dat al het zout is opgelost voordat u het in het water plaatst.
- Het is niet raadzaam deze bodemzuiger tegelijkertijd te gebruiken met een andere automatische reiniger/reiniger.
- Pak geen harde, scherpe voorwerpen op met dit product, omdat deze de zwembadstofzuiger en de filter kunnen beschadigen.
- Om schade aan de externe adapter en de laadstekker te voorkomen, mag u de zwembadstofzuiger niet dragen via de kabel van de externe adapter of mag u niet aan de kabel trekken in de hoop deze los te koppelen van de stroombron en de laadstekker.
- Laad de zwembadstofzuiger binnenshuis in een schone, droge ruimte met goede ventilatie en uit de buurt van zonlicht.
- Laat de zwembadstofzuiger NIET langer dan 10 uur opladen.
- Als de zwembadstofzuiger gedurende langere tijd niet wordt gebruikt, maak hem dan van de laadstekker los en gebruik een vochtige doek om de zwembadstofzuiger en de accessoires schoon te maken en te drogen. Zorg ervoor dat u de zwembadstofzuiger oplaadt tot ongeveer 30% tot 50% van de batterijcapaciteit voordat die wordt opgeslagen. Bewaar in een goed geventileerde ruimte, uit de buurt van zonlicht, hitte, ontstekingsbronnen, chemicaliën in het zwembad en kinderen. Laad de zwembadstofzuiger om de drie maanden op.
- Alle acties met betrekking tot het demonteren van de hoofdeenheid (d.w.z. batterijverwijdering) kunnen alleen worden uitgevoerd door een geautoriseerde technicus.

Bovenstaande waarschuwingen en aandachtspunten zijn niet bedoeld om alle mogelijke gevallen van risico's en/of ernstig letsel op te nemen. Eigenaren van

zwembaden/spa's moeten altijd extra voorzichtig zijn en gezond verstand gebruiken bij het gebruik van het product.

Opmerking: Foto's/tekeningen van (onderdelen van) het product in deze handleiding dienen alleen ter illustratie. Foto's/tekeningen van (onderdelen van) het product kunnen verschillen van het model dat u hebt aangeschaft.

De in deze handleiding getoonde accessoires/onderdelen en het onderdelen overzicht worden niet noodzakelijkerwijs bij elk model meegeleverd.

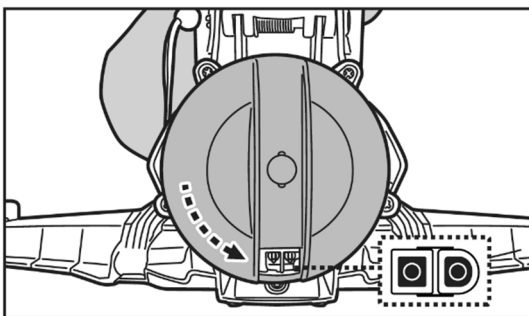
VAN START GAAN

Batterij opladen

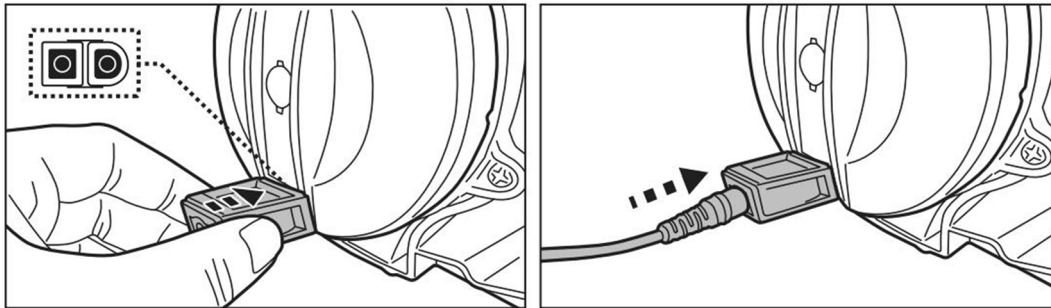
BELANGRIJKE OPMERKING: laad de zwembadstofzuiger volledig op (ongeveer 6 uur) voordat u het voor de eerste keer gebruikt.

WAARSCHUWING!

- Gebruik alleen de originele externe adapter en meegeleverde laadstekker.
 - Zorg ervoor dat de bodemzuiger en de laadpoort schoon en droog zijn voordat u de bodemzuiger installeert en oplaadt. (TIPS: gebruik een wattenstaafje om de laadpoort en de laadpennen te drogen.)
 - De laadpennen zijn waterdicht. Waterresten in de poort en rond de pennen kunnen echter leiden tot het natuurlijk voorkomen van vlekken (een bijproduct van een chemische reactie tussen water en elektrische stromen). Anders kunnen de vlekken worden verwijderd door licht te schrobben met een wattenstaafje dat in citroensap of azijn is gedrenkt.
1. Plaats het apparaat op een vlakke ondergrond. Stel de zwembadstofzuiger in op Uitschakelen/Opladen door de schakelknop linksom te draaien totdat deze klikt en de oplaadpoort volledig zichtbaar is.



2. Lijn de oplaadstekker uit en sluit deze aan op de oplaadpoort. **WAARSCHUWING!** Zorg ervoor dat u de laadstekker niet omkeert en zorg ervoor dat zowel de laadstekker als de oplaadpoort schoon en droog zijn voordat u ze oplaadt. TIPS: Gebruik een wattenstaafje om de oplaadpoort en punten te drogen. Steek de laadkabel van de externe adapter in de laadstekker.



- Sluit de externe adapter aan op de stroombron. Het indicatielampje op de externe adapter wordt rood als de stofzuiger wordt opgeladen en groen als die volledig is opgeladen. Laad hem gedurende 5-6 uur op voor de beste prestaties.



- Koppel de externe adapter onmiddellijk los van de stroombron als u een van de volgende dingen ontdekt:
 - Aanstootgevende of ongebruikelijke geur
 - Extreme hitte
 - Vervorming, scheuren, lekken
 - Rook
- Wanneer het opladen is voltooid, koppelt u de externe adapter los van de stroombron en haalt u de laadkabel uit de laadstekker. Trek de oplaadstekker uit het hoofdapparaat. **WAARSCHUWING!** Laat de laadstekker nooit in de stofzuiger terwijl die in het water is.

Normaal gesproken is de zwembadstofzuiger ontworpen om maximaal 75 minuten op een volledige lading te werken.

Opmerking: leeg de filterzak regelmatig. Overmatig vuil verhoogt de belasting van de motor en kan de bedrijfstijd verkorten.

OPMERKING: de oplaadbare lithium-ionbatterij is geclassificeerd als verbruiksartikel. Het heeft een beperkte levensduur en verliest geleidelijk zijn capaciteit om een lading vast te houden. Daarom zal de looptijd van de zwembadstofzuiger geleidelijk verminderen na herhaald laden en ontladen gedurende de hele levensduur van het product.

Zodra de levensduur van de batterij ten einde is, raadpleegt u de paragraaf "VERWIJDERING VAN DE BATTERIJ" voor instructies over het weggoien van de batterij.

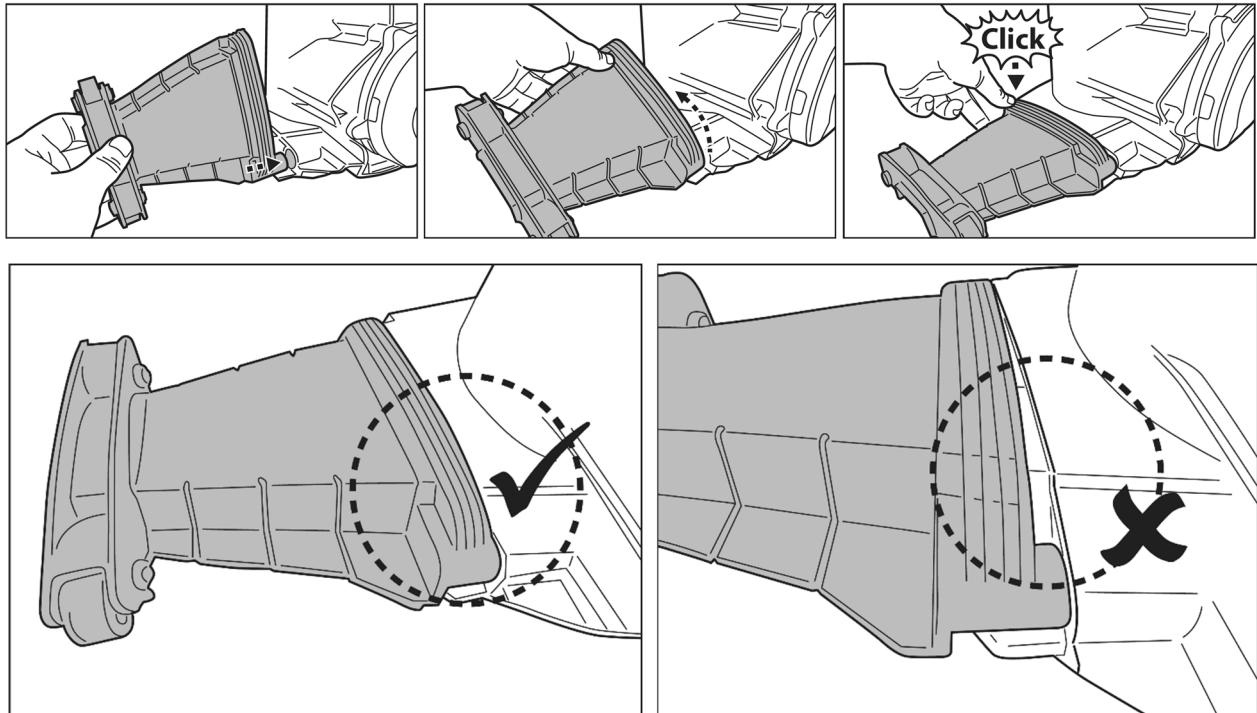
OPMERKING: Laat de zwembadstofzuiger ongeveer 30 tot 40 minuten rusten voordat u die opnieuw oplaadt.

Instellen voor gebruik

Deze zwembadstofzuiger heeft verwijderbare extensies die kunnen worden verwijderd om de smalle gebieden schoon te maken.

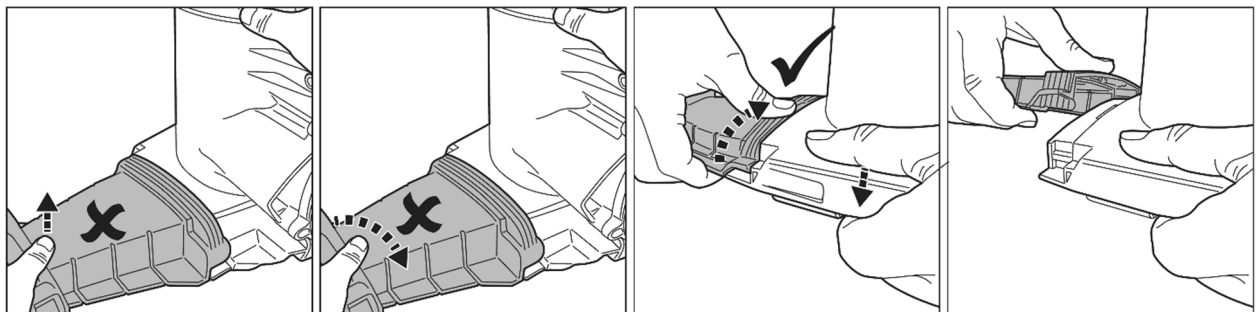
Extensie monteren

Steek de steel van de vleugel in het gat aan de zijkant van het hoofdlichaam. Draai de vleugel en druk erop om deze aan het hoofdlichaam te bevestigen. U hoort een "klikgeluid".



Extensie demonteren

Keer de stappen om om de extensie van het hoofdapparaat te demonteren.



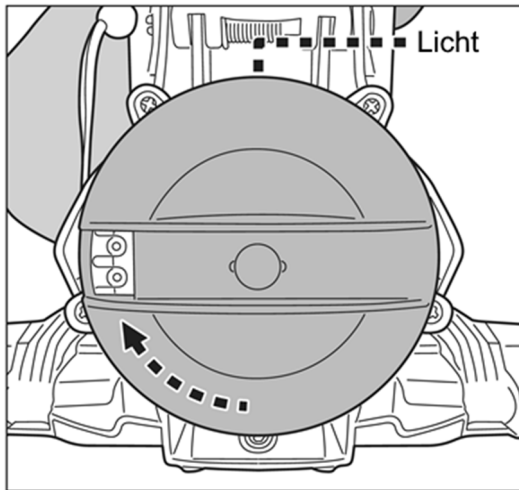
Vorbereiding zwembad

- Als de liner broos, beschadigd of gerimpeld is, neem dan contact op met een gekwalificeerde professional om de nodige reparaties uit te voeren of de liner te vervangen voordat u de zwembadstofzuiger gebruikt.

- Als u een zoutwaterzwembad gebruikt, zorg er dan voor dat al het zout is opgelost voordat u de zwembadstofzuiger in het water plaatst.

GEBRUIK

- 1) Breng uw zwembadstofzuiger naar de zijkant van uw zwembad. Draai de schakelknop met de klok mee totdat deze klikt om de watersensoren bloot te leggen. Het licht bovenaan wordt blauw. Dompel de zwembadstofzuiger onder in water, het licht wordt onmiddellijk groen en de waaier begint na 4-5 seconden te draaien.

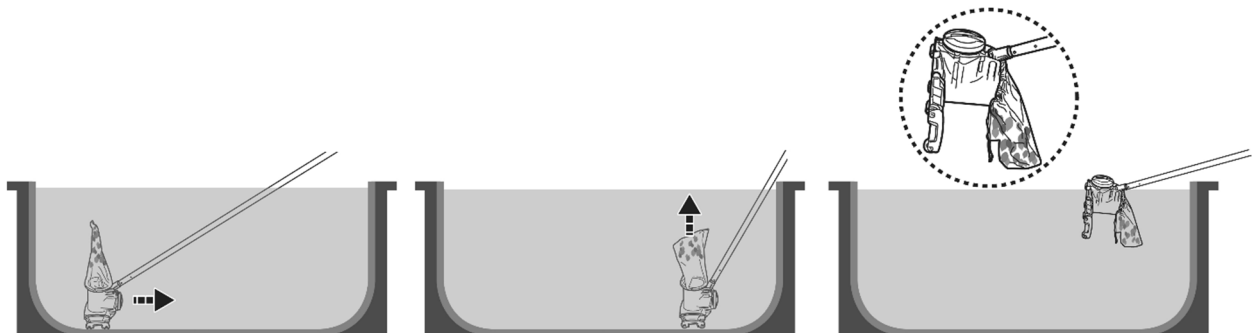


Kleur licht	
Blauw	Ingeschakeld (klaar voor gebruik)
Blauw-Flikkerend	Batterijniveau is laag
Groen	In bedrijf
Groen-Flikkerend	Batterijniveau is laag
Groen licht uit	Batterij is leeg (moet worden opgeladen)
Rood	Waaier stopt (waaier verstopt).

Om vuil effectief op te zuigen, moet u ervoor zorgen dat de zwembadstofzuiger plat op de vloer van het zwembad wordt gelegd terwijl u de stofzuiger in regelmatige beweging heen en weer over afvalresten stuurt om de resten op te vangen. Vuil wordt verzameld aan de voorkant, zij- en achterkant om de filterzak op te vullen.

Overmatig vuil en afval in het zwembad kunnen de waaier verstopten, die automatisch zou stoppen om de motor te beschermen en het indicatielampje zou rood worden. Verwijder de stofzuiger uit het zwembad en schakel de stofzuiger uit voordat u de filterzak ontstopt en leegmaakt als deze vol is. Om de werking te hervatten, draait u de schakelknop linksom totdat Uitschakelen is geselecteerd en draait u de knop vervolgens met de klok mee om Inschakelen te selecteren.

- 2) Om de zwembadstofzuiger te verwijderen, brengt u de stofzuiger naar het zwembad en draait u hem ondersteboven voordat u hem optilt. Dit wordt gedaan om te voorkomen dat puin zich terug in het zwembad verspreidt (vooral als u de fijne filterzak gebruikt) en om te voorkomen dat de paal daarbij wordt gebogen.



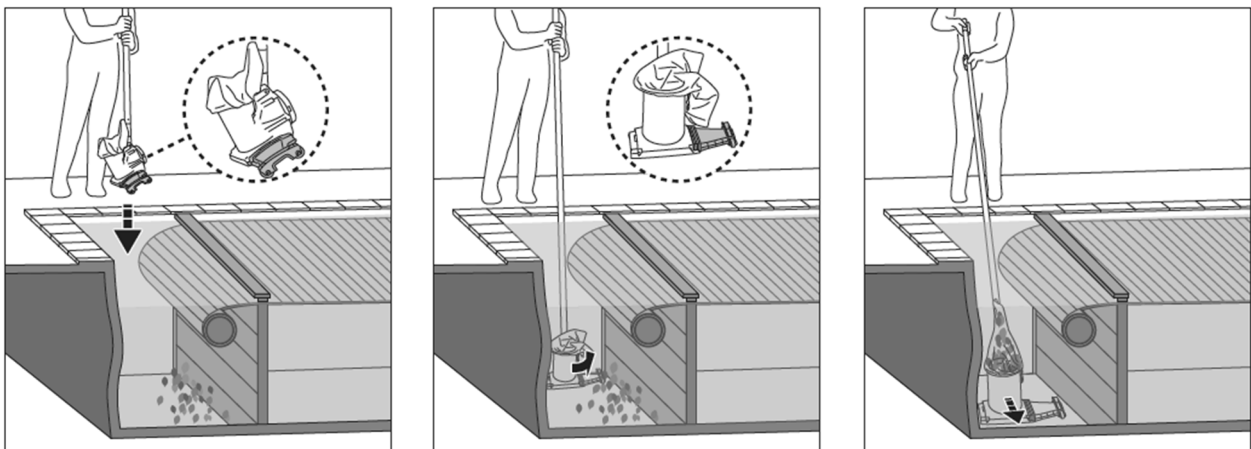
Zodra de zwembadstofzuiger uit het water is, stopt de waaier binnen 2-3 seconden met draaien. Het LED-lampje wordt blauw. Wanneer het batterijniveau laag is, knippert het blauwe lampje.

- 3) Spoel de zwembadstofzuiger na elk gebruik met zoet water. Gebruik GEEN agressieve schoonmaakmiddelen..
- 4) Droog de laadpoort en pinnen grondig (TIPS: gebruik wattenstaafje om ze te drogen)

Zuigen van het dieperliggende compartiment van een Automatische Lamellenafdekkingen

WAARSCHUWING! Houd op voorhand rekening met alle veiligheids waarschuwingen in de handleiding van uw automatische lamellenafdekking met betrekking tot deze reinigingshandeling.

- De minimale afstand die nodig is voor het onderdompelen van de zuiger in het dieperliggende compartiment is 30 cm (12in).



- Verwijder de vlonder en rol de lamellenafdekking van het zwembad af volgens de instructies in de handleiding van uw zwembadafdekking.
- Maak een verlengstuk van de bodemzuiger los voordat u deze in het zwembad dompelt.
- Bevestig een uitschuifbare steel (niet meegeleverd) aan de zuigerhandgreep zoals aangegeven in de handleiding.
- Schakel de bodemzuiger in en lijn hem vervolgens uit zoals aangegeven in de bovenstaande afbeelding voordat u hem onderdompelt.
- Zodra de reiniger de zwembadbodem bereikt heeft, moet u deze evenwijdig met de zwembadlengte plaatsen, zoals hierboven aangegeven. U kunt nu beginnen met het zuigen van het verzonken compartiment.

DE FILTERZAK SCHOONMAKEN / PATROONFILTER

Opmerking: De patroonfilterzak wordt niet noodzakelijkerwijs bij elk model meegeleverd.

OPGEPAST! Zorg ervoor dat de zwembadstofzuiger UIT is voordat u de filterzak schoonmaakt/patroonfilter.

Het regelmatig wassen van de filterzak en het patroonfilter helpt om tijdens de werking een goede zuigkracht en een nauw contact tussen de bodemzuiger en de zwembadbodem te behouden. Plaats de stofzuiger op een vlakke ondergrond. Druk op de koordsluiting om de zak van het hoofdgedeelte te halen. Het wordt aanbevolen om de filterzak na elke reinigingscyclus van het zwembad met een waterstraal te wassen.

Spuit onder een hoek om het vuil tussen de plooien van de patroonfilter te verwijderen. Gebruik nooit een hogedrukreiniger, want die beschadigt de patronen.

Om hardnekkig vuil of aanslag op een verstopt filter te verwijderen, wast u de filterzak in een wasmachine op 30°C watertemperatuur. Voor een patroonfilter, laat u het 2-3 uur weken in water met afwasmiddel en spoelt u het daarna af met een waterstraal. Als borstelen noodzakelijk wordt geacht, gebruik dan alleen een zachte borstel om het voorzichtig schoon te maken om schade te voorkomen.

ONDERHOUD & OPSLAG

OPMERKING:

1. Zorg ervoor dat u de plaatsen rond de laadpoort en de watersensoren na elk gebruik reinigt en droogt om de vorming van vlekken te voorkomen (bijproduct van een natuurlijke chemische reactie tussen elektrische stroom en water). Anders kunnen de vlekken worden verwijderd door licht te schrobben met een in citroensap of azijn gedrenkt wattenstaafje.
2. De batterij zal ontladen tijdens de opslag. Laad de bodemzuiger tot ongeveer 30% - 50% van de laadcapaciteit op voordat u hem opbergt.
3. Herlaad de batterij minstens om de drie maanden wanneer hij niet in gebruik is.
 - Trek de externe adapter uit het stopcontact en de laadkabel uit de laadstekker.
 - Maak accessoires los van de zwembadstofzuiger. Spoel indien nodig het zwembadvacuüm en de accessoires met zoet water. Gebruik GEEN agressief schoonmaakmiddel.
 - Zorg ervoor dat u de zwembadstofzuiger droogt voordat u die opbergt.
 - Gebruik een vochtige doek om de zwembadstofzuiger en de accessoires te reinigen en te drogen.
 - Bewaar ze in een goed geventileerde ruimte, uit de buurt van zonlicht, hitte, ontstekingsbronnen, chemicaliën in het zwembad en van kinderen. De omgevingstemperatuur voor opslag moet 10°C - 25°C zijn. **OPMERKING:** Een hogere opslagtemperatuur kan de levensduur van de batterij verkorten.

WAARSCHUWING!

Probeer in geen geval zelf de hoofdunit te demonteren en de waaier, motor en batterij zelf te vervangen.

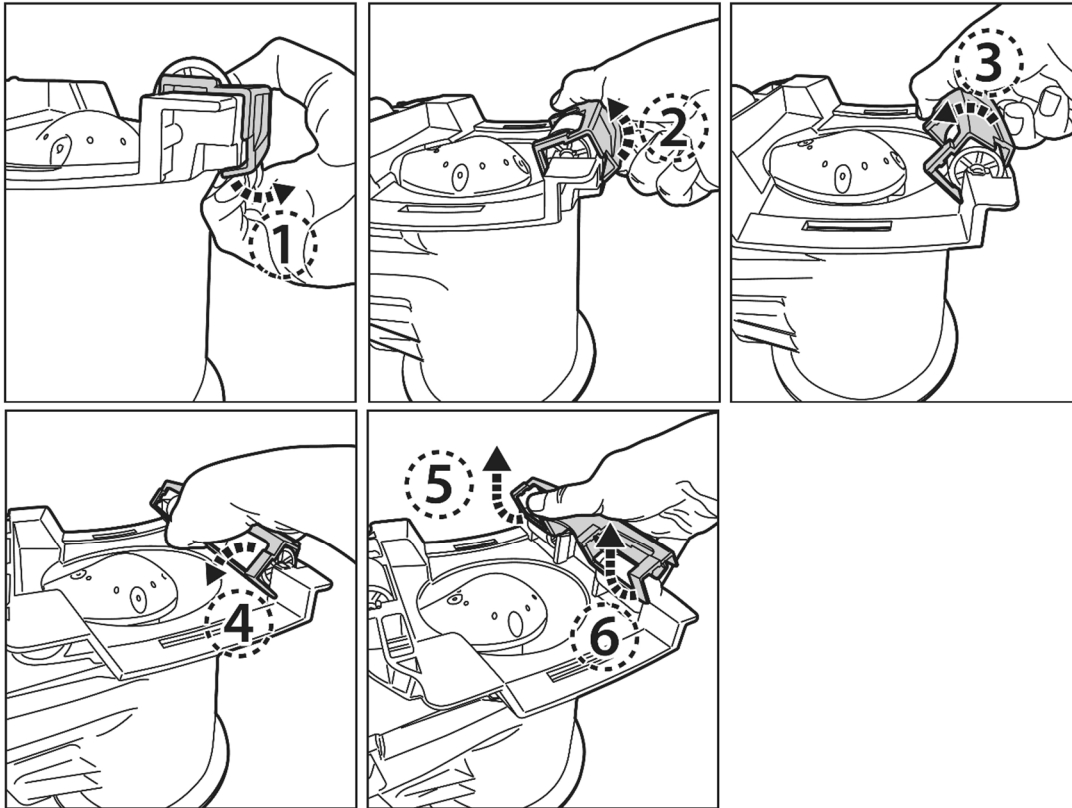
OPGEPAST!

- Overmatige hitte kan de batterij beschadigen en de levensduur van uw zwembadstofzuiger verminderen.
- Raadpleeg uw dealer voor het vervangen van de batterij als het volgende gebeurt:
 - Batterij wordt niet volledig opgeladen.
 - De gebruiksduur van de batterij is aanzienlijk korter. Bekijk en noteer de looptijden van de eerste paar ingebruiknames (op volledige lading). Gebruik deze looptijden als referentiepunt voor vergelijking met looptijden in de toekomst.

- De batterij moet uit de zwembadstofzuiger worden verwijderd voordat deze wordt afgedankt.
- De batterij moet veilig worden weggegooid in overeenstemming met de plaatselijke verordeningen of voorschriften.

OPMERKING: Onjuist onderhoud kan de levensduur van de batterij verkorten en daardoor de capaciteit beïnvloeden.

Vervanging van de voorwielen



Voordat u de beschadigde voorwielen losmaakt, moet u eerst het frame losmaken.

1. Wrik en til de rand van het frame omhoog.
- 2/3/4. Draai het frame naar de andere kant.
5. Pak een uiteinde en til het op.
6. Til het andere uiteinde op om het hele frame los te maken en het beschadigde wiel te vervangen.

VERWIJDERING VAN DE BATTERIJ (Uit te voeren door geautoriseerde technicus)

Uw zwembadstofzuiger is uitgerust met een onderhoudsvrije oplaadbare lithium-ionbatterij, die op de juiste manier moet worden weggegooid. Recycling is vereist; Neem contact op met uw lokale autoriteit voor meer informatie.

WAARSCHUWING! Probeer nooit een batterij uit elkaar te halen

- Verwijder alle persoonlijke items zoals ringen, armbanden, kettingen en horloges wanneer de accu niet is aangesloten op de zwembadstofzuiger.
- Een batterij kan een kortsluitstroom produceren die hoog genoeg is om een

ring (of vergelijkbaar voorwerp) aan metaal te lassen, wat een ernstige brandwonde in het proces veroorzaakt.

- Draag volledige oogbescherming, handschoenen en beschermende kleding wanneer de batterij wordt verwijderd.
- Raak de draden helemaal niet aan en vermijd contact tussen de draden en metalen voorwerpen, die vonken en/of kortsluiting van de batterij kunnen veroorzaken.
- Rook nooit en laat geen vonk of vlam in de buurt van de batterij of de zwembadstofzuiger.
- Stel de batterij niet bloot aan vuur of intense hitte, omdat dit kan leiden tot een explosie.

OPGEPAST!

Als een batterij lekt, vermijd dan contact met de lekkende vloeistoffen en plaats de beschadigde batterij in een plastic zak.

- Als lekkende vloeistoffen in contact komen met huid en kleding, onmiddellijk wassen met veel zeep en water.
- Als lekkende vloeistoffen in contact komen met de ogen, wrijf ze dan niet uit en spoel ze onmiddellijk gedurende minimaal 15 minuten met koud stromend water. Roep zo snel mogelijk medische hulp in.

Hoe de accu te verwijderen, enkel voor het weggooien van de batterij (Uit te voeren door een geautoriseerd technicus)

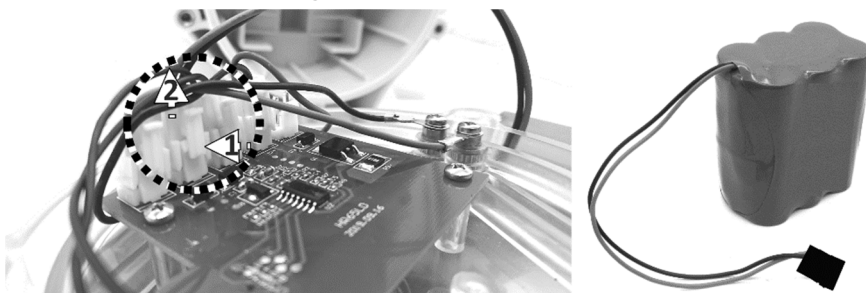
Aanbevolen gereedschap (niet inbegrepen): schroevendraaier.

WAARSCHUWING! De zwembadstofzuiger moet worden losgekoppeld van de netvoeding voordat u de accu verwijdert.



1. Plaats de zwembadstofzuiger op een vlakke ondergrond. Gebruik de schroevendraaier om de schroeven op de achterklep los te draaien. Verwijder de batterij uit de kamer.



2. Om de batterijverbindingsdraad los te maken, drukt u op de clip van de connector om deze eruit te trekken. **OPMERKING:** Wikkel de connector onmiddellijk met isolatietape in om kortsluiting door het contact van beide draadaansluitingen te voorkomen.



PROBLEMEN OPLOSSEN

Probleem	Mogelijke Oorzaak	Oplossing
Reiniger begint niet onder water te werken (na 5-10 seconden).	Bevlekte watersensoren	De vlekken kunnen worden verwijderd met een wattenstaafje gedrenkt in sap van citroen of azijn om de gebieden rond de watersensoren schoon te maken.
	Lege batterij	Laad de zwembadstofzuiger op.
Vangt het puin niet op / vuil lekt in het zwembad	Lage batterij	Laad de zwembadstofzuiger op.
	Vastgelopen waaier	Verwijder de zwembadstofzuiger uit het water en draai de knop linksom om deze uit te schakelen. Controleer en kijk of de waaier is vastgelopen door groot vuil. Verwijder het vuil. Neem indien nodig contact op met uw dealer voor verdere instructies. WAARSCHUWING! Zorg ervoor dat de zwembadstofzuiger is uitgeschakeld voordat het apparaat wordt onderhouden.
	Gebroken waaier	Neem contact op met uw dealer voor vervanging.
	Filterzak is vol / verstopt	Reinig de filterzak.
Wiel los van de behuizing	Controleer of het wiel/de wielhouder stuk is	Vervang met een nieuw(e) wiel/wielhouder
De oplaadtijd is langer dan geadverteerd	Bevlekte oplaadpennen	De vlekken kunnen worden verwijderd met een wattenstaafje gedrenkt in sap van citroen of azijn om de gebieden rond de oplaadpennen schoon te maken.
Reiniger kan niet worden opgeladen	Beschadigde batterij	Neem contact op met dealer voor het vervangen van de batterij. WAARSCHUWING! Vervang de batterij NIET zelf. Dit kan ernstig of dodelijk letsel tot gevolg hebben en de garantie vervalt.
	Laadstekker is niet correct aangesloten op externe adapter en zwembadstofzuiger	Raadpleeg de handleiding en sluit de oplaadaccessoires correct aan.
	Externe adapter is defect	Neem contact op met dealer voor vervanging. WAARSCHUWING! Het gebruik van de verkeerde externe adapter leidt tot beschadiging van de zwembadstofzuiger / batterij en maakt de garantie ongeldig.
Milieuprogramma's, WEEE Europese Richtlijn		
	Gelieve de regelgeving van de Europese Unie na te leven en zo het milieu te beschermen. Voer afgedankte elektrische apparatuur af naar een speciaal gemeentelijk inzamelpunt dat elektrische en elektronische apparatuur correct recyclet. Werp het niet weg bij ongesorteerd afval. Haal eventuele verwijderbare batterijen uit de afgedankte apparatuur.	
	© 2021 BWT Holding GmbH. 21011004 Alle rechten voorbehouden. Niets van dit document mag worden vermenigvuldigd of doorgegeven in welke vorm of op welke wijze dan ook, zij het elektronisch, mechanisch, op fotokopie, opgenomen of op enige andere wijze, zonder de voorafgaande schriftelijke toestemming van BWT Holding GmbH. (V1)	

Als een kopie van deze handleiding vereist is, neem dan contact op met onze klantenservice via e-mail.

BEWAAR DEZE INSTRUCTIES

VARNINGAR & SÄKERHETSANVISNINGAR

Informationen i denna användarhandbok hjälper dig att använda enheten på ett säkert sätt, skydda dig själv och andra från risker och förhindra skador på enheten och annan egendom.

SPARA DE HÄR ANVISNINGARNA

VARNING!

- Detta är ingen LEKSAK. Barn ska hållas på behörigt avstånd från pooldammsugaren och dess tillbehör.
- Låt aldrig barn sköta den här pooldammsugaren.
- Denna apparat är inte avsedd att användas av personer med nedsatt fysisk, sensorisk eller mental förmåga, eller med bristande erfarenhet och kunskap, om de inte hålls under uppsikt av en person som är ansvarig för deras säkerhet eller har fått instruktioner om hur de ska använda produkten på ett säkert sätt och förstår riskerna med hanteringen.
- Barn får inte leka med produkten.
- Rengöring och underhåll av pooldammsugaren får inte utföras av barn.
- Se till att pooldammsugaren är helt nedsänkt i poolen innan den tas i bruk. När pooldammsugaren används måste vattennivån täcka hela pooldammsugaren. Om pooldammsugaren används utan att vara nedsänkt på rätt sätt kan den skadas och garantin kan upphävas.
- Maximalt användningsdjup i vatten är 3 meter (9,8 fot).
- Maximal vattentemperatur: 5°C (41°F) – 35°C (95°F)
-  Löstagbar strömförsörjningsenhet (extern adapter).
- Använd endast den externa adaptern och laddkontakten som medföljer produkten för att ladda upp pooldammsugaren.
- Använd endast den löstagbara strömförsörjningsenheten (extern adapter med modellnummer: DSS12D-1351000-B / DSS12D-1351000-C / DSS12D-1351000-D/ LX135100U) som tillhandahålls med pooldammsugaren för att ladda batteriet.
- Anslut den externa adaptern till en strömkälla via en jordfelsbrytare (JFB). Kontakta en elektriker om du är osäker.
- Använd inte pooldammsugaren om den är skadad.
- Ersätt skadade delar med reservdelar som godkänts av distributören eller tillverkaren.
- Stäng av dammsugaren, koppla bort den externa adaptern från strömkällan, och dra ur den externa adaptern från laddkontakten innan du kopplar ur pooldammsugaren från laddkontakten.
- Koppla ur pooldammsugaren från eluttaget och se till att du stängt av den innan planerat underhålls utförs, såsom rengöring av filterpåsen.
- Försök inte byta ut det installerade, uppladdningsbara litiumjonbatteriet.
- TA INTE I pooldammsugaren, den externa adaptern eller laddkontakten med blöta händer och utan skor medan den laddas.
- Pooldammsugaren får inte användas när människor eller husdjur

befinner sig i vattnet.

- Använd INTE pooldammsugaren utan en oskadad filterpåsen monterad, annars upphävs garantin.
- Fara för insugning: Pooldammsugaren genererar sugkraft. Låt inte håret, kroppen eller lösa klädesplagg komma i kontakt med sugöppningen när pooldammsugaren är i drift.
- Stoppa aldrig in kroppsdelar, kläder eller andra föremål i pooldammsugarens öppningar eller rörliga delar.
- Använd INTE pooldammsugaren för att samla upp giftiga substanser, lättantändliga eller brännbara vätskor (som bensin) i närheten av explosiva eller lättantändliga gaser.
- Plocka aldrig isär pooldammsugaren på egen hand för att byta ut fläkthjulet, motorn eller batteriet.
- Stoppa aldrig in fingrar eller andra föremål för att röra vid fläkthjulet.
- Det inbyggda batteriet måste tas bort av en kvalificerad tekniker innan det kasseras.
- Den här pooldammsugaren innehåller ett batteri som endast får plockas bort av yrkeskunniga personer.
- Pooldammsugaren måste vara bortkopplad från strömkällan när batteriet tas bort.
- Detaljerade anvisningar angående återvinning/kassering av batteriet finns i avsnittet "KASSERING AV BATTERI" i denna användarhandbok och du kan även kontakta de lokala myndigheterna för mer information.
- Batteriet måste kasseras på ett säkert sätt och i enlighet med lokala förordningar eller föreskrifter.

- Extern adapter och laddkontakt:
 - Använd aldrig den externa adaptern och laddkontakten till något annat än att ladda det batteri som medföljer pooldammsugaren i samma förpackning.
 - Den externa adaptern och laddkontakten får inte användas utomhus eller utsättas för regn, fukt, vätska eller stark värme.
 - Transformatorn (eller den externa adaptern) ska vara placerad utanför zon 1.
 - Se till att den externa adaptern och laddkontakten är utom räckhåll för barn.
 - Använd aldrig den externa adaptern och laddkontakten om de är skadade.
 - TA INTE I den externa adaptern och laddkontakten med blöta händer.
 - TA INTE I pooldammsugaren, den externa adaptern, och laddkontakten med blöta händer och utan skor medan den laddas.
 - Se till att den externa adaptern är urkopplad från strömförsörjningen när den inte används.
 - Försök aldrig öppna den externa adaptern eller laddkontakten.
 - Om den externa adapterns strömsladd är skadad, måste

adaptern bytas ut av tillverkaren eller deras servicerepresentant för att förebygga olycksrisker.

- Försäkra dig om att pooldammsugaren och laddkontakten är helt torra före laddning.

VAR FÖRSIKTIG!

- Den här pooldammsugaren är endast avsedd för undervattensanvändning; den får inte användas som hushållsdammsugare. Försök INTE använda den för rengöring av något annat än din pool / ditt spa.
- Använd endast de originaltillbehör som medföljer produkten.
- Använd INTE pooldammsugaren direkt efter en chocklorering. Vi rekommenderar att låta poolvattnet cirkulera i minst 24-48 timmar.
- Om du tänker använda pooldammsugaren i en saltvattenpool måste saltet vara helt upplöst innan du sätter ned pooldammsugaren.
- Använd INTE pooldammsugaren samtidigt med någon annan automatisk rengöringsanordning i poolen/spat.
- Undvik att samla upp hårda, vassa föremål från poolen med den här produkten, annars finns risk för skador på pooldammsugaren och filtret.
- För att undvika skador på den externa adaptern och laddkontakten ska du inte försöka bära pooldammsugaren i adaptersladden / laddkontakten eller dra i sladden när du lossar den från strömkällan och från laddkontakten.
- Ladda pooldammsugaren inomhus på en ren, torr plats med bra ventilation och borta från solljus.
- Lämna INTE en fulladdad pooldammsugare på laddning i mer än 10 timmar.
- Om pooldammsugaren inte ska användas under en längre period ska du koppla bort den från laddkontakten och torka av den och tillbehören med en fuktig trasa. Se till att pooldammsugaren är laddad till mellan 30% och 50% av batterikapaciteten innan den ställs i förvaring. Förvara den på en plats med bra ventilation skyddad från solljus, värme, antändningskällor, poolkemikalier och barn. Lämna aldrig pooldammsugaren inkopplad under långtidsförvaring. Ladda upp pooldammsugaren var tredje månad.
- Alla åtgärder som involverar att plocka isär huvudenheten (som kassering av batteriet) får endast genomföras av en kvalificerad tekniker.

Ovanstående varningar och försiktighetsåtgärder omfattar inte alla tänkbara risker och/eller allvarliga skador. Pool- / spabadsägare ska alltid använda produkten med extra försiktighet och sunt förnuft t.

Anmärkning: Bilderna och ritningarna av produkter/delar i denna handbok visas endast i illustrativt syfte. Produkterna/delarna på bilderna/ritningarna kan avvika från den modell du har köpt. Tillbehör/delar som visas i denna handbok och i bilddiagrammet över delarna medföljer inte nödvändigtvis alla modeller.

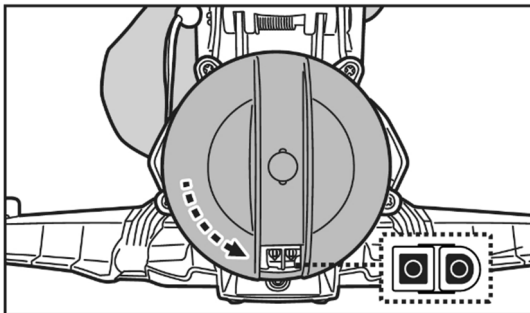
ATT KOMMA IGÅNG

Ladda batteriet

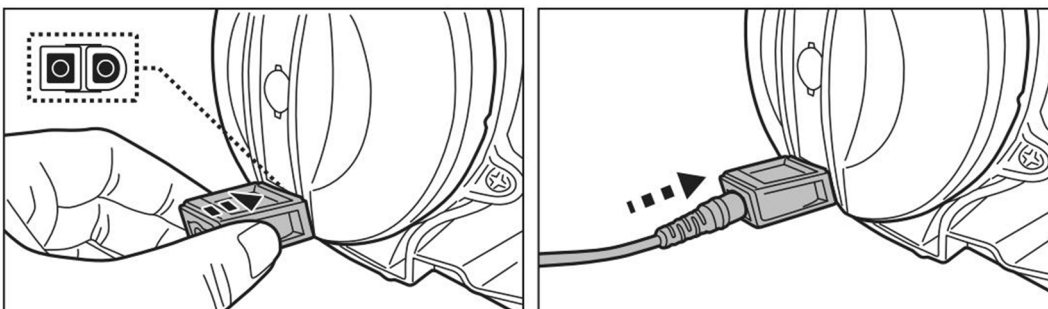
VIKTIG ANMÄRKNING: Se till att pooldammsugaren är fulladdad (omkring 6 timmars laddning) innan den används för första gången.

VARNING!

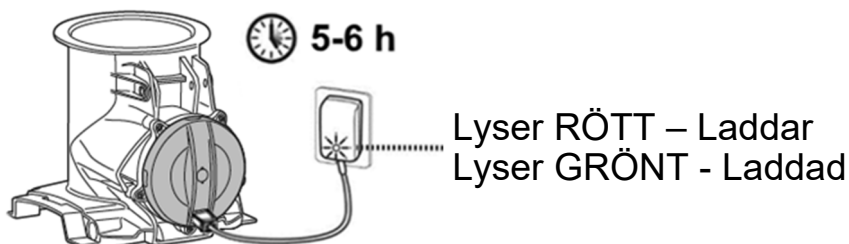
- Använd endast den medföljande externa adaptern och laddkontakten.
- Försäkra dig om att pooldammsugaren och laddporten är rena och torra före konfigurering och laddning. (TIPS: använd en bomullspinne för att torka av laddporten och laddstiften)
- Laddstiften är vattentäta. Dock kan kvarvarande vatten i porten och runt stiften leda till fläckar (en naturlig följd av en kemisk reaktion mellan vatten och elström). Fläckarna kan avlägsnas genom att försiktigt gnugga med en bomullspinne fuktad med citronsaft eller vinäger.
- Placera apparaten på ett plant underlag. Ställ strömbrytaren i läget AV/Laddning genom att vrida den motsols tills den klickar och helt frilägger laddporten.



- Placera laddkontakten i rätt position och sätt in den i laddporten. **VARNING!** Se till att laddkontakten är rättvänd och försäkra dig om att både laddkontakten och laddporten är rena och torra före laddning. TIPS: Använd en bomullspinne för att torka av laddporten och laddstiften. Stick in den externa adapters laddkabel i laddkontakten.



- Anslut den externa adaptorn till strömkällan. Indikatorlampan på den externa adaptorn lyser rött när laddning pågår och grönt när den är fulladdad. Ladda den under 5-6 timmar för bästa prestanda.



- Koppla omedelbart ur den externa adaptorn från strömkällan om du upptäcker något av följande:
 - Obehaglig eller ovanlig lukt
 - Stark värme
 - Deformation, sprickor, läckor
 - Rök
- När laddningen är klar ska du koppla ur den externa adaptorn från strömkällan och dra ut laddkabeln från laddkontakten. Koppla ur laddkontakten från huvudenheten. **WARNING!** Lämna aldrig laddkontakten i medan pooldammsugaren är i vattnet.

Normalt sett kan pooldammsugaren arbeta i upp till 75 minuter när den är fulladdad.
Anmärkning: Töm filterpåsen regelbundet. För mycket skräp inuti ökar belastningen på motorn och kan leda till förkortad drifttid.

FAKTAUPPLYSNING: Det uppladdningsbara litiumjonbatteriet är klassat som en förbrukningsvara. Det har en begränsad livslängd och kommer gradvis att förlora sin förmåga att behålla en laddning. Därför kommer pooldammsugarens drifttid gradvis att minska genom upprepade uppladdning och urladdning under produktens livstid.

När batteriet når slutet av sin livstid, se avsnittet "KASSERING AV BATTERI" för anvisningar om hur du ska kassera batteriet.

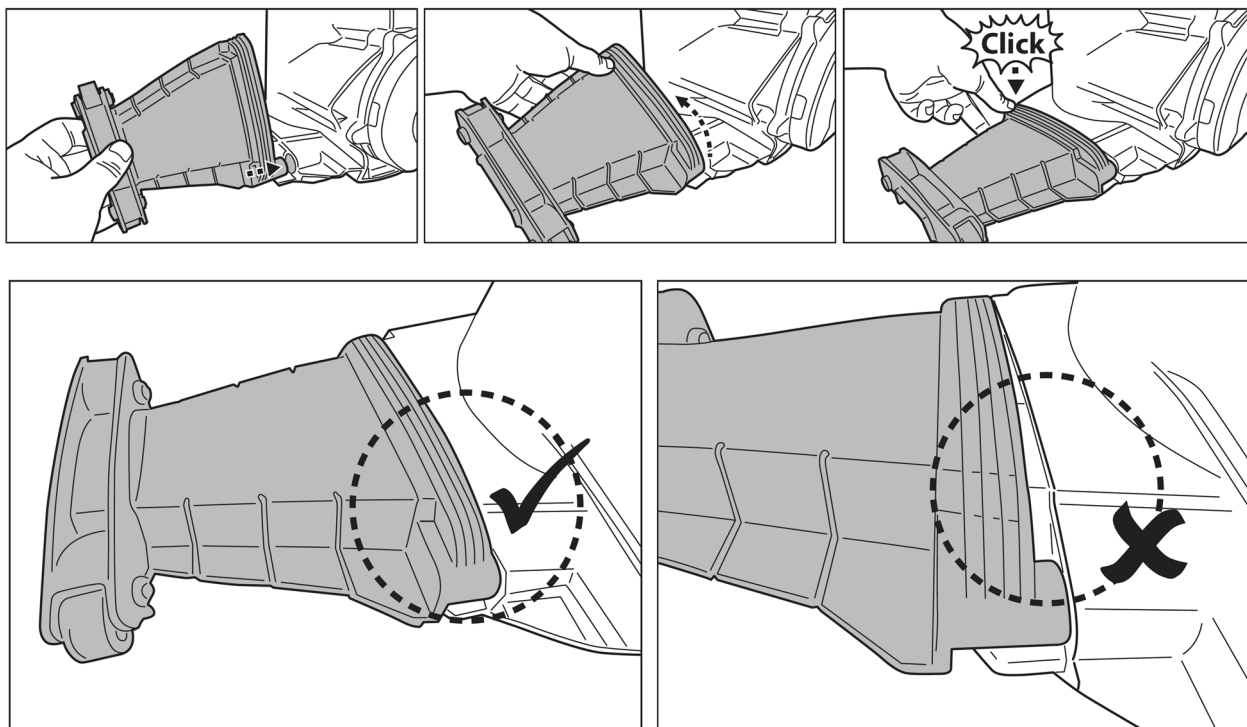
ANMÄRKNING: Låt pooldammsugaren vila i cirka 30 till 40 minuter innan du laddar upp den igen.

Inställningar före idrifttagning

Den här pooldammsugaren har avtagbara sidoförlängningar som kan tas av för att dammsuga smala ytor.

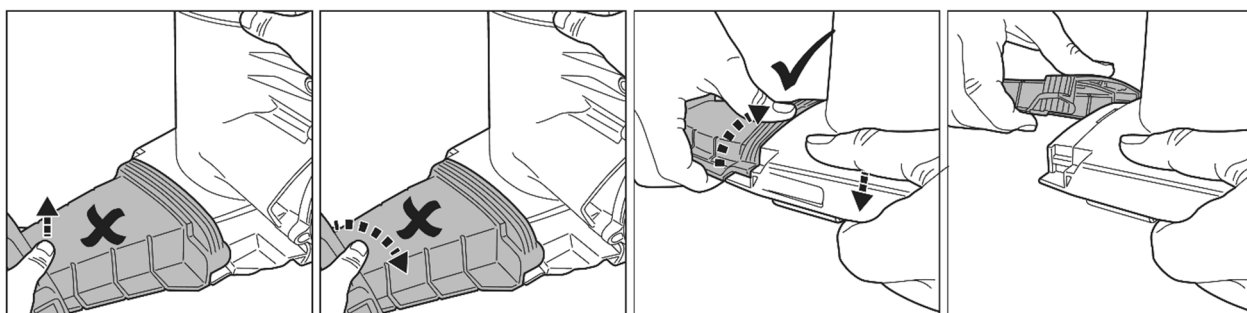
Montering av sidoförlängning

För in vingens stam i hålet på sidan av huvudkroppen. Vrid vingen och tryck in den för att fästa den i huvudkroppen. Du kommer att höra ett "klick".



Demontering av sidoförlängningar

Gör stegen i omvänd ordning för att plocka bort förlängningen från huvudenheten.



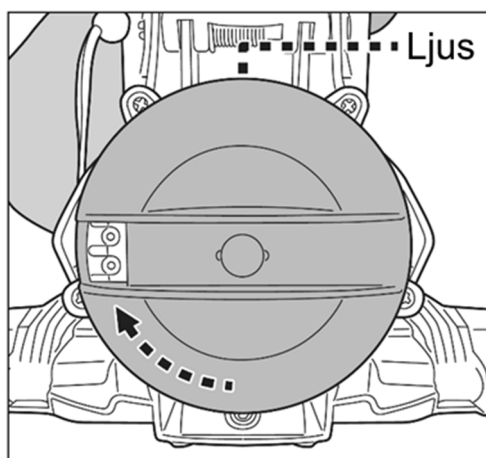
Förberedelse av poolen

- Om tätskiktet är skört, skadat eller veckat bör du kontakta en kvalificerad tekniker och be denne utföra nödvändiga reparationer eller byta ut tätskiktet innan pooldammsugaren används.
- Om du har en saltvattenpool måste saltet vara helt upplöst innan du placerar pooldammsugaren i vattnet.

DRIFT

- 1) Bär pooldammsugaren till sidan av poolen. Vrid strömbrytaren medsols tills den klickar och frilägger vattensensorerna. Lampan högst upp börjar lysa blått. Sänk

ned pooldammsugaren i vattnet, lampan börjar omedelbart att lysa grönt och fläkthjulet startar efter 4-5 sekunder.

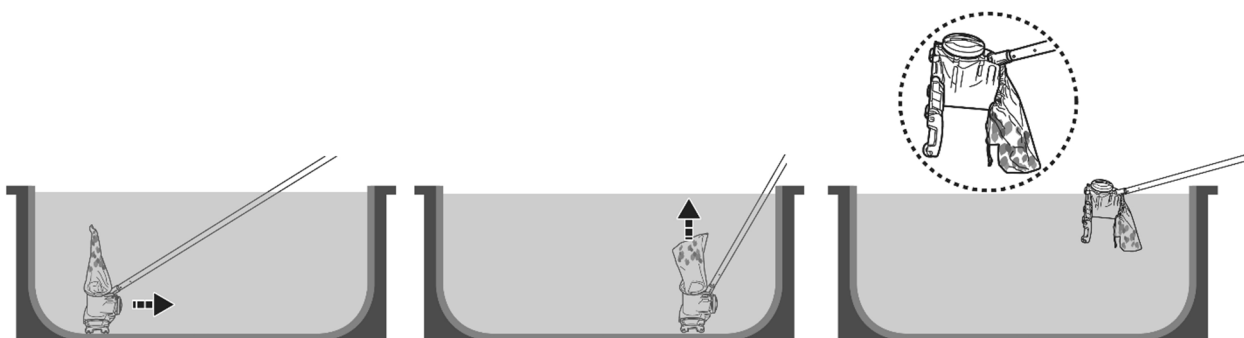


Ljus färg	
Blått	Strömmen är på (redo att tas i drift)
Blått – Blinkar	Batterinivån är låg
Grönt	I drift
Grönt - Blinkar	Batterinivån är låg.
Grönt ljus har slocknat	Batteriet är urladdat (behöver laddas upp)
Rött	Fläkthjulet stannar (fläkthjulet igentäppt).

För att den ska dammsuga upp skräp effektivt ska pooldammsugaren ligga platt mot poolgolvet medan du styr den fram och tillbaka med regelbundna rörelser över ansamlingar av skräp för att suga upp det. Skräp sugas in framifrån, från sidan och bakifrån, in i filterpåsen.

Om det är för mycket smuts och skräp i poolen kan fläkthjulet bli igentäppt, i vilket fall det stannar automatiskt för att skydda motorn, och indikatorlampan lyser rött. Plocka upp dammsugaren ur poolen och stäng av den innan du rensar bort det som täpper igen fläkthjulet och tömmer filterpåsen om den är full. För att fortsätta dammsuga, vrid strömbrytaren motsols till läget AV, och därefter medsols till läget PÅ.

- 2) För att plocka upp pooldammsugaren, dra in den till sidan av poolen och vänd den upp och ner innan du lyfter upp den. Detta gör du för att förhindra skräp från att ramla tillbaka ner i poolen (särskilt när du använder en fin filterpåse) och för att undvika att böja stängningen i processen.



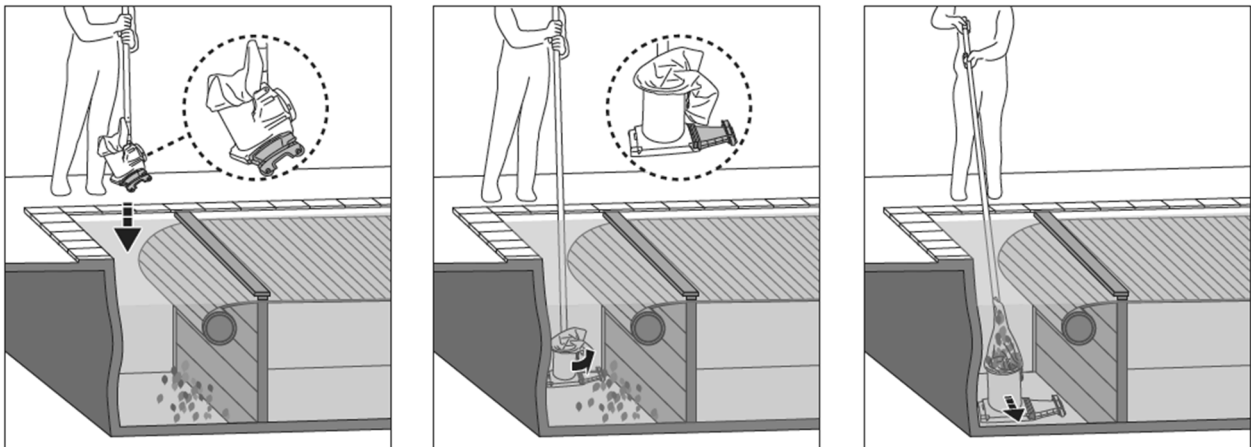
När pooldammsugaren plockats ut ur vattnet, slutar fläkthjulet att snurra inom 2-3 sekunder. LED-lampan börjar lysa blått. När batterinivån är låg blinkar den blå lampan.

- 3) Skölj av pooldammsugaren med färskvatten efter varje användning. Använd INTE något starkt rengöringsmedel.
- 4) Torka laddporten och laddstiften noggrant (TIPS: Använd en bomullspinne för att torka av dem).

Dammsugning av det nedsänkta utrymmet i en automatisk lamelltäckning

VARNING! Läs igenom alla säkerhetsvarningar angående den här rengöringen i bruksanvisningen till din automatiska lamelltäckning innan du börjar.

- För att kunna sänka ned pooldammsugaren i utrymmet måste det vara minst 30 cm (12 tum)



- Plocka bort gångbrädan och rulla upp lamellerna enligt anvisningarna från bruksanvisningen för din pooltäckning.
- Plocka bort en sidoförlängning från dammsugaren innan du sätter ned den i poolen.
- Fäst en teleskopstång (medföljer ej) i pooldammsugarens handtag enligt bruksanvisningen.
- Sätt på dammsugaren och placera den som på bilden ovan innan du sänker ned den.
- När apparaten når poolgolvet, ställ den parallellt med poolens långsida och börja dammsuga det nedsänkta utrymmet.

RENGÖRING AV FILTERPÅSEN/PATRONFILTRET

Observera: Påse till patronfiltret medföljer inte nödvändigtvis alla modeller

VAR FÖRSIKTIG! Se till att pooldammsugaren är avstängd innan du rengör filterpåsen/patronfiltret.

Att tvätta filterpåsen regelbundet hjälper dig att bibehålla god sugkraft och en nära kontakt mellan dammsugaren och poolgolvet under driften.

Placera apparaten på ett plant underlag. Tryck på dragskon för att lossa påsen från huvudkroppen.

Vi rekommenderar att rengöra filterpåsen med en vattenstråle efter varje genomförd poolrengöring. Spola i sned vinkel för att få bort smutsen mellan vecken i patronfiltret.

Använd aldrig en högtryckstvätt då den kommer att skada patronen. För att få bort ingrodd smuts eller skum från ett igentäppt filter kan du tvätta filterpåsen i en tvättmaskin i vattentemperaturen 30 °C (86 °F). Vad gäller patronfiltret kan du lägga den i blöt med tvättmedel under 2-3 timmar och sedan skölja av det med en vattenstråle. Om du anser det nödvändigt att borsta av det, använd bara en mjuk borste för att rengöra det försiktigt och varsamt för att undvika att skada det.

UNDERHÅLL OCH FÖRVAR

ANMÄRKNING:

1. Se till att rengöra och torka områdena runt laddporten och vattensensorerna efter varje användningstillfälle för att undvika fläckbildning (en naturlig följd av en kemisk reaktion mellan elström och vatten). Fläckarna kan även avlägsnas genom att försiktigt gnugga med en bomullspinne fuktad med citronsaft eller vinäger.
2. Batteriet laddas ur automatiskt under förvaring. Se till att ladda pooldammsugaren till omkring 30% till 50% av batterikapaciteten innan den placeras i förvaring.
3. Du måste ladda upp batteriet minst en gång var tredje månad när dammsugaren inte används.
 - Dra ut den externa adaptern ur uttaget och sedan adapterkontakten från laddkontakten.
 - Ta bort alla tillbehör från pooldammsugaren. Vid behov kan du skölja pooldammsugaren och tillbehören med färskvatten. Använd INTE något starkt rengöringsmedel.
 - Försäkra dig om att pooldammsugaren är torr innan den ställs i förvaring.
 - Använd en fuktig trasa för att rengöra och torka pooldammsugaren och dess tillbehör.
 - Förvara dem i ett välventilerat utrymme skyddat från solljus, barn, värme, antändningskällor och poolkemikalier. Lufttemperaturen vid förvaring bör vara 10°C – 25°C (50°F – 77°F). ANMÄRKNING: Högre förvaringstemperatur kan reducera batteriets livslängd.

VARNING!

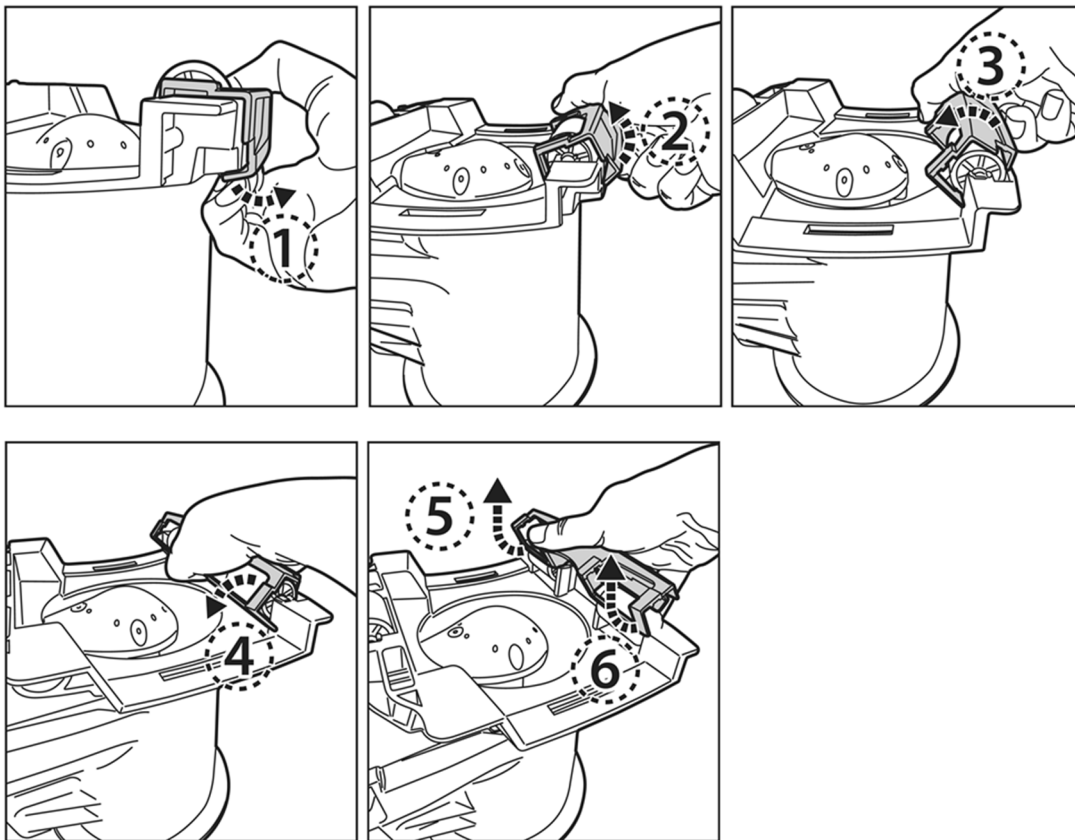
Du får aldrig försöka plocka isär pooldammsugaren på egen hand för att byta ut fläkthjulet, motorn eller batteriet.

VAR FÖRSIKTIG!

- Stark värme kan skada batteriet och därmed förkorta din pooldammsugares livslängd.
- Rådfråga din återförsäljare angående batteribyte om följande inträffar:
 - Batteriet blir inte fulladdat.
 - Batteriets drifttid är märkbart reducerad. Kontrollera och anteckna drifttiden under de första användningstillfällena (med ett fulladdat batteri). Använd denna information som utgångspunkt för att jämföra drifttiden i framtiden.
- Batteriet måste tas bort från roboten innan det kasseras.
- Batteriet måste kasseras på ett säkert sätt och i enlighet med lokala förordningar och föreskrifter.

ANMÄRKNING: Felaktigt underhåll kan reducera batteriets livslängd och påverka dess kapacitet.

Byte av framhjul



Innan du tar bort de skadade framhjulen måste du ta av höljet först.

1. Bänd upp och lyft upp änden på höljet.

2/3/4. Vrid höljet till den andra änden.

5. Välj en ände och lyft upp den.

6. Lyft upp den andra änden för att plocka av hela höljet och byta ut det skadade hjulet.

KASSERING AV BATTERI (Ska utföras av en kvalificerad tekniker)

Din robot är utrustad med ett underhållsfritt uppladdningsbart litiumjonbatteri som måste kasseras på rätt sätt. Återvinning är obligatorisk. Kontakta de lokala myndigheterna för mer information

VARNING! Försök aldrig plocka isär batteripaketet.

- Ta av alla accessoarer såsom ringar, armband, halsband och klockor när batteripaketet tas bort från roboten.
- Ett batteri kan orsaka en kortslutningsström som är så stark att en ring (eller liknande föremål) kan svetsas fast i metall och orsaka svår brännskada.
- Använd heltäckande ögonskydd, handskar och skyddskläder när batteripaketet avlägsnas.
- Undvik att vidröra kablarna och låt dem inte komma i kontakt med

- metalföremål då det kan orsaka gnistbildning och/eller kortsluta batteriet.
- Rök aldrig och undvik gnistor eller lågor i närheten av batteriet eller roboten.
- Utsätt inte batteriet för eld eller stark hetta eftersom det kan medföra explosionsrisk.

VAR FÖRSIKTIG!

Om ett batteriläckage inträffar ska du undvika att komma i kontakt med batterivätskan och placera det skadade batteriet i en plastpåse.

- Om läckande vätskor kommer i kontakt med hud och kläder ska du omedelbart tvätta dig med riklig mängd tvål och vatten.
- Om läckande vätskor kommer i kontakt med ögonen ska du inte gnugga dig i ögonen utan omedelbart skölja dem med svalt rinnande vatten i minst 15 minuter utan att gnugga ögonen. Sök läkarvård så snart som möjligt.

Borttagning av batteripaketet för kassering av batteriet (Ska utföras av behörig tekniker)

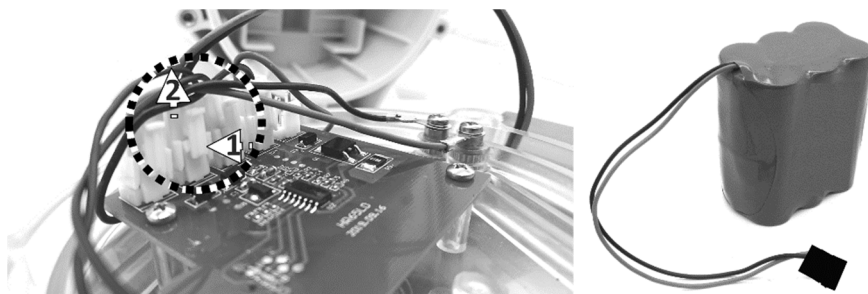
Rekommenderade verktyg (medföljer ej): Philips skruvmejsel

WARNING! Pooldammsugaren måste vara fränkopplad från strömkällan innan batteripaketet tas bort.



1. Placera pooldammsugaren på ett plant underlag. Använd skruvmejseln för att lossa skruvarna på bakstyckets kåpa. Plocka ut batteriet från batterifacket.



2. För att lossa batteriets anslutningstråd, tryck på kontaktens klämma och dra ut den. **ANMÄRKNING:** Linda omedelbart isoleringstejp runt kontakten för att undvika kortslutning orsakad av att de två anslutningsterminalerna kommer i kontakt med varandra.



FELSÖKNING

Problem	Möjlig orsak	Lösning
Apparaten startar inte under vattnet (efter 5-10 sekunder)	Nedfläckade vattensensorer	Fläckarna kan avlägsnas genom att använda en bomullspinne fuktad med citronsaft eller vinäger för att rengöra områdena runt vattensensorerna.
	Batteriet är urladdat.	Ladda pooldammsugaren.
Den samlar inte upp skräpet / skräp läcker ut i poolen	Låg batterinivå	Ladda pooldammsugaren.
	Fläkthjulet har fastnat	Plocka upp dammsugaren ur vattnet och vrid strömbrytaren motsols för att stänga av den. Kontrollera om fläkthjulet har fastnat som följd av skrymmande skräp. Ta bort skräpet. Kontakta din återförsäljare för ytterligare instruktioner vid behov. VARNING! Försäkra dig om att pooldammsugaren är avstängd innan underhåll genomförs.
	Fläkthjulet är trasigt	Kontakta din återförsäljare för reservdel.
	Filterpåsen är full / igentäppt	Rengör filterpåsen.
Hjulet har lossnat från kroppen.	Kontrollera om hjulet/hjulfästet är trasigt.	Ersätt med ett nytt hjul/hjulfäste.
Laddningstiden är längre än vad som utannonserats	Nedfläckade laddstift	Fläckarna kan avlägsnas genom att använda en bomullspinne fuktad med citronsaft eller vinäger för att rengöra områdena runt laddstiften.
Pooldammsugaren kan inte laddas	Batteriet är skadat.	Kontakta din återförsäljare för ett nytt batteri. VARNING! Byt INTE ut batteriet på egen hand. Det kan leda till allvarlig skada eller dödsfall och medför att garantin upphävs.
	Laddkontakten är inte korrekt ansluten till den externa adaptorn och pooldammsugaren	Se bruksanvisningen för hur du ska koppla ihop laddningstillbehören korrekt.
	Den externa adaptorn är trasig.	Kontakta din återförsäljare för reservdelar. VARNING! Att använda fel sorts extern adapter leder till skador på pooldammsugaren / batteriet och till att garantin upphävs.
Miljöprogram, EU-direktiv (WEEE)		
	Vänligen respektera EU:s förordningar och hjälp till att skydda miljön. Lämna in trasig elektrisk utrustning till en kommunal anläggning avsedd för återvinning av elektrisk och elektronisk utrustning. Släng inte utrustningen bland osorterat avfall. För apparater som innehåller löstagbara batterier ska batterierna tas bort innan produkten kasseras.	
	© 2021 BWT Holding GmbH. 21011004 Alla rättigheter förbehållna. Ingen del av detta dokument får reproduceras eller överföras i någon form eller på något sätt, varken elektroniskt, mekaniskt, via fotokopiering, inspelning eller på annat sätt, utan föregående skriftligt tillstånd från BWT Holding GmbH. (V1)	

Om du behöver en elektronisk kopia av denna användarhandbok, vänligen kontakta vår kundtjänst på e-postadressen.

SPARA DE HÄR INSTRUKTIONERNA

TURVALLISUUSVAROITUKSET JA -OHJEET

Tämän käyttöohjeen sisältämät tiedot auttavat sinua käyttämään laitetta turvallisesti, suojaamaan itseäsi ja muita vaaroilta ja estämään laitteen ja muun omaisuuden vahingoittumisen.

TALLENNA NÄMÄ OHJEET

VAROITUS!

- Tämä laite ei ole LEIKKIKALU. Tämä allasimuri ja sen lisävarusteet on pidettävä poissa lasten ulottuvilta.
- Älä koskaan anna lasten käyttää tätä allasimuria.
- Tätä laitetta ei saa käyttää henkilö, jonka fyysiset tai henkiset kyvyt ovat heikentyneet, tai jolla ei ole sen käytöstä kokemusta tai tietoa, ellei hänen turvallisuudestaan vastuullinen henkilö valvo ja ohjeista laitteen turvallisesta käytöstä niin, että hän ymmärtää laitteen käytön vaarat.
- Lapset eivät saa leikkiä tällä laitteella.
- Lapset eivät saa suorittaa allasimurin puhdistusta ja huoltoa.
- Varmista, että allasimuri on täysin upotettu veteen, ennen kuin aloitat sen käytön. Allasimurin käyttämiseen vaadittavan vähimmäisvedenpinnan on peitettävä koko imuri. Kun allasimuria ei ole upotettu oikein, sen käyttö voi vahingoittaa laitetta ja mitätöidä takuun.
- Suurin käyttösyvyys vedessä on kolme metriä (9,8 jalkaa).
- Veden lämpötila käytettäessä: 5 °C (41 °F)–35 °C (95 °F)
-  Irrotettava virtalähde (ulkoinen laturi).
- Allasimuria saa ladata vain laitteen mukana toimitetulla ulkoisella laturilla ja latauspistokkeella.
- Käytä akun lataamiseen vain irrotettavaa verkkolaitetta (ulkoisen laturin mallinumero: DSS12D-1351000-B / DSS12D-1351000-C / DSS12D-1351000-D/ LX135100U) joka toimitetaan tämän imurin kanssa akun lataamiseksi.
- Liitä ulkoinen laturi virtaverkkoon RCD-suojakytkimen / vikavirtasuojakatkaisimen (GFCI) kautta. Jos olet liitännöistä epävarma, ota yhteys pätevään sähköasentajaan.
- Älä käytä tätä imuria, jos havaitset siinä vaurioita.
- Vaihda vaurioituneet osat jälleenmyyjän tai valmistajan hyväksymiin osiin.
- Sammuta allasimuri, irrota ulkoinen laturi virtalähteestä ja irrota ulkoinen laturi latauspistokkeesta, ennen kuin irrotat imurin latauspistokkeesta.
- Irrota allasimuri verkkovirrasta ja varmista, että se ei ole päällä ennen kuin suoritat säännöllisiä huoltotoimenpiteitä, kuten suodatinpussin puhdistamista.
- Älä yritä vaihtaa sisään asennettua ladattavaa litiumioniakkua.
- Kun allasimuri latautuu, ÄLÄ käsittele sitä, ulkoista sovitinta, tai latauspistoketta märin jaloin ja ilman kenkiä.
- Älä käytä tätä allasimuria, kun henkilöitä ja/tai lemmikkieläimiä on

altaassa.

- ÄLÄ käytä tätä allasimuria ilman ehjää suodatinpussin muuten takuu ei ole voimassa.
- Imeytymisvaara: Tämä allasimuri synnyttää imua. Älä anna hiusten, ruumiinosien tai vaatteidesi löysien kohtien koskettaa allasimurin imuaukkoa sen käytön aikana.
- Älä koskaan työnnä ruumiinosia, vaatteita tai muita esineitä allasimurin aukkoihin tai sen liikkuviin osiin.
- ÄLÄ käytä tätä robottia imemään myrkyllisiä aineita tai syttyviä ja palavia nesteitä (esim. bensiiniä), tai räjähtävien tai syttyvien höyryjen läsnä ollessa.
- Älä missään tapauksessa yritä itse purkaa allasimuria vaihtaaksesi juoksupyörän, moottorin tai akun.
- Älä koskaan työnnä sormia tai mitään esinettä juoksupyörään.
- Ammattitaitoisen teknikon on poistettava sisään asennettu akku ennen sen hävittämistä.
- Tässä allasimurissa on akku, jonka vain ammattitaitoiset henkilöt saavat irrottaa.
- Imuri on irrotettava verkkovirrasta, kun akku poistetaan.
- Katso lisätietoja akun kierrätyksestä/hävittämisestä tämän oppaan kohdasta "AKUN HÄVITTÄMINEN" ja ota yhteyttä paikallisiin viranomaisiin saadaksesi lisätietoja.
- Akku on hävitettävä turvallisesti paikallisten jätteenkäsittelyä ja kierrätystä koskevien lakien ja säännösten mukaisesti.

- Ulkoinen laturi ja latauspistoke:
 - Älä koskaan käytä ulkoista laturia ja latauspistoketta muuhun kuin samassa toimituksessa hankitun allasimurin akun lataamiseen.
 - Ulkoista laturia ja latauspistoketta ei saa käyttää ulkona, eikä niitä saa altistaa sateelle, kosteudelle, nesteille tai kuumuudelle.
 - Muuntaja (ulkoinen laturi) on laitettava vyöhykkeen 1 ulkopuolelle
 - Pidä ulkoinen laturi ja latauspistoke poissa lasten ulottuvilta.
 - Älä koskaan käytä ulkoista laturia ja latauspistoketta, jos havaitset vaurioita.
 - ÄLÄ käsittele ulkoista laturia ja latauspistoketta märin käsin.
 - ÄLÄ käsittele allasimuria, ulkoista laturia ja latauspistoketta latauksen aikana märin käsin ja ilman kenkiä.
 - Pidä ulkoinen laturi irrotettuna virtalähteestä, kun sitä ei käytetä.
 - Älä koskaan yritä avata ulkoista laturia tai latauspistoketta.
 - Jos ulkoisen laturin virtajohto on vaurioitunut, valmistajan tai sen huoltoliikkeen on vaihdettava ulkoinen laturi vahinkojen välttämiseksi.
 - Varmista, että allasimuri ja latauspistoke ovat täysin kuivat ennen lataamista.

HUOM!

- Tämä allasimuri on tarkoitettu vain vedenalaiseen käyttöön; se ei ole yleisimuri. ÄLÄ yritä käyttää sitä minkään muun kuin uima-altaan/porealtaan puhdistamiseen.
- Käytä vain tämän laitteen mukana toimitettuja alkuperäisiä lisävarusteita.
- ÄLÄ käytä tätä allasimuria heti uima-altaan shokkikloorauksen jälkeen. On suositeltavaa jättää uima-altaan vesi kiertämään vähintään 24–48 tunniksi.
- Jos aiot käyttää allasimuria suolaisen veden altaassa varmista, että kaikki suola on liennut ennen sen käyttöönottoa.
- ÄLÄ käytä tätä allasimuria toisen automaattisen imurin/imurin kanssa samanaikaisesti altaassa/porealtaassa.
- Vältä keräämästä kovia tai teräviä esineitä tällä laitteella. Ne voivat vahingoittaa allasimuria ja suodatinta.
- Vältäaksesi ulkoisen laturin ja latauspistokkeen vaurioitumisen, älä yritä kantaa allasimuria ulkoisen laturin/latauspistokkeen kaapelista tai vetää johdosta irrottaaksesi sen virtalähteestä ja latauspistokkeesta.
- Lataa allasimuri sisätiloissa hyvin tuuletetussa puhtaassa ja kuivassa paikassa, ja suojassa auringonvalolta.
- ÄLÄ jätä allasimuria lataukseen yli 10 tunniksi.
- Jos allasimuria ei käytetä pitkään aikaan, irrota se latauspistokkeesta, sekä puhdista ja kuivaa imuri ja sen varusteet kostealla liinalla. Muista ladata allasimuri noin 30-50 prosenttiin akun kapasiteetista ennen sen varastointia. Säilytä hyvin tuuletetussa paikassa suojassa auringonvalolta, lämmönlähteiltä, sytytyslähteiltä, sekä uima-allaskemikaaleilta ja lasten ulottumattomissa. Älä koskaan jätä allasimuria kytkettynä verkkovirtaan, kun se on varastoitu pitemmäksi aikaa. Lataa allasimuri vähintään kolmen kuukauden välein.
- Vain valtuutettu teknikko saa suorittaa pääyksikön purkamiseen liittyvät toimenpiteet (esimerkiksi akun hävittämisen).

Yllä olevia varoituksia ei ole tarkoitettu sisältämään kaikkia mahdollisia riskejä ja/tai vakavien vammojen aiheuttajia Altaiden omistajien tulee aina olla erityisen varovaisia ja käyttää tervettä järkeä laitetta käyttäessään.

Huomautus: Tämän käyttöohjeen tuote-/osavalkuvat/piirroksot ovat vain esittelyä varten. Valokuvissa/piirroksissa olevat tuotteet/osat voivat vaihdella ostetun mallin mukaan. Tässä käyttöohjeessa ja osakaaviossa esitetyt lisävarusteet/osat eivät välttämättä sisälly kaikkiin malleihin.

KÄYTÖN ALOITTAMINEN

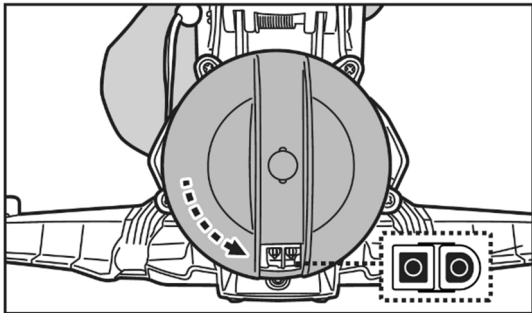
Akun lataaminen

TÄRKEÄÄ: lataa allasimuri täyteen (noin 6 tuntia) ennen sen ensimmäistä käyttöä.

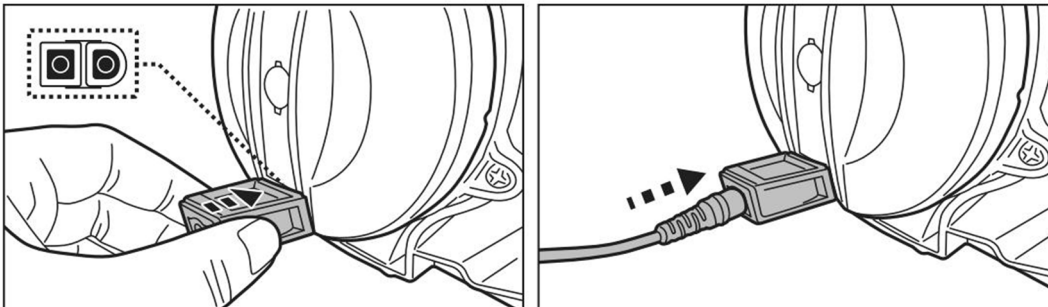
VAROITUS!

- Käytä vain laitteen mukana toimitettua ulkoista laturia ja latauspistoketta.

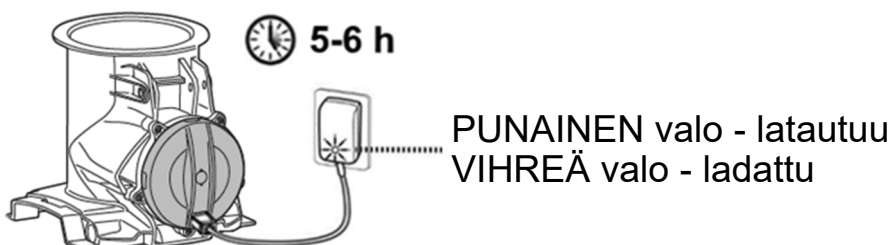
- Varmista, että allasimuri ja latausliitin ovat puhtaita ja kuivia ennen asennusta ja lataamista. (VINKKI: kuivaa latausliitin ja latausnastat vanupuikolla)
 - Latausliittimen nastat ovat vedenpitäviä. Kuitenkin vesijäänteet liittimessä ja sen nastojen ympärillä voivat aiheuttaa luonnollisesti esiintyviä tahroja (veden ja sähkövirtojen välisen kemiallisen reaktion sivutuote). Siinä tapauksessa tahrat voidaan poistaa hieromalla kevyesti vanupuikolla, joka on kasteltu sitruunamehulla tai etikalla.
1. Aseta laite tasaiselle alustalle. Aseta allasimuri virrankatkaisu/lataustilaan kääntämällä kytkintä vastapäivään, kunnes se napsahtaa ja latausliitin tulee esiin.



2. Kohdista ja työnnä latauspistoke latausliittimeen. **VAROITUS!** Älä laita latauspistoketta väärinpäin ja varmista, että sekä latauspistoke että latausliitin ovat puhtaat ja kuivat ennen lataamista. VINKKI: kuivaa latausliitin ja sen nastat vanupuikolla. Liitä ulkoisen laturin johto latauspistokkeeseen.



3. Liitä ulkoinen laturi virtalähteeseen. Ulkoisen laturin merkkivalo muuttuu punaiseksi kun imuri latautuu ja vihreäksi, kun se on ladattu täyteen. Lataa sitä 5-6 tuntia parhaan suorituskyvyn takaamiseksi.



- Irrota ulkoinen laturi välittömästi virtalähteestä, jos havaitset jotain seuraavista:
 - Pahaa tai epätavallista hajua
 - Liiallista kuumuutta
 - Epämuodostumia, halkeamia, vuotoja
 - Savua
- 4. Kun lataus on valmis, irrota ulkoinen laturi virtalähteestä ja latauskaapeli latauspistokkeesta. Irrota latauspistoke pääyksiköstä. **VAROITUS!** Älä koskaan jätä latauspistoketta paikalleen, kun allasimuri on vedessä.

Allasimuri on suunniteltu toimimaan normaalisti jopa 75 minuuttia täydellä latauksella.

HUOMAA: Tyhjennä suodatinpussi säännöllisesti. Liiallinen roska lisää moottorin kuormitusta ja voi lyhentää laitteen käyttöaika.

FAKTA: Ladattava litiumioniakku on luokiteltu kulutustarvikkeeksi. Sen käyttöikä on rajallinen ja se menettää vähitellen latauskykynsä. Allasimurin akun tyhjennysaika lyhenee vähitellen toistuvien lataamisten ja purkamisten takia.

Kun akun käyttöikä on lopussa, katso ohjeet sen hävittämisestä kohdasta "AKUN HÄVITTÄMINEN".

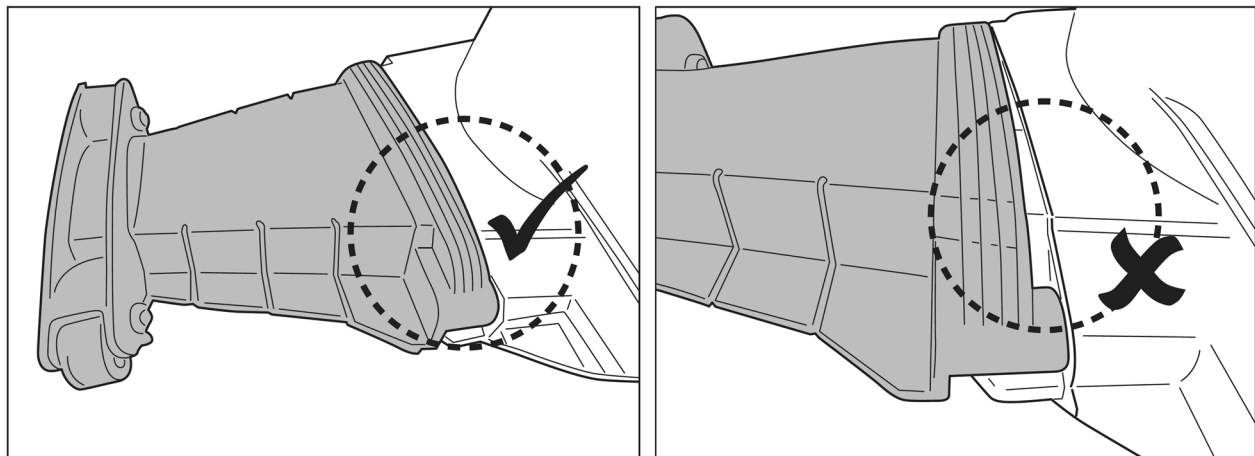
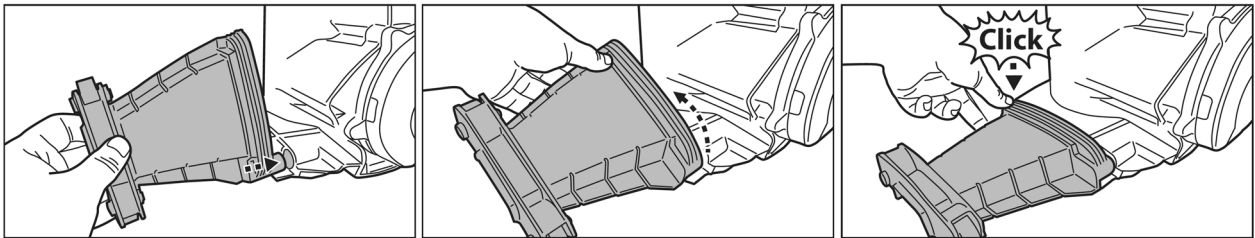
HUOMAA: Anna allasimurin levätä 30-40 minuuttia ennen kuin lataat sen uudelleen.

Asetukset ennen käyttöä

Tässä allasimurissa on irrotettavia jatkeita, jotka voidaan poistaa kapeiden alueiden puhdistamiseksi.

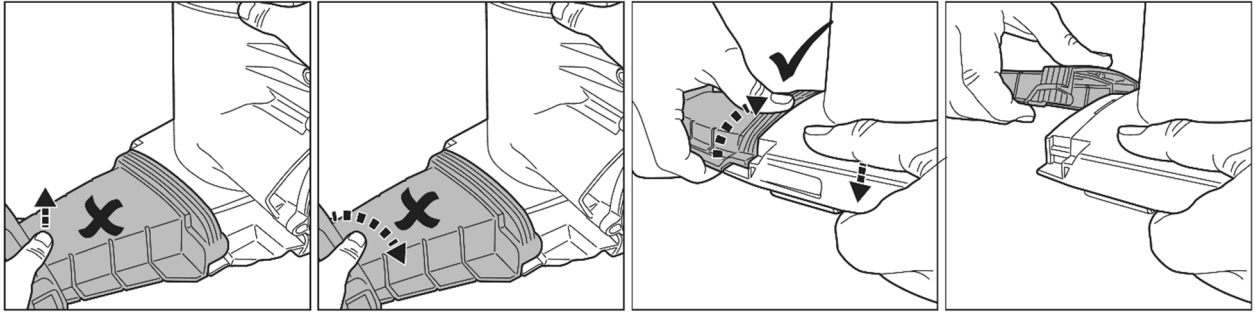
Sivujatkeen asennus

Aseta siiven varsi päärungon sivussa olevaan reikään. Käännä siipeä ja paina se tukevasti kiinni runkoon. Kuulet napsahduksen.



Sivujatkeen irrottaminen

Irrota jatkeet pöörungosta päinvastaisessa järjestyksessä.

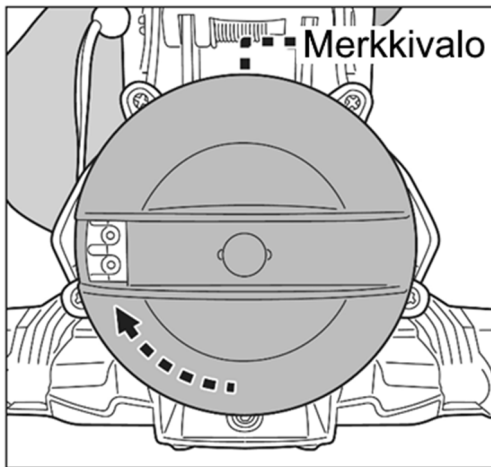


Altaan valmistelu

- Jos vuoraus on hauras, vaurioitunut tai vääntynyt, ota yhteyttä pätevään ammattilaiseen tarvittavien korjausten suorittamiseksi tai vuorauksen vaihtamiseksi ennen allasimurin käyttöä.
- Jos käytät allasimuria suolaisen veden altaassa varmista, että kaikki suola on liuennut ennen imurin asettamista veteen.

TOIMINTA

- 1) Tuo allasimuri altaan sivulle. Käännä kytkintä myötäpäivään, kunnes se naksahtaa ja paljastaa vesianturit. Yläosassa oleva valo muuttuu siniseksi. Upota allasimuri veteen, valo muuttuu välittömästi vihreäksi ja juoksupyörä alkaa pyöriä 4-5 sekunnin kuluttua.

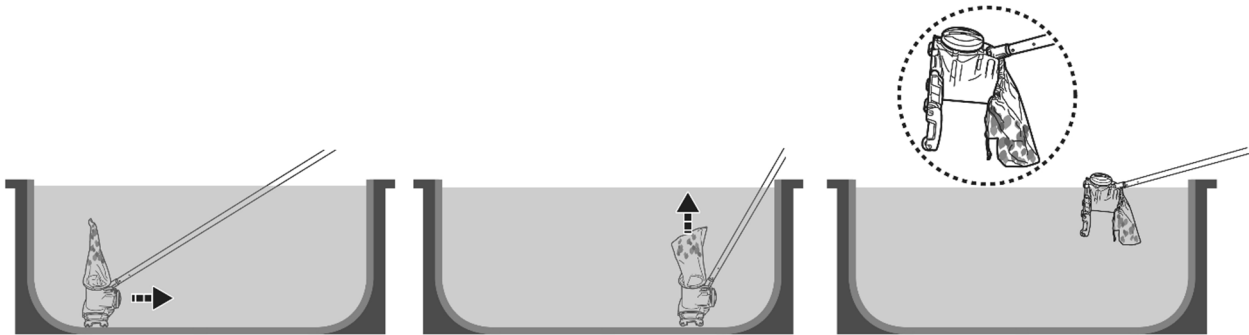


Merkkivalon väri	
Sininen	Virta päällä (käyttövalmis)
Sininen - välkky	Akun varaus on vähissä
Vihreä	Toiminnassa
Vihreä - välkky	Akun varaus on vähissä.
Vihreä valo ei pala	Akku on tyhjä (se on ladattava)
Punainen	Juoksupyörä pysähtyy (juoksupyörä on tukossa).

Imuroit roskat tehokkaasti, kun allasimuri on asetettu tasaisesti altaan pohjaan ja ohjaat sitä edestakaisin säännöllisin liikkein roskien keräämiseksi. Roskat kerätään edestä, sivuilta ja takaa suodatinpussiin.

Altaan liiallinen lika ja roskat voivat tukkia juoksupyörän, jolloin se pysähtyy automaattisesti moottorin suojaamiseksi ja merkkivalo muuttuu punaiseksi. Poista imuri altaasta ja sammuta se ennen kuin poistat tukoksen ja tyhjennät suodatinpussin, jos se on täynnä. Jatkaaksesi toimintaa käännä kytkintä vastapäivään, kunnes Virta pois on valittuna, ja valitse sitten Käynnistä kääntämällä sitä myötäpäivään.

- 2) Poista imuri altaasta viemällä sen altaan reunalle ja kääntämällä se osoittamaan alaspäin ennen sen nostamista altaasta. Näin roskat eivät putoa takaisin altaaseen (varsinkin jos käytät hienoa suodatinpussia) ja välttyt tangon taipumiselta.



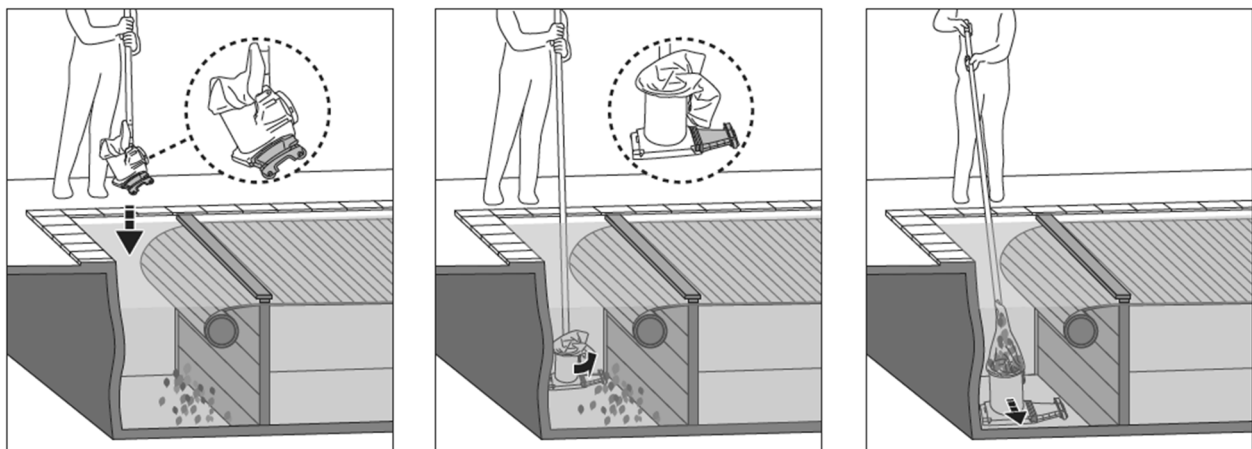
Kun allasimuri on nostettu vedestä, juoksupyörä lakkaa pyörimästä 2-3 sekunnissa. LED-merkkivalo muuttuu siniseksi. Kun akun varaus on vähissä, sininen merkkivalo vilkkuu.

- 3) Huuhtele allasimuri puhtaalla vedellä jokaisen käytön jälkeen. ÄLÄ käytä voimakkaita pesuaineita.
- 4) Kuivaa latausliitin ja sen nastat huolellisesti (VINKKI: kuivaa ne vanupuikolla).

Lamellipeiteosaston imurointi

VAROITUS! Kiinnitä huomiota kaikkiin puhdistustoimenpiteisiin liittyviin turvallisuusvaroituksiin, jotka näet automaattisen lamellipeitteen käyttöohjeista.

- Imurin upottamiseen tarvittava altaan vähimmäissyvyys on 30 cm (12 tuumaa)



- Avaa säleikkö lamellipeitteen käyttöohjeiden mukaisesti.
- Irrota yksi imurin jatke ennen kuin upotat sen altaaseen.
- Kiinnitä teleskooppitanko (ei sisälly toimitukseen) allasimurin kahvaan käsikirjan ohjeiden mukaisesti.
- Käynnistä allasimuri ja kohdista se yllä olevan kuvan mukaisesti ennen sen upottamista.
- Kun allasimuri on vajonnut altaan pohjan, käännä se altaan pituuden suuntaan edellä kuvatulla tavalla ja aloita imurointi.

SUODATINPUSSIN/KASETTISUODATTIMEN ASENNUS

Huomautus: kasettisuodatinpussi ei välttämättä sisälly jokaiseen malliin

HUOM! Varmista, että allasimuri on kytketty pois päältä ennen suodatinpussin/kasettisuodattimen puhdistamista.

Suodatinpussin ja suodatinkasetin säännöllinen puhdistus auttaa ylläpitämään hyvää imua ja tiivistä kosketusta imurin ja altaan pohjan välillä käytön aikana.

Aseta puhdistuslaite tasaiselle alustalle. Irrota pussi päärungosta painamalla langan kiinnikettä.

On suositeltavaa pestä suodatinpussi vesisuihkulla jokaisen uima-altaan puhdistuksen jälkeen. Suihkuta vinosti päästäksesi eroon roskista kasettisuodattimen laskosten välillä. Älä koskaan käytä painepesuria, koska se vahingoittaa kasettia. Poista tukkeutuneeseen suodattimen juuttunut lika pesemällä suodatinpussi pesukoneessa 30 °C (86 °F) lämpötilassa. Liota kasettisuodatinta vedessä pesuaineella 2-3 tuntia ja huuhtelee se sitten vesisuihkulla. Jos harjaus katsotaan tarpeelliseksi, puhdista se vain pehmeällä harjalla huolellisesti ja varovasti vaurioiden välttämiseksi.

HUOLTO JA VARASTOINTI

HUOMAA:

1. Muista puhdistaa ja kuivata latausliittimen ja vesianturien alue jokaisen käytön jälkeen, jotta vältyt tahrojen muodostumiselta (sähkövirran ja veden välisen luonnollisen kemiallisen reaktion sivutuote). Siinä tapauksessa tahrat voidaan poistaa hieromalla kevyesti vanupuikolla, joka on kasteltu sitruunamehulla tai etikalla.
2. Akku purkautuu itsestään varastoinnin aikana. Muista ladata allasimuri noin 30-50 prosenttiin akun kapasiteetista ennen sen varastointia.
3. Akku on ladattava uudelleen vähintään joka kolmas kuukausi, kun sitä ei käytetä.
 - Irrota ulkoinen laturi pistorasiasta ja laturin pistoke latauspistokkeesta.
 - Irrota varusteet allasimurista. Huuhtelee allasimuri ja sen varusteet tarvittaessa puhtaalla vedellä. ÄLÄ käytä voimakkaita pesuaineita.
 - Muista kuivata allasimuri ennen sen varastointia.
 - Puhdista ja kuivaa allasimuri ja sen lisävarusteet kostealla liinalla.
 - Säilytä niitä hyvin ilmastoidussa paikassa suojassa auringonvalolta, lämmönlähteiltä, sytytyslähteiltä, sekä uima-allaskemikaaleilta ja lasten ulottumattomissa. Säilytyksen ympäristölämpötilan tulee olla 10 °C - 25 °C (50 °F - 77 °F). HUOMAA: Korkeampi lämpötila voi lyhentää akun käyttöikää varastoinnin aikana.

VAROITUS!

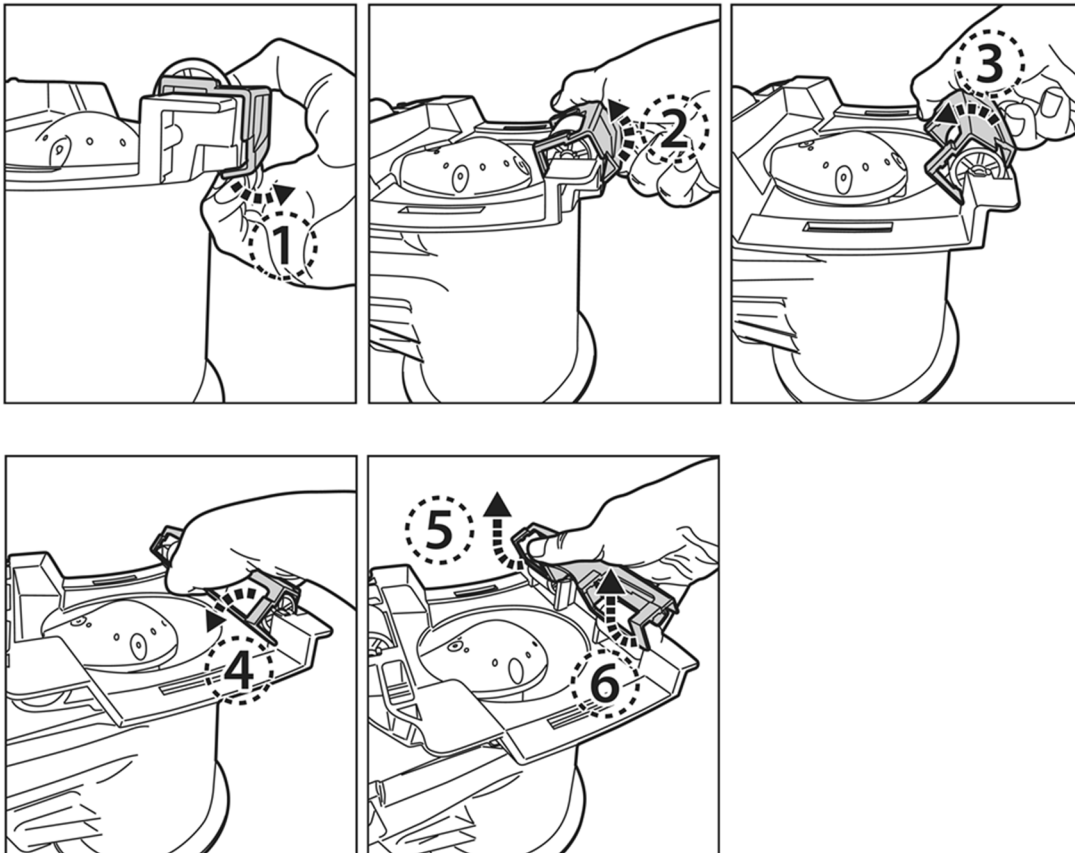
Älä missään tapauksessa yritä purkaa allasimuria ja vaihtaa juoksupyörää, moottoria, tai akkua itse.

VAROITUS!

- Liiallinen kuumuus voi vahingoittaa akkua ja lyhentää imurin käyttöikää.
- Ota yhteys jälleenmyyjään akun vaihtamisesta, jos:
 - Akku ei lataudu täyteen.
 - Akun käyttöaika lyhenee huomattavasti. Tarkkaile ja kirjaa ensimmäisten toimintojen käyttöajat (täydellä latauksella). Käytä näitä käyttöaikoja vertailukohtana tuleville käyttöajoille.
- Akku on poistettava robotista ennen sen hävittämistä.
- Akku on hävitettävä turvallisesti paikallisten jätteenkäsittelyä ja kierrätystä koskevien lakien ja säännösten mukaisesti.
-

HUOMAA: virheellinen huolto voi lyhentää akun käyttöikää ja vaikuttaa sen kapasiteettiin.

Etupyörien vaihto



Ennen kuin irrotat vaurioituneet etupyörät, sinun on ensin irrotettava niiden pidike.

1. Nosta pidikkeen reunaan ylös.

2/3/4. Käännä pidike kokonaan alas.

5. Nosta se ylös yhdestä reunasta.

6. Nosta toinen reuna ja saat sen irti vaurioituneen pyörän vaihtamiseksi.

AKUN HÄVITTÄMINEN (sen saa suorittaa vain valtuutettu teknikko)

Robotti on varustettu huoltovapaalla ladattavalla litiumioniakulla, joka on hävitettävä asianmukaisesti. Kierrätys on pakollista, ota yhteyttä paikalliseen viranomaiseen saadaksesi lisätietoja.

VAROITUS! Älä koskaan yritä irrottaa akkua

- Ota pois kaikki henkilökohtaiset esineet, kuten sormukset, rannekorut, kaulakorut ja kellot, kun akku on irrotettu robotista.
- Akku voi tuottaa riittävän suuren oikosulkuvirran sormuksen (tai vastaavan esineen) hitsaamiseksi metalliin, aiheuttaen vakavan palovamman.
- Käytä asianmukaista silmiensuojainta, käsineitä ja suojavaatetusta, kun akkua poistetaan.
- Vältä koskemasta johtoihin ja vältä kosketusta niiden ja metalliesineiden välillä, se voi aiheuttaa kipinöintiä ja/tai oikosulun akussa.
- Älä koskaan tupakoi tai salli kipinöintiä tai liekkejä akun tai robotin läheisyydessä.
- Älä altista akkua tulelle tai voimakkaalle kuumuudelle, koska se voi aiheuttaa räjähdyksen.

VAROITUS!

- Jos akku vuotaa, vältä kosketusta vuotaviin nesteisiin ja aseta vaurioitunut akku muovipussiin.
- Jos vuotavat nesteet joutuvat iholle ja vaatteille, pese ne välittömästi runsaalla saippualla ja vedellä.
- Jos vuotavia nesteitä joutuu silmiin, älä hiero silmiä, huuhtelee silmät välittömästi viileällä juoksevalla vedellä vähintään 15 minuutin ajan äläkä hiero niitä. Hakeudu lääkäriin mahdollisimman pian

Akun irrottaminen vain sen hävittämistä varten (valtuutetun teknikon suoritettava)

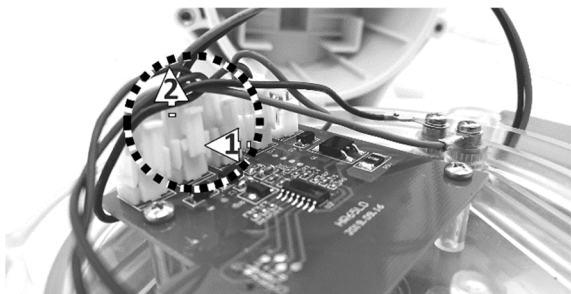
Suosittelut työkalut (ei sisälly toimitukseen): Ristipääruuvimeisseli

VAROITUS! Allasimuri on irrotettava verkkovirrasta ennen akun poistamista.

1. Aseta allasimuri tasaiselle pinnalle. Avaa ruuvimeisselillä takakannen ruuvit. Poista akku kammioista.



2. Irrota akun liitännäjohto painamalla liittimen klipsiä ja vedä se ulos.
HUOMAA: Teippaa liitin välittömästi eristysteipillä, jotta vältetään molempien johtoliittimien koskettamisesta aiheutuvalta oikosululta.



VIANMÄÄRITYS

Ongelma	Mahdollinen syy	Ratkaisu
Imuri ei käynnisty veden alla (5-10 sekunnin kuluessa)	Likaantuneet vesianturit	Tahrat voidaan poistaa käyttämällä sitruunamehulla tai etikalla kastettua vanupuikkoa vesiantureiden ympärillä olevien alueiden puhdistamiseen.
	Akku on tyhjä	Lataa allasimuri.
Ei kerää roskia/roskat vuotavat altaaseen	Alhainen akun varaustaso	Lataa allasimuri.
	Jumiutunut juoksupyörä	Nosta allasimuri vedestä ja sulje se kääntämällä nuppia vastapäivään. Tarkista, onko juoksupyörä jumiutunut suurista roskista. Poista roskat. Pyydä tarvittaessa lisätietoja jälleenmyyjältäsi. VAROITUS! Varmista, että allasimuri on pois päältä ennen sen huoltoa.
	Rikkoutunut juoksupyörä	Ota yhteys jälleenmyyjään vaihtoa varten.
	Suodatinpussi on täynnä/tukossa	Puhdista suodatinpussi.
Pyörä irti rungosta.	Tarkista, onko pyörä/pyörän kiinnike rikki	Vaihda uusi pyörä/pyörän kiinnike.
Latausaika on pidempi kuin ilmoitettu	Likaantuneet latausnastat	Tahrat voidaan poistaa käyttämällä sitruunamehuun tai etikkaan kastettua vanupuikkoa latausnastojen alueen puhdistamiseksi.
Imuria ei voi ladata	Vaurioitunut akku	Ota yhteys jälleenmyyjään akun vaihtamiseksi. VAROITUS! ÄLÄ vaihda akkua itse. Tämä voi johtaa vakaviin tai kuolemaan johtaviin vammoihin ja takuu raukeaa.
	Latauspistoketta ei ole kytketty oikein ulkoiseen sovittimeen ja allasimuriin	Katso käyttöohje ja liitä latauslaitteet oikein.
	Ulkoinen laturi on epäkunnossa	Ota yhteys jälleenmyyjään vaihtoa varten. VAROITUS! Väärän ulkoisen laturin käyttäminen vahingoittaa allasimuria/akkua ja mitätöi takuun.
Ympäristöohjelmat, eurooppalainen sähkö- ja elektroniikkaromudirektiivi WEEE		
	Noudata Euroopan unionin määräyksiä ja auta suojelemaan ympäristöä. Palauta toimimattomat sähkölaitteet kunnan nimeämään laitokseen, jossa sähkö- ja elektroniikkalaitteet kierrättää asianmukaisesti. Älä hävitä niitä lajittelemattoman sekajätteen mukana. Jos laitteessa on irrotettavia paristoja/akkuja, poista ne ennen laitteen hävittämistä.	
	© 2021 BWT Holding GmbH. 21011004 Kaikki oikeudet pidätetään. Mitään tämän asiakirjan osaa ei saa kopioida tai lähettää missään muodossa tai millään tavalla, sähköisesti, mekaanisesti, valokopioimalla, tallentamalla tai muuten ilman BWT Holding GmbH.:n kirjallista lupaa. (V1)	

Jos tarvitset tämän käyttöohjeen painettua kopiota, ota yhteyttä asiakaspalveluumme sähköpostitse.

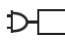
TALLENNA NÄMÄ OHJEET

SIKKERHETSADVARSLER OG INSTRUKSJONER

Informasjonen i denne bruksanvisningen vil hjelpe deg å bruke enheten på en trygg måte, beskytte deg selv og andre fra fare og forhindre skade på enheten og annen eiendom.

TA VARE PÅ DISSE INSTRUKSJONENE

ADVARSEL!

- Dette er ikke en LEKE. Bassengstøvsugeren og tilbehøret skal oppbevares utilgjengelig for barn.
- Aldri la barn bruke denne bassengstøvsugeren.
- Enheten skal ikke brukes av personer som har reduserte fysiske, sensoriske eller mentale evner, eller manglende erfaring og kunnskap, med mindre de er under oppsyn eller har fått opplæring i sikker bruk av enheten av en person som er ansvarlig for deres sikkerhet og forstår farene involvert.
- Ikke la barn leke med dette produktet.
- Barn skal ikke rengjøre og vedlikeholde bassengstøvsugeren.
- Sørg for at bassengstøvsugeren er helt nedsenket i vann før bruk. Vannstanden må minst dekke hele bassengstøvsugeren for å brukes. Hvis man bruker bassengstøvsugeren når den ikke er korrekt nedsenket i vann, kan det skade enheten og dermed oppheve garantien.
- Maksimal dybde ved bruk i vann er 3 meter (9,8 fot).
- Maksimal vanntemperatur: 5 °C (41 °F)– 35 °C (95 °F)
-  Avtagbar forsyningsenhet (ekstern adapter).
- Bassengstøvsugeren skal kun lades med den eksterne adapteren og ladepluggen som leveres med dette produktet.
- Bruk kun avtagbar forsyningsenhet til å lade batteriet (ekstern adapter modellnummer: DSS12D-1351000-B / DSS12D-1351000-C / DSS12D-1351000-D/ LX135100U) som kommer med bassengstøvsugeren for å lade batteriet.
- Koble den eksterne adapteren til et strømuttak via en jordfeilbryter (RDC/(GFCI). Ta kontakt med en elektriker hvis du er i tvil.
- Ikke bruk bassengstøvsugeren hvis skade oppdages.
- Skift ut skadede deler med deler som er sertifisert av en distributør eller produsent.
- Slå av strømmen, koble den eksterne adapteren fra strømkilden og trekk den eksterne adapteren ut av ladepluggen før du kobler bassengstøvsugeren fra ladepluggen.
- Koble bassengstøvsugeren fra strømmettet og sørg for at bassengstøvsugeren er slått AV før service utføres, slik som å rengjøre filterposen.
- Ikke prøv å bytte ut den oppladbare installerte litium-ionbatteripakken.
- IKKE ta på bassengstøvsugeren, den eksterne adapteren og ladepluggen med våte kroppsdeler eller uten sko mens den lader.
- Du må ikke bruke bassengstøvsugeren når personer/kjæledyr er i vannet.
- IKKE bruk denne bassengstøvsugeren uten en intakt filterposen på plass, ellers oppheves garantien som en følge av dette.

- Fare for at ting setter seg fast i suget: Bassengstøvsugeren genererer sug. Ikke la hår, kroppsdeler eller løse deler av klærne dine få kontakt med bassengstøvsugerens sugehull ved bruk.
- Ikke putt kroppsdeler, klær eller andre objekter inn i åpningene og de bevegelige delene av den elektriske støvsugeren.
- IKKE bruk bassengstøvsugeren til å plukke opp giftige stoffer, brannfarlige og brennbare væsker (dvs. bensin) i nærheten av eksplosiv eller brannfarlig røyk.
- Du må aldri under noen omstendigheter prøve å demontere bassengstøvsugeren, og bytte ut løpehjulet, motoren og batteriet selv.
- Putt aldri fingre eller andre objekter i kontakt med løpehjulet.
- Det innebygde batteriet må fjernes av en kompetent tekniker før det kasseres.
- Bassengstøvsugeren har et batteri som bare skal fjernes av opplærte personer.
- Bassengstøvsugeren må være koblet fra strømmettet når batteriet fjernes.
- For mer informasjon om resirkulering/avhending av batteriet, se delen «BATTERIAVHENDING» av bruksanvisningen, og ta kontakt med lokale myndigheter for mer informasjon.
- Batteriet må avhendes på en trygg måte i henhold til lokale regler og forskrifter.

- Ekstern adapter og ladeplugg:
 - Aldri bruk den eksterne adapteren og ladepluggen til noe annet enn opplading av batteriet på bassengstøvsugeren, som fulgte med i den samme pakken.
 - Den eksterne adapteren og ladepluggen må ikke brukes utendørs, og skal ikke utsettes for regn, fukt, andre væsker eller varme.
 - Transformatoren (eller den eksterne adapteren) skal være utenfor sone 1
 - Oppbevar den eksterne adapteren og ladepluggen utilgjengelig for barn.
 - Bruk aldri den eksterne adapteren og ladepluggen hvis skade oppdages.
 - IKKE ta på den eksterne adapteren og ladepluggen med våte hender.
 - IKKE ta på bassengstøvsugeren, den eksterne adapteren og ladepluggen med våte hender eller uten sko mens den lader.
 - Den eksterne adapteren skal være koblet fra strøm når den ikke er i bruk.
 - Prøv aldri å åpne den eksterne adapteren og ladepluggen.
 - Dersom strømledningen til den eksterne adapteren er skadet, må den eksterne adapteren byttes ut av produsenten eller serviceagenten for å forhindre farerisiko.
 - Sørg for at bassengstøvsugeren og ladepluggen er helt tørre før lading.

FORSIKTIG!

- Bassengstøvsugeren er kun laget for å brukes under vann; det er ikke en rengjøringsenhet for alle slags formål. IKKE bruk den til å rengjøre noe annet enn basseng/spa.
- Bruk kun originalt tilbehør som leveres med dette produktet.
- IKKE bruk bassengstøvsugeren rett etter du har tilsatt klor i bassengvannet. Det anbefales at bassenget får sirkulere i minst 24–48 timer.
- Hvis du skal bruke bassengstøvsugeren i et basseng med saltvann, må du sørge for at alt saltet er løst opp før du bruker bassengstøvsugeren.
- IKKE bruk bassengstøvsugeren med en annen automatisk rengjøringsenhet / rengjøringsenhet samtidig i bassenget/spaet.
- Unngå å plukke opp harde og skarpe objekter med produktet. De kan skade bassengstøvsugeren og filteret.
- For å unngå skade på den eksterne adapteren og ladepluggen, må du ikke bære roboten etter ledningen til den eksterne adapteren / ladepluggen, eller dra i ledningen for å koble fra strømkilden og ladepluggen.
- Lad bassengstøvsugeren innendørs i et rent og tørt område med god ventilasjon, og vekk fra sollys.
- IKKE la bassengstøvsugeren lade i mer enn 10 timer.
- Hvis bassengstøvsugeren ikke skal brukes over en lengre periode, koble den fra ladepluggen og bruk en fuktig klut til å rengjøre og tørke bassengstøvsugeren og tilbehøret. Sørg for at bassengstøvsugeren er ladet opp til mellom 30 % og 50 % av batterikapasiteten før den lagres. Lagres i et område med god ventilasjon og uten direkte sollys, varme, antenneskilder, bassengkjemikalier og barn. La aldri bassengstøvsugeren være tilkoblet når den oppbevares over tid. Lad opp bassengstøvsugeren hver tredje måned.
- Alle handlinger for å demontere hovedenheten (dvs. batteridisponering) skal kun gjøres av en tekniker.

Advarslene og forholdsreglene ovenfor har ikke som hensikt å inkludere alle mulige tilfeller av risiko og/eller alvorlige skader Basseng/spaere må alltid være ekstra forsiktige og bruke sunn fornuft når de bruker produktet.

Merknad: Produkt/delbilder/illustrasjoner i denne bruksanvisningen er kun til demonstrasjon. Produkter/deler på bilder/illustrasjoner kan variere fra den kjøpte modellen. Tilbehør/deler som vises i denne bruksanvisningen og deldiagrammet er ikke nødvendigvis inkludert i alle modellene.

KOM I GANG

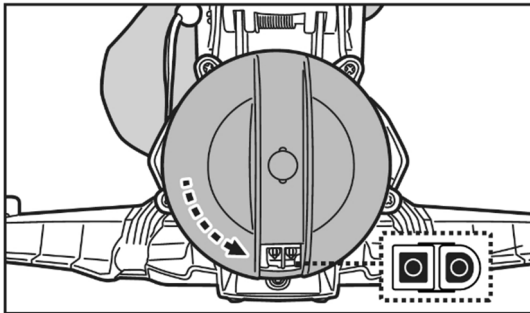
Opplading av batteriet

VIKTIG MERKNAD: Lad bassengstøvsugeren helt opp (rundt 6 timer) før du bruker den for første gang.

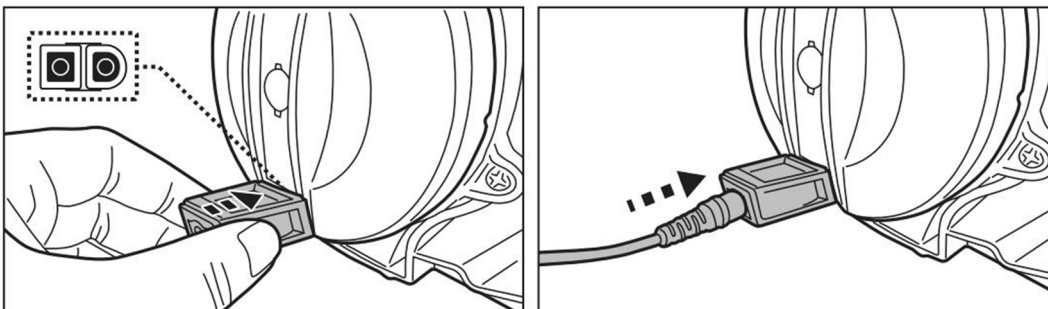
ADVARSEL!

- Bruk bare den originale eksterne adapteren og ladepluggen som følger med.
- Sørg for at bassengstøvsugeren og ladeporten er rene og tørre før oppsett og lading. (TIPS: Bruk en bomullsdott til å tørke ladeporten og -kontaktene)
- Ladekontaktene er vanntette. Rester av vann i porten og rundt kontaktene kan imidlertid føre til naturlige flekker (et biprodukt av kjemisk reaksjon mellom vann og elektrisk strøm). Flekkene kan ellers fjernes ved å skrubbe lett med en bomullsdott med sitronsaft eller eddik.

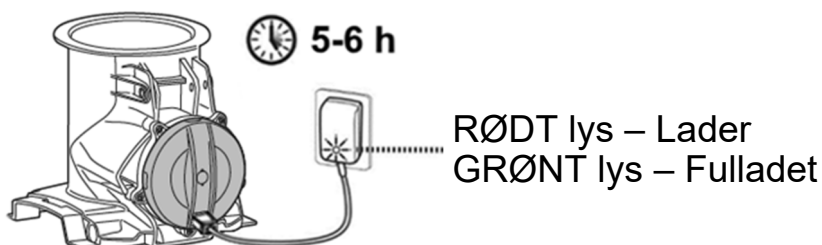
1. Plasser enheten på et flatt underlag. Sett bassengstøvsugeren til Strøm av / Lademodus ved å vri bryteren mot klokken til du hører et klikk, og avdekker ladeporten.



2. Juster og koble ladepluggen til ladeporten. **ADVARSEL!** Du må ikke snu ladepluggen, og du må sørge for at både ladepluggen og ladeporten er rene og tørre før du lader dem. TIPS: Bruk en bomullsdott til å tørke ladeporten og pinnene. Sett ladekabelen til den eksterne adapteren inn i ladepluggen.



3. Koble den eksterne adapteren til strømkilden. Indikatorlyset på den eksterne adapteren blir rødt når støvsugeren lader, og grønt når den er fulladet. Lades i 5–6 timer for best mulig ytelse.



- Koble den eksterne adapteren fra strømkilden øyeblikkelig hvis du oppdager noe av følgende:
 - Ubehagelig eller uvanlig lukt
 - Sterk varme
 - Deformering, sprekker, lekkasjer
 - Røyk

4. Når den er fulladet, kobles den eksterne adapteren fra strømkilden og ladekabelen kobles fra ladepluggen. Løsne ladepluggen fra hovedenheten. **ADVARSEL!** La aldri ladepluggen stå i når bassengstøvsugeren er i vannet.

Bassengstøvsugeren er laget for å brukes i opptil 75 minutter når den er fulladet.

Merknad: Tøm filterposen jevnlig. For mye avfall øker belastningen på motoren, og reduserer driftstiden.

FAKTA: Oppladbart litium-ion-batteri er klassifisert som en forbruksvare. Det har begrenset levetid, og vil gradvis miste kapasiteten til å holde på lading. Derfor reduseres bassengstøvsugerens brukstid gravis etter gjentatte ladinger og utladinger.

Når batteriets levetid er over, se delen «BATTERIAVHENDING» for instruksjoner for batteriavhending.

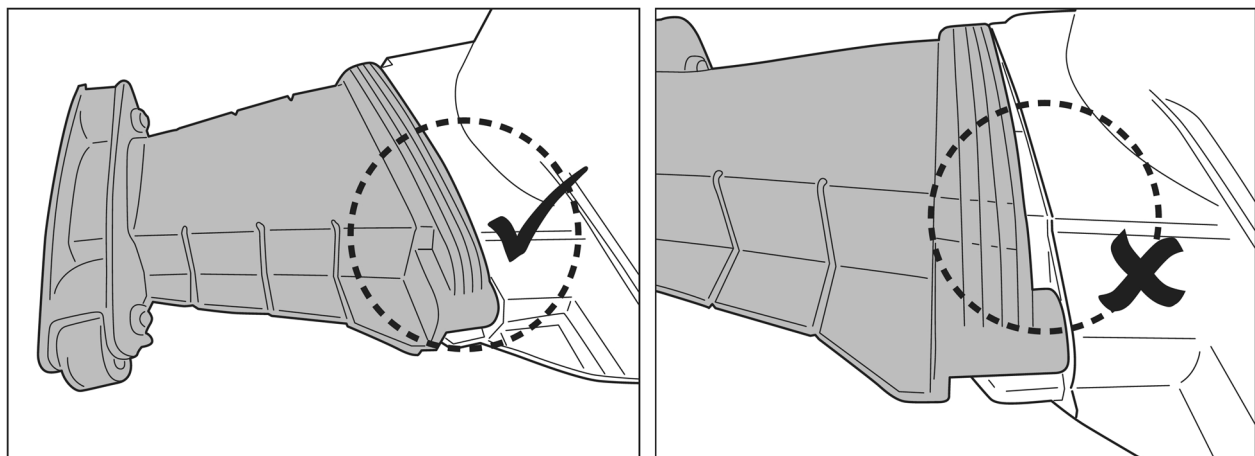
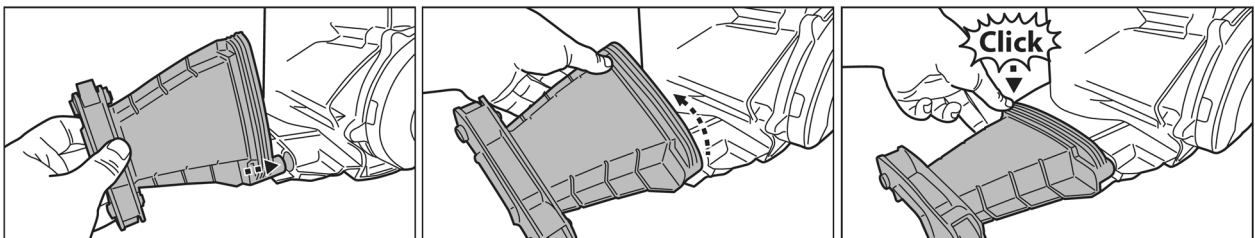
MERKNAD: La bassengstøvsugeren hvile i 30 til 40 minutter før den lades igjen.

Oppsett før bruk

Bassengstøvsugeren har avtagbare forlengelser som kan fjernes for å rengjøre smale områder.

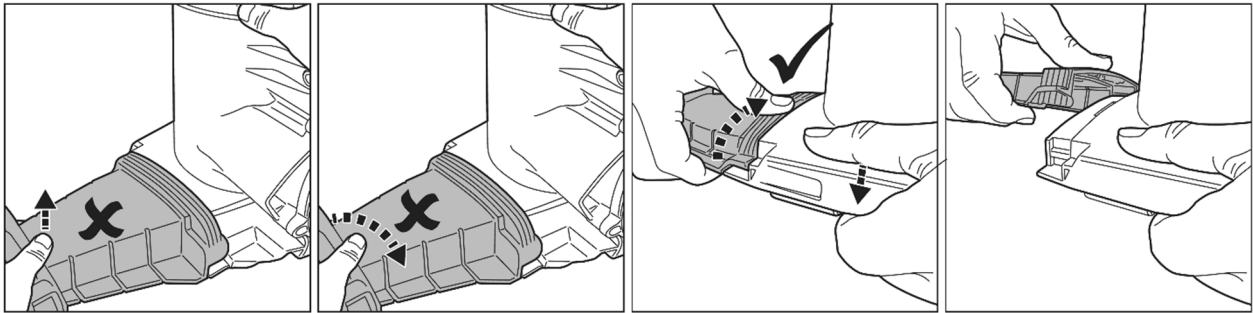
Montering av sideforlengelse

Sett inn stammen av vingen i hullet på siden av hoveddelen. Snu vingen, og press på den for å sikre den til hoveddelen. Du hører en «klikk»-lyd.



Demontering av sideforlengelse

Utfør trinnene i motsatt rekkefølge for å demontere forlengelsen fra hoveddelen.

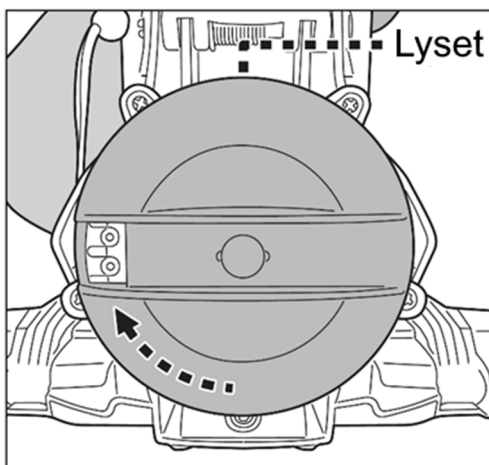


Klargjøring av bassenget

- Hvis belegget er sprøtt, skadet eller rynkete, må du kontakte en fagperson for å reparere det eller bytte det ut før du bruker bassengstøvsugeren.
- Hvis du bruker et basseng med saltvann, må du sørge for at alt saltet er løst opp før du setter bassengstøvsugeren i vannet.

BRUK

- 1) Ta med bassengstøvsugeren til siden av bassenget. Vri bryteren med klokken til du hører et klikk, og vannsensorene avdekkes. Lyset på toppen vil bli blått. Senk bassengstøvsugeren i vannet, lyset blir grønt øyeblikkelig og løpehjulet starter etter 4–5 sekunder.



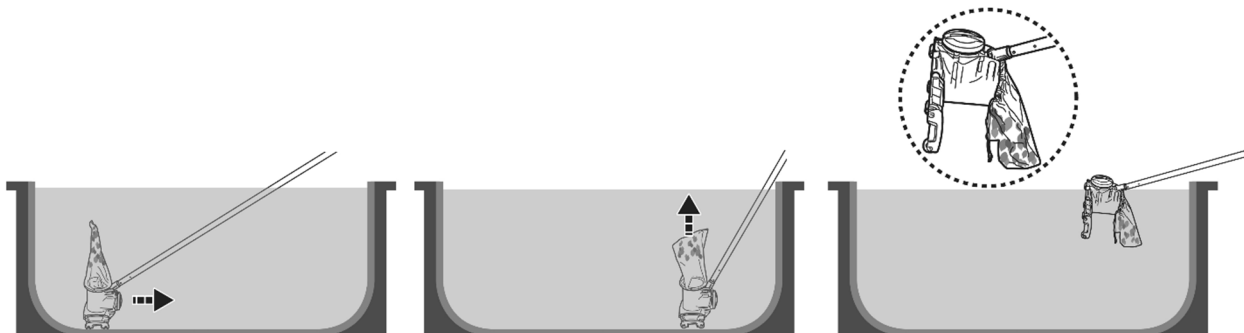
Lysfarge	
Blått	Strøm på (klar for bruk)
Blått – blinkende	Batterinivået er lavt
Grønt	I bruk
Grønt – blinkende	Batterinivået er lavt.
Grønt lys av	Batteriet er tomt (må lades opp)
Rødt	Løpehjulet stopper (løpehjulet er tilstoppet).

For å effektivt støvsuge avfall, må du sørge for at bassengstøvsugeren er lagt flatt på bassengoverflaten når du styrer den frem og tilbake over avfallsområder for å plukke det opp. Avfall hentes fra framsiden, siden og baksiden for å fylle opp filterposen.

Overflødig smuss og avfall i bassenget kan tette løpehjulet, som automatisk stopper for å beskytte motoren, og indikatorlyset blir rødt. Fjern støvsugeren fra bassenget, og skru

den av før du fjerner avfallet og tømmer filterposen hvis den er full. For å bruke den igjen, vri bryteren mot klokken til Strøm av, og deretter med klokken til Strøm på.

- 2) For å hente bassengstøvsugeren, hent den til siden av bassenget og snu den opp ned før du løfter den. Dette er for å forhindre at avfall faller tilbake i bassenget (spesielt hvis du bruker en fin filterpose), og unngå å dermed bøye stangen.



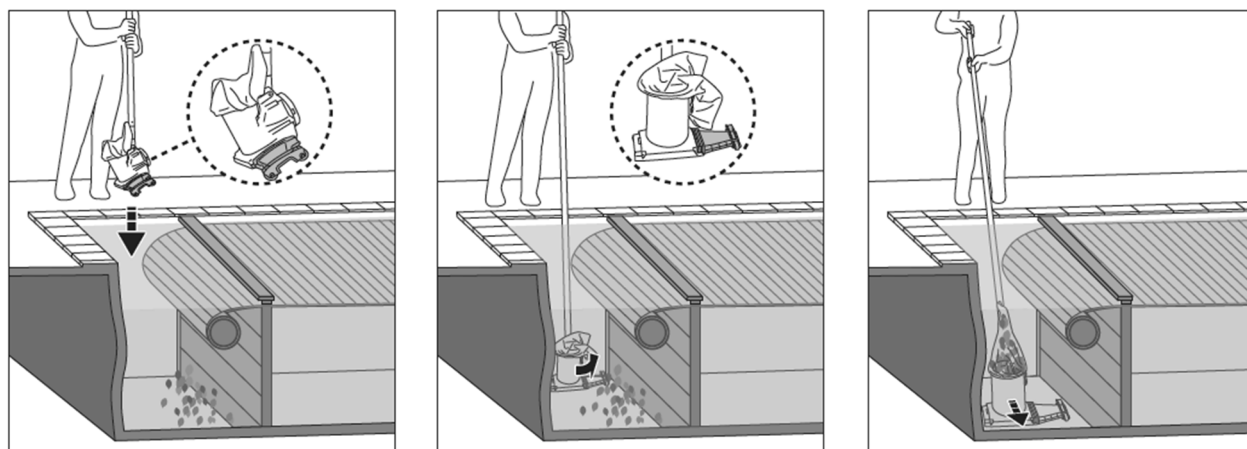
Når bassengstøvsugeren er ute av vannet, vil løpehjulet slutte å snurre i løpet av 2–3 sekunder. LED-lyset vil bli blått. Når batterinivået er lavt, vil det blå lyset blinke.

- 3) Skyll bassengstøvsugeren med rent vann etter hver bruk. IKKE bruk aggressivt rengjøringsmiddel.
- 4) Tørk ladeporten og kontaktene nøye (TIPS: Bruk en bomullsdott til å tørke dem.)

Støvsug det sunkne rommet i et automatisk lamelldeksel

ADVARSEL! Vær oppmerksom på alle sikkerhetsvarsler i bruksanvisningen om automatisk lamelldeksel om rengjøringsprosedyren på forhånd.

- Minimumsavstanden som kreves for å senke støvsugeren ned i det sunkne rommet er 30 cm (12 tommer)



- Fjern treristen og rull ut lammeldekslet i samsvar med instruksjonene fra bruksanvisningen for bassengdekselet.
- Løsne forlengelsen fra bassengstøvsugeren før du senker den ned i bassenget.

- Fest en teleskopstang (ikke inkludert) til håndtaket på bassengstøvsugeren som beskrevet i bruksanvisningen.
- Slå på støvsugeren og juster den som vist på bildet over før den senkes ned.
- Når støvsugeren når bassengbunnen, beveg den parallelt med bassengets lengde som vist over og støvsug det sunkne rommet.

RENGJØRING AV FILTERPOSEN/KASSETTFILTER

Merknad: Kassetfilterpose medfølger ikke nødvendigvis i alle modeller

CAUTION! Sørg for at roboten er slått AV før du rengjør filterposen/kassetfilteret.

Vasker du filterposen og kassetfilteret jevnlig, vil det bidra til å opprettholde god sugeevne og nær kontakt mellom støvsugeren og bassengbunnen ved bruk.

Plasser støvsugeren på et flatt underlag. Press på snorstrammeren for å løsne posen fra hoveddelen.

Det anbefales å vaske filterposen med rennende vann etter hver rengjøringscyklus. Holde den på skrå for å bli kvitt avfallet mellom foldene i kassetfilteret. Du må aldri bruke høytrykksspyler, det vil skade kassettene. For å fjerne vanskelig smuss eller avskum i et tett filter, kan du vaske filterposen i vaskemaskinen på 30 °C (86 °F). For kassetfilteret, legg den i bløt med rengjøringsmiddel i 2–3 timer, og rens deretter med rennende vann. Hvis det må børstes, bruk kun en myk børste for å rengjøre det nøye og forsiktig for å unngå eventuelle skader.

VEDLIKEHOLD OG OPPBEVARING

MERKNAD:

1. Sørg for å rengjøre og tørke områdene rundt ladeporten og vannsensorene etter hver bruk for å unngå flekkdannelse (biprodukt av en naturlig kjemisk reaksjon mellom elektrisk strøm og vann). Flekkene kan ellers fjernes ved å skrubbe lett med en bomullsdott med sitronsaft eller eddik.
2. Batteriet lades ut av seg selv ved lagring. Sørg for at bassengstøvsugeren er ladet opp til mellom 30 % og 50 % av batterikapasiteten før den lagres.
3. Du må lade batteriet minst én gang hver tredje måned når det ikke er i bruk.
 - Koble den eksterne adapteren fra kontakten, og deretter adapterkontakten fra ladepluggen.
 - Koble tilbehør fra bassengstøvsugeren. Skyll bassengstøvsugeren med rent vann etter hver bruk om nødvendig. IKKE bruk aggressivt rengjøringsmiddel.
 - Sørg for å tørke bassengstøvsugeren før oppbevaring.
 - Bruk en fuktig klut til å tørke bassengstøvsugeren og tilbehøret.
 - Oppbevar dem i et område med god ventilasjon og uten direkte sollys, barn, varme, antenneskilder og bassengkjemikalier. Omgivelsestemperaturen ved lagring skal være mellom 10 °C–25 °C (50 °F–77 °F). MERKNAD: Høyere temperatur under oppbevaring kan redusere batterilevetiden.

ADVARSEL!

Du må aldri under noen omstendigheter prøve å demontere bassengstøvsugeren, og bytte ut løpehjulet, motoren og batteriet selv.

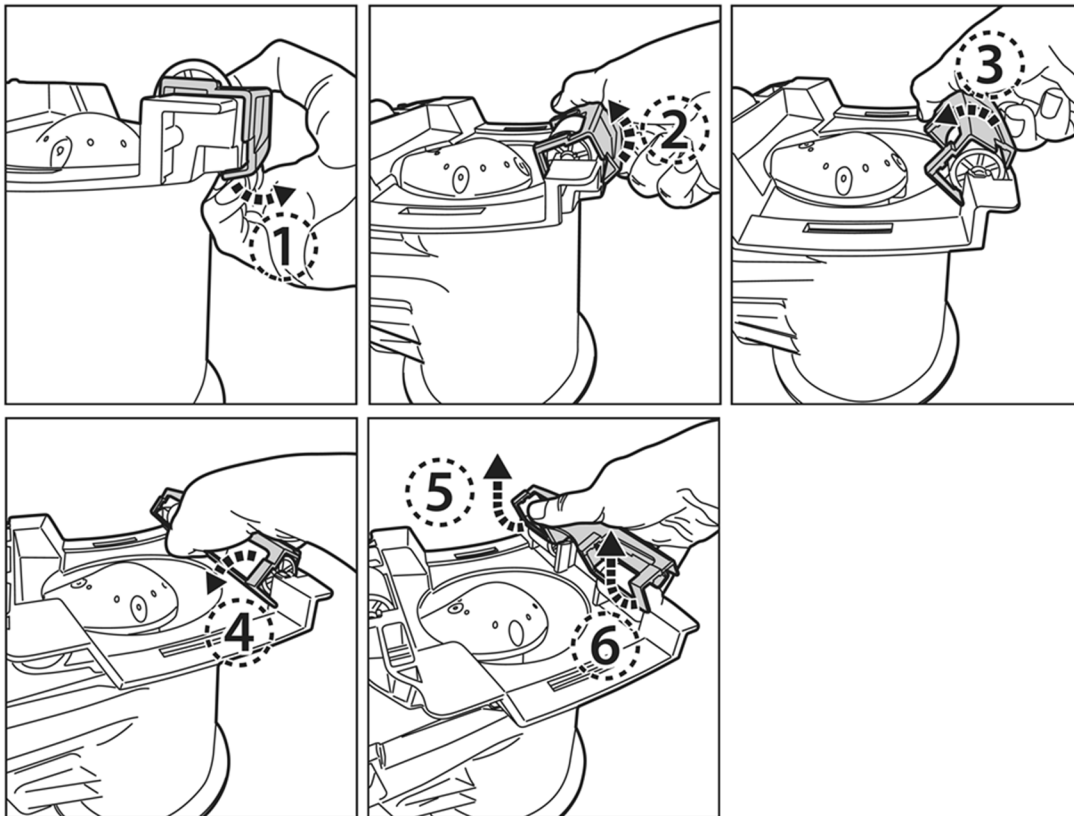
FORSIKTIG!

- Overdrevent høy varme kan skade batteriet, og dermed redusere

bassengstøvsugeren levetid.

- Snakk med forhandleren om å bytte ut batteriet hvis følgende skulle skje:
 - Batteriet lader ikke fullstendig.
 - Batteriets brukstid er merkbart redusert. Observer og registrer driftstiden de første gangene den brukes (med fullt batteri). Bruk disse driftstidene som referansepunkt for sammenligning for driftstider i fremtiden.
 - Batteriet må fjernes fra roboten før den kasseres.
 - Batteriet skal avhendes på en trygg måte i henhold til lokale regler og forskrifter.
- MERK: Feil vedlikehold kan redusere batterilevetiden, og dermed påvirke kapasiteten.

Erstatte fronthjul



Før du løsner de skadede fronthjulene, må du løsne rammen.

1. Press og løft opp rammekanten.
- 2/3/4. Roter rammen til den andre siden.
5. Velg en side og løft den opp.
6. Løft den andre siden for å løsne hele rammen og bytte ut det skadede hjulet.

BATTERIAVHENDING (Skal utføres av en autorisert tekniker)

Roboten er utstyrt med en vedlikeholdfri oppladbar litium-ion-batteripakke, som må avhendes på riktig måte. Resirkulering er obligatorisk, ta kontakt med lokale myndigheter for mer informasjon.

ADVARSEL! Prøv aldri å demontere batteripakken

- Fjern alle personlige eiendeler slik som ringer, armbånd, smykker og klokker når du kobler batteripakken fra roboten.

- Et batteri kan skape en kortslutningsstrøm som er høy nok til å sveise en ring (eller lignende gjenstand) til metall, og kan forårsake alvorlig brannskade.
- Bruk beskyttelsesbriller, hansker og verneklær når du fjerner batteripakken.
- Ikke ta på ledningene, og unngå kontakt mellom dem og metallgjenstander, som kan forårsake gnister og/eller at batteriet kortsluttes.
- Ikke la røyk, gnister eller flammer komme i nærheten av batteriet eller roboten.
- Ikke eksponer batteriet for flammer eller høy varme, dette kan skape en eksplosjon.

FORSIKTIG!

Hvis det oppstår en batterilekkasje, må du unngå kontakt med lekkasjevæsken og legge det skadede batteriet i en plastpose.

- Hvis lekkasjevæsken kommer i kontakt med hud eller klær, vask umiddelbart med mye såpe og vann.
- Hvis lekkasjevæsken kommer i kontakt med øynene, ikke gni deg i øynene. Skyll øynene umiddelbart med kaldt rennende vann i hvertfall 15 minutter, og ikke gni dem. Ta kontakt med lege så snart som mulig.

Hvordan fjerne batteripakken, kun for batteriavhending (må gjøres av en autorisert tekniker)

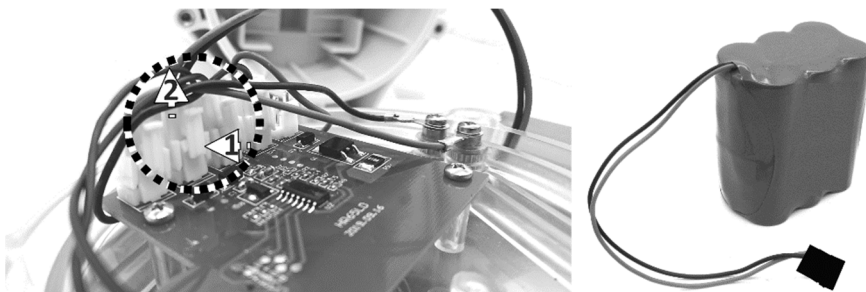
Anbefalte verktøy (ikke inkludert): Philips skrutrekker

ADVARSEL! Bassengstøvsugeren må være koblet fra strømmettet når batteripakken fjernes.



1. Plasser bassengstøvsugeren på en flat overflate. Bruk skrutrekkeren til å skru opp skruene på bakdekselet. Fjern batteriet fra kammeret.



2. For å koble fra batteriledningen må du trykke på klipsen på koblingen for å dra den ut. **MERKNAD:** Pakk koblingen inn i isolasjonsteip øyeblikkelig, for å unngå kortslutning forårsaket av kontakt med begge ledningsterminalene.



FEILSØKING

Problem	Mulig årsak	Løsning
Støvsugeren starter ikke under vann (etter 5–10 sekunder)	Flekker på vannsensorene	Flekkene kan fjernes med en bomullsdott med sitronsaft eller eddik for å rengjøre områdene rundt vannsensorene.
	Tom for batteri	Lad opp bassengstøvsugeren.
Fanger ikke opp avfall / avfall lekker ut i bassenget	Lavt batteri	Lad opp bassengstøvsugeren.
	Tette løpehjul.	Fjern bassengstøvsugeren fra vannet, og vri strømbryteren mot klokken for å slå den av. Sjekk for å se om løpehjulet sitter fast på grunn av stort avfall. Fjern avfallet. Kontakt forhandleren for ytterligere instruksjoner om nødvendig. ADVARSEL! Sørg for at roboten er slått av før service utføres.
	Ødelagt løpehjul	Kontakt forhandleren for utskiftning.
	Filterposen er full/tett	Rengjør filterposen.
Hjulet har løsnet fra hoveddelen.	Kontroller om hjulet/hjulbraketten er ødelagt	Bytt ut med nytt hjul/hjulbrakett.
Ladetiden lengre enn angitt	Ladekontaktene har flekker	Flekkene kan fjernes med en bomullsdott med sitronsaft eller eddik for å rengjøre områdene rundt ladekontaktene.
Støvsuger kan ikke lades	Skadet batteri	Kontakt forhandleren for å bytte ut batteriet. ADVARSEL! IKKE bytt ut batteriet selv. Det kan forårsake alvorlige eller dødelige skader, og garantien vil oppheves som en følge av dette.
	Ladepluggen er ikke koblet riktig til den eksterne adapteren og bassengstøvsugeren	Se bruksanvisningen, og koble til ladetilbehøret riktig.
	Den eksterne adapteren fungerer ikke	Kontakt forhandleren for å bytte den ut. ADVARSEL! Hvis du bruker feil ekstern adapter, kan det skade bassengstøvsugeren/batteriet og oppheve garantien.
Miljøprogrammer, europeisk WEEE-direktiv		
	Overhold EUs forskrifter og bidra til å beskytte miljøet. Returner elektrisk utstyr som ikke fungerer til et kommunalt anlegg som resirkulerer elektrisk og elektronisk utstyr. Ikke kast dem sammen med restavfall. For enheter med uttagbare batterier, fjern batteriene før produktet avhendes.	
	© 2021 BWT Holding GmbH. 21011004 Med enerett. Ingen deler av denne publikasjonen kan reproduseres eller overføres i noen form, elektronisk, mekanisk, ved fotokopiering eller opptak uten skriftlig forhåndstillatelse fra BWT Holding GmbH. (V1)	

Hvis du trenger en elektronisk kopi av denne bruksanvisningen, kontakt kundeservice på e-post.

OPPBEVAR DISSE INSTRUKSJONENE

INSTRUÇÕES E AVISOS DE SEGURANÇA

As informações existentes neste Manual de Instruções ajudá-lo-ão a operar o item de forma segura, proteja-se a si e a outros de perigos, e evitar danos no dispositivo e outros bens.

GUARDE ESTAS INSTRUÇÕES

AVISO!

- Isto não é um BRINQUEDO. As crianças devem ser mantidas afastadas deste aspirador de piscina e dos seus acessórios.
- Nunca deixe crianças operar este aspirador de piscinas.
- Este dispositivo não serve para ser utilizado por pessoas com capacidades físicas, sensoriais ou mentais reduzidas, ou falta de experiência e conhecimento, a menos que estejam sob supervisão ou a receber instruções relativamente à utilização segura do dispositivo e entendem os perigos envolvidos por parte de uma pessoa responsável pela sua segurança.
- As crianças não devem brincar com este produto.
- A limpeza e a manutenção do aspirador de piscinas não deve ser realizada por crianças
- Certifique-se de que o aspirador de piscinas está totalmente submerso em água antes de iniciar o manuseamento. O nível mínimo de água necessário para operar o aspirador de piscinas deve cobrir a totalidade do aspirador de piscinas. Operar o aspirador de piscinas quando o mesmo não está submerso em água corretamente poderá resultar em danos na unidade e anular a garantia.
- A profundidade operativa máxima em água é de 3 metros (9,8ft).
- Temperatura máxima da água: 5°C (41°F) – 35°C (95°F)
- ☞☐☞ Unidade de alimentação extraível (adaptador externo).
- O aspirador de piscinas só deve ser recarregado com o adaptador externo e a tomada de carregamento fornecidos com este produto.
- Para carregar a bateria, utilize apenas a unidade de alimentação extraível (número de modelo de adaptador externo: DSS12D-1351000-B / DSS12D-1351000-C / DSS12D-1351000-D/ LX135100U) fornecido com este aspirador de piscinas para carregar a bateria.
- Conecte o adaptador externo a uma fonte de alimentação através de um dispositivo de corrente residencial (RCD) / um interruptor de circuito de falha de terra (GFCI). Se houver dúvidas, consulte um electricista qualificado.
- Não utilize este aspirador de piscina se forem detetados danos.
- Substitua as peças danificadas por umas certificadas pelo distribuidor ou fabricante.
- Desligue a alimentação, desconecte o adaptador externo da fonte de alimentação, e desligue o adaptador externo da tomada de carregamento antes de retirar o aspirador de piscinas da tomada de carregamento.
- Desconecte o aspirador de piscinas da alimentação principal e certifique-

- se de que o aspirador de piscinas está DESLIGADO antes de fazer a manutenção como, por exemplo, limpar o saco do filtro.
- Não tente substituir a bateria de Lítio-íão recarregável.
 - NÃO manuseie o aspirador de piscinas, o adaptador externo e a tomada de carregamento enquanto está a carregar com as mãos molhadas ou sem sapatos.
 - Não deverá operar este aspirador de piscina quando pessoas/animais estiverem na água.
 - NÃO utilize este aspirador de piscinas sem um saco do filtro intacto, uma vez que a sua garantia será anulada.
 - Perigo de entalamento de sucção: Este aspirador de piscinas gera sucção. Não deixe que cabelo, partes do corpo ou quaisquer outras partes da sua roupa entrem em contacto com o orifício de sucção do aspirador da piscina durante o seu funcionamento.
 - Nunca insira partes corporais, roupa ou outros objetos nas aberturas e partes em movimento do aspirador de piscina.
 - NÃO utilize este aspirador de piscinas para apanhar substâncias tóxicas, inflamáveis e líquidos combustíveis (ou seja, gasolina) na presença de fumos explosivos ou inflamáveis.
 - Sob circunstância alguma deverá tentar desmontar o aspirador de piscinas e substituir o propulsor, o motor ou a bateria.
 - Nunca insira os dedos ou qualquer objeto para tocar no propulsor.
 - A bateria embutida deve ser removida por um técnico qualificado antes de ser eliminada.
 - O aspirador de piscinas contém uma bateria que só pode ser removida por pessoas aptas.
 - O aspirador de piscinas deverá estar desconectado da alimentação principal aquando da remoção da bateria
 - Para detalhes relativamente à eliminação/reciclagem da bateria, consulte a secção “ELIMINAÇÃO DA BATERIA” neste manual e contacte as autoridades locais para mais informações.
 - A bateria deve ser eliminada de forma segura de acordo com os regulamentos e decretos locais.
- Adaptador externo e tomada de carregamento:
- Nunca utilize o adaptador externo e a tomada de carregamento para o que for que não seja carregar a bateria do aspirador de piscinas que é fornecido no mesmo pack.
 - O adaptador externo e a tomada de carregamento não devem ser utilizados no exterior, nem devem ser expostos a chuva, humidade e a quaisquer líquidos ou a calor.
 - O transformador (ou adaptador externo) dever-se-á localizar fora da zona 1
 - Mantenha o adaptador externo e a tomada de carregamento fora do alcance das crianças.
 - Nunca utilize o adaptador externo e a tomada de carregamento se forem detetados quaisquer danos.

- NÃO manuseie o adaptador externo e a tomada de carregamento com as mãos molhadas.
- NÃO manuseie o aspirador de piscinas, o adaptador externo e a tomada de carregamento durante o carregamento, com as mãos molhadas e sem sapatos.
- Mantenha o adaptador externo desconectado da alimentação quando não estiver a ser utilizado.
- Nunca tente abrir o adaptador externo e a tomada de carregamento.
- Se o cabo de alimentação do adaptador externo estiver danificado, o adaptador externo deve ser substituído pelo fabricante ou agente representante para evitar potenciais perigos deste tipo.
- Certifique-se de que o aspirador de piscinas e a tomada de carregamento estão totalmente secos antes de carregar.

CUIDADO!

- Este aspirador de piscina foi criado apenas para utilização subaquática; não é um aspirador multifunções. NÃO tente utilizá-lo para limpar qualquer coisa que não a sua piscina/spa.
- Utilize apenas acessórios originais entregues com o produto.
- NÃO utilize este aspirador após choque de piscina. Recomenda-se que deixe a piscina circular durante, pelo menos, 24 a 48 horas.
- Se utilizar o aspirador de piscinas numa piscina de água salgada, certifique-se de que todo o sal está dissolvido antes de deslocar o aspirador de piscinas.
- NÃO utilize este aspirador de piscinas com outro limpador automático simultaneamente na piscina/spa.
- Evite apanhar objetos rígidos e afiados com este produto podem danificar o aspirador de piscinas e o filtro.
- Para evitar danos no adaptador externo e na tomada de carregamento, não tente transportar o aspirador de piscinas pelo cabo do adaptador externo / tomada de carregamento ou puxe o cabo para desconectá-lo da fonte de alimentação e da tomada de carregamento.
- Carregue o aspirador de piscinas no interior numa área limpa e seca com boa ventilação e longe da luz solar.
- NÃO deixe o aspirador de piscina a carregar durante mais de 10 horas.
- Se o aspirador de piscinas não for utilizado durante o período longo, retire-o da tomada de carregamento e utilize um pano húmido para limpar e secar o aspirador de piscinas e acessórios. Certifique-se de que carrega o aspirador de piscinas para cerca de 30% a 50% da capacidade de bateria antes de ser guardado. Guarde-o numa área bem ventilada afastado da luz direta do sol, do calor, de fontes de ignição, de químicos da piscina e de crianças. Nunca deixe o aspirador de piscinas ligado em armazenamento a longo prazo. Carregue o aspirador de piscina a cada três meses..
- Todas as ações relativamente à desmontagem da unidade principal (ou seja, eliminação da bateria) só podem ser realizadas por um técnico autorizado.

Os avisos e cuidados acima não têm como objetivo incorporar todas as possíveis instâncias de riscos e/ou lesões graves. Os proprietários da piscina/spa deverão ter sempre um cuidado extra e senso comum aquando da utilização do produto.

Observação: Os esquemas/fotos do produto/das partes neste manual são apenas para demonstração. Os esquemas/fotos do produto/das partes poderão variar com o modelo adquirido. Accessories / parts shown in this manual & parts diagram are not necessarily included with every model. Accessories / parts shown in this manual & parts diagram are not necessarily included with every model.

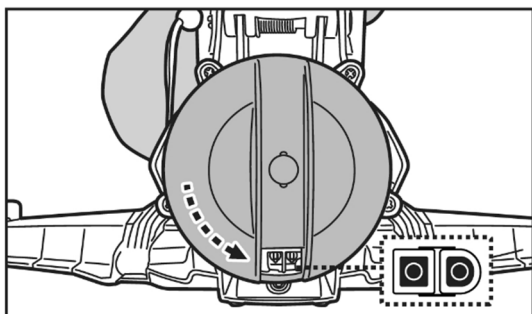
INÍCIO

Carregar a bateria

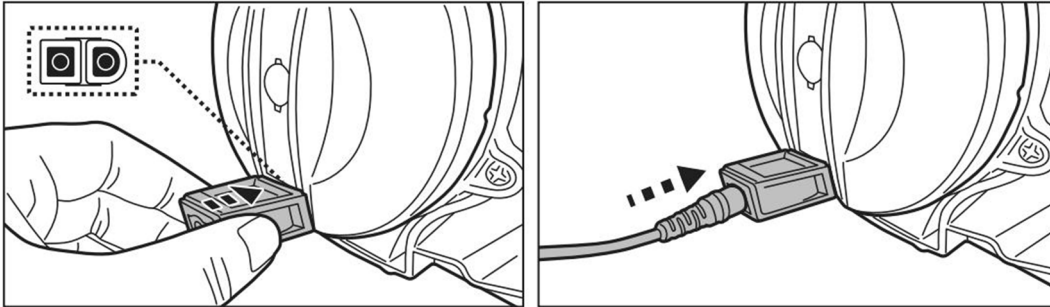
NOTA IMPORTANTE: Carregue na totalidade o aspirador de piscinas (cerca de 6 hrs) antes de o utilizar pela primeira vez.

AVISO!

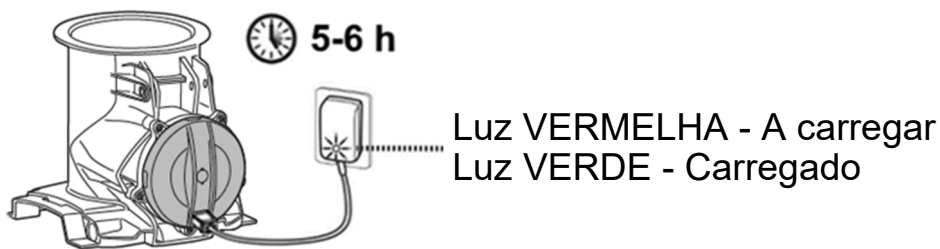
- Utilize apenas o adaptador externo e a tomada de carregamento originais fornecidos.
 - Certifique-se de que o aspirador de piscinas e a porta de carregamento de carregamento estão limpos e secos antes de configurar e carregar. (DICAS: Utilize um cotonete para secar a porta de carregamento e os pinos de carregamento)
 - Os pinos de carregamento são à prova de água. No entanto, resquícios de água na porta e em volta dos pinos poderão resultar numa ocorrência natural de manchas (um subproduto da reação química entre a água e as correntes elétricas). Caso contrário, as manchas podem ser removidas esfregando ligeiramente com um cotonete embebido em sumo de limão ou vinagre.
1. Coloque a unidade numa superfície plana. Coloque o aspirador de piscinas em modo carregamento/desligado rodando o botão giratório de ligar/desligado no sentido contrário ao dos ponteiros do relógio até que clique e exponha na totalidade a porta de carregamento.



2. Alinhe a anexe a tomada de carregamento com a porta de carregamento. **AVISO!** Certifique-se de que não inverte a tomada de carregamento e que a tomada de carregamento e a porta de carregamento estão limpas e secas antes de as carregar. **DICAS:** Utilize um cotonete para secar a porta de carregamento e os pinos. Ligue o cabo de carregamento do adaptador externo à tomada de carregamento.



3. Ligue o adaptador externo à fonte de alimentação. A luz indicadora no adaptador externo ficará vermelha quando o aspirador estiver a carregar e verde quando estiver totalmente carregado. Carregue-o durante 5 a 6 horas para um melhor desempenho.



- Desconecte imediatamente o adaptador externo da fonte de alimentação se detetar qualquer uma das seguintes situações:
 - Odor agressivo ou anormal
 - Calor excessivo
 - Deformação, rachas, fugas
 - Fumo
- 4. Quando o carregamento está concluído, desconecte o adaptador externo da fonte de alimentação e desligue o cabo de carregamento da tomada de carregamento. Retire a tomada de carregamento da unidade principal. **AVISO!** Nunca deixe a tomada de carregamento enquanto o aspirador de piscinas estiver na água.

Normalmente, o aspirador de piscinas foi criado para operar até 75 minutos em carga completa.

Nota: Esvazie o saco do filtro com regularidade. Resíduos em excesso aumentam o peso no motor e poderão encurtar o tempo operativo.

FACTO: A bateria de ião-lítio é classificada como item consumível. Tem uma vida limitada e irá gradualmente perder a sua capacidade de manter uma carga. Assim, o tempo de

funcionamento do aspirador de piscinas irá reduzir, gradualmente, devido ao carregamento e descarga repetidos na operação.

Assim que a vida útil da bateria alcança o seu fim, consulte a secção “ELIMINAÇÃO DA BATERIA” para instruções relativamente a eliminação da bateria.

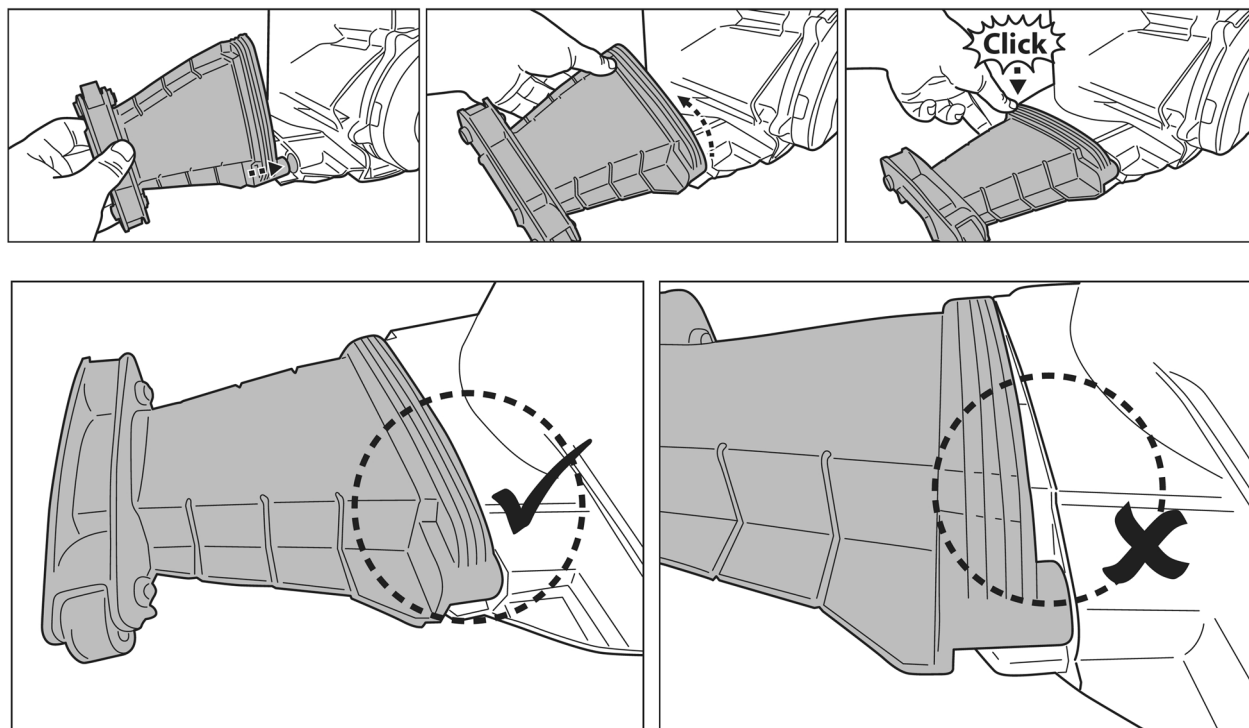
NOTA: Deixe o aspirador de piscina descansar durante 30 a 40 minutos antes de o carregar novamente.

Configuração antes da utilização

Estes aspiradores de piscinas têm extensões removíveis que podem ser removidas para limpar as áreas estreitas.

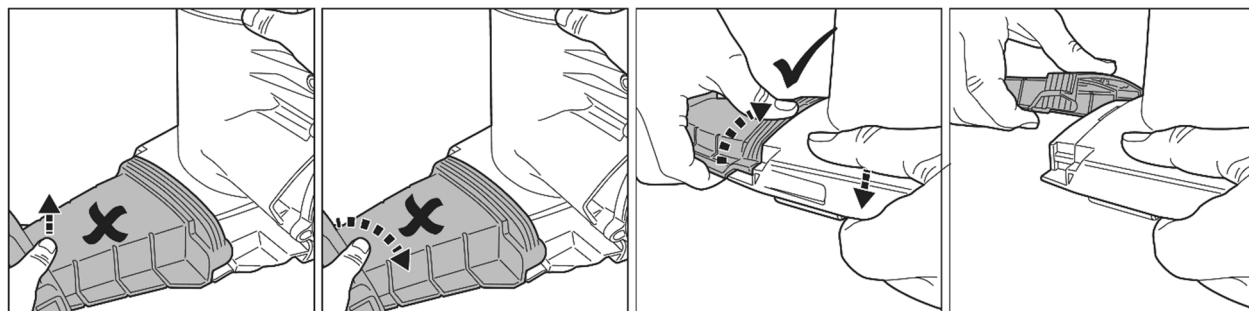
Montagem da extensão lateral

Insira a haste da asa no orifício na lateral do corpo principal. Rode a asa e prima-a para a segurar ao corpo principal. Irá ouvir um “clique”.



Desmontagem da extensão lateral

Inverta os passos para desmontar a extensão da unidade principal.

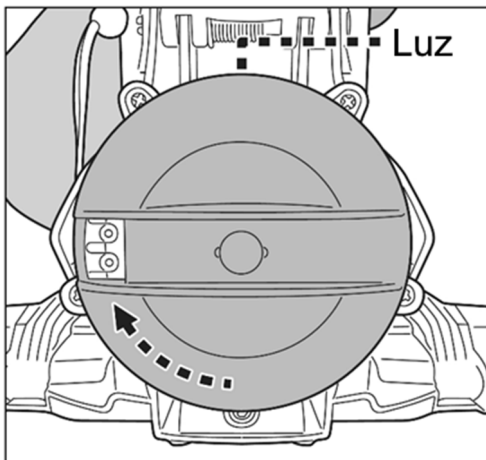


Preparação da Piscina

- Se o revestimento estiver quebradiço, danificado ou enrugado, contacte um profissional qualificado para realizar as reparações necessárias, ou substitua o revestimento antes de utilizar o aspirador de piscinas.
- Se utilizar uma piscina de água salgada, certifique-se de que todo o sal está dissolvido antes de colocar o aspirador de piscinas na água.

OPERAÇÃO

- 1) Coloque o seu aspirador de piscinas na lateral da sua piscina. Rode o botão giratório de ligar/desligar no sentido dos ponteiros do relógio até que clique para expor os sensores de água. A luz na parte superior irá ficar azul. Submerja o aspirador de piscinas em água, a luz fica imediatamente verde e o propulsor irá começar a rodar após 4-5 segundos.

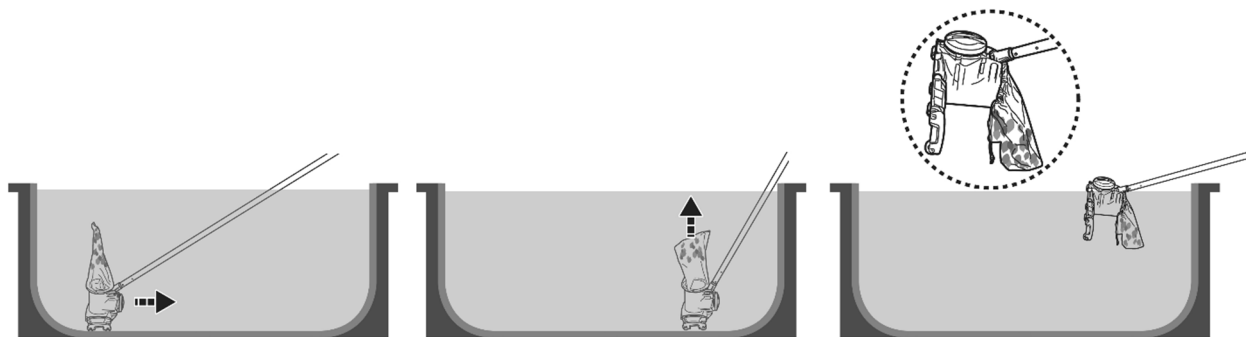


Cor da luz	
Azul	Ligado (pronto para operar)
Azul - a piscar	Nível da bateria fraco
Verde	Em funcionamento
Verde - a piscar	Nível da bateria fraco.
Luz verde desligada	Bateria gasta (Deve ser carregada)
Vermelho	Propulsor para (Propulsor entupido).

Para aspirar resíduos de forma adequada, certifique-se de que o aspirador de piscinas é colocado no chão da piscina enquanto o movimenta para a frente e para trás em movimentos regulares sobre manchas de resíduos para recolha. Os resíduos são recolhidos da dianteira, da lateral e da traseira para encher o saco do filtro.

O excesso de resíduos e sujidade na piscina poderá entupir o propulsor, que irá parar automaticamente para proteger o motor e a luz indicadora ficará vermelha. Remova o aspirador da piscina e desligue-o antes de desentupir e esvaziar o saco do filtro se o mesmo estiver cheio. Para voltar à operação, rode o botão giratório de ligar/desligar no sentido contrário aos dos ponteiros do relógio até que Power Off (desligado) seja selecionado, e depois rode-no sentido dos ponteiros do relógio para selecionar Power On (ligado).

- 2) Para recuperar o aspirador de piscinas, coloque-o na lateral da piscina e vire-o ao contrário antes de o retirar. Isto é realizado para evitar que resíduos voltem para dentro da piscina (especialmente se estiver a utilizar o saco do filtro fino) e evite dobrar o mastro no processo.



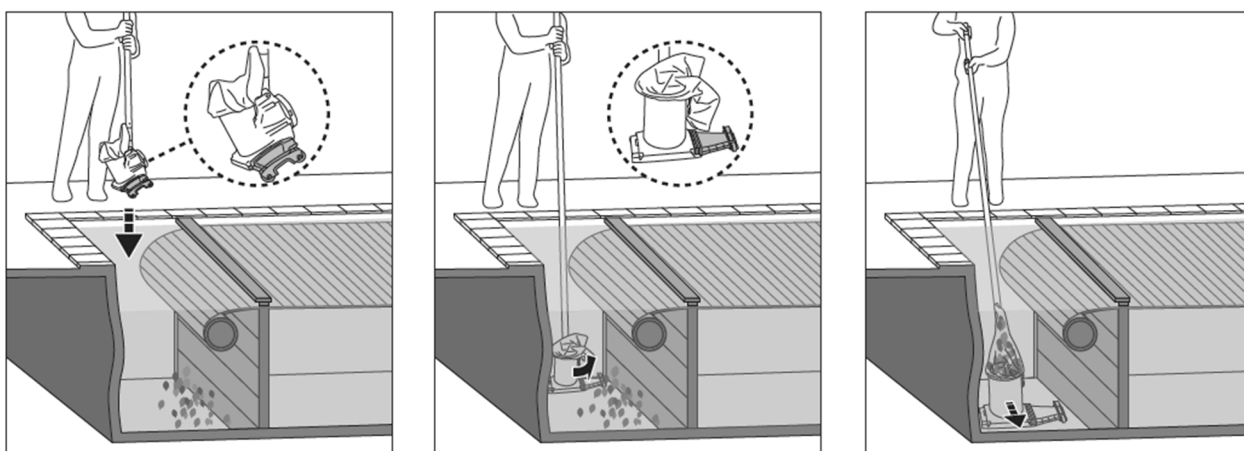
Assim que o aspirador de piscinas estiver fora da água, o propulsor irá deixar de rodar em 2-3 segundos. A luz LED irá ficar azul. Quando o nível da bateria estiver fraco, a luz azul irá piscar.

- 3) Lave o aspirador de piscinas com água fresca após cada utilização. NÃO utilize qualquer detergente agressivo.
- 4) Seque a porta de carregamento e os pinos adequadamente (DICAS): Utilize um cotonete para os secar).

Aspirar o compartimento afundado de uma tampa ripada automática

AVISO! Tome atenção a todos os avisos de segurança no manual da sua tampa ripada automática relativamente a esta operação de limpeza antecipadamente.

- A distância mínima exigida para a imersão do aspirador no compartimento afundado é de 30 cm (12 pol.)



- Remova o estrado e desenrole o tapete da piscina de acordo com as instruções do manual da tampa da piscina.
- Retire uma extensão do aspirador de piscinas antes de o submergir na piscina.

- Anexe o mastro telescópico (não fornecido) ao manípulo do aspirador de piscinas conforme indicado no manual.
- Ligue o aspirador e depois alinhe-o conforme indicado na imagem acima antes da imersão.
- Assim que o limpador atingir o chão da piscina, coloque-o paralelamente ao comprimento da piscina conforme indicado acima e comece a aspirar o compartimento afundado.

LIMPEZA DO SACO DO FILTRO/FILTRO DO CARTUCHO

Observação: O saco do filtro do cartucho não está necessariamente incluído com cada modelo

CUIDADO! Certifique-se de que o aspirador de piscinas está OFF antes de limpar o saco do filtro/filtro do cartucho.

Lavar com regularidade o saco do filtro e o filtro do cartucho ajuda a manter uma boa sucção e feche o contacto entre o aspirador e o chão da piscina durante a operação. Coloque o limpador numa superfície nivelada. Prima o fecho para libertar o saco do corpo principal.

Recomenda-se que lave o saco do filtro com um jato de água após cada ciclo de limpeza da piscina. Borrife a um ângulo para se librar de resíduos entre as pregas do filtro do cartucho. Nunca utilize uma lavadora de alta pressão uma vez que irá danificar os cartuchos. Para eliminar a sujidade e espuma persistente num filtro entupido, lave o saco do filtro numa máquina de lavar com uma temperatura de água de 30 °C (86 °F). Para o filtro do cartucho, embeba-o em água com detergente durante 2 a 3 horas, depois lave-o com um jato de água. Se for necessária escovagem, utilize apenas uma escova suave para o limpar cuidadosamente para evitar quaisquer danos.

MANUTENÇÃO E ARMAZENAMENTO

NOTA:

1. Certifique-se de que limpa e seca as áreas em volta da porta de carregamento e dos sensores de água após cada utilização para evitar a formação de manchas (subproduto de uma reação química natural entre corrente elétrica e água). Caso contrário, as manchas podem ser removidas esfregando ligeiramente com um cotonete embebido em sumo de limão ou vinagre.
 2. A bateria descarrega sozinha durante o armazenamento. Certifique-se de que carrega o aspirador de piscinas para cerca de 30% a 50% da capacidade de bateria antes de ser guardado.
 3. Deverá recarregar a bateria pelo menos uma vez a cada três meses quando a mesma não for utilizada..
 - Desligue o adaptador externo da tomada e depois desligue a tomada do adaptador da tomada de carregamento.
 - Retire os acessórios do aspirador de piscinas. Se necessário, lave o aspirador de piscinas e os acessórios com água fresca. NÃO utilize qualquer detergente agressivo.
 - Certifique-se de que seca o aspirador de piscinas antes do armazenamento.
2. Utilize um pano húmido para limpar e secar o aspirador de piscina e seus acessórios.
- Guarde-os numa área bem ventilada afastados da luz do sol, de crianças, de calor, de fontes de ignição e de químicos de piscinas. Ambient temperature for storage should

be 10°C – 25°C (50°F – 77°F). NOTA: Uma temperatura superior poderá reduzir a vida útil da bateria durante o armazenamento.

AVISO!

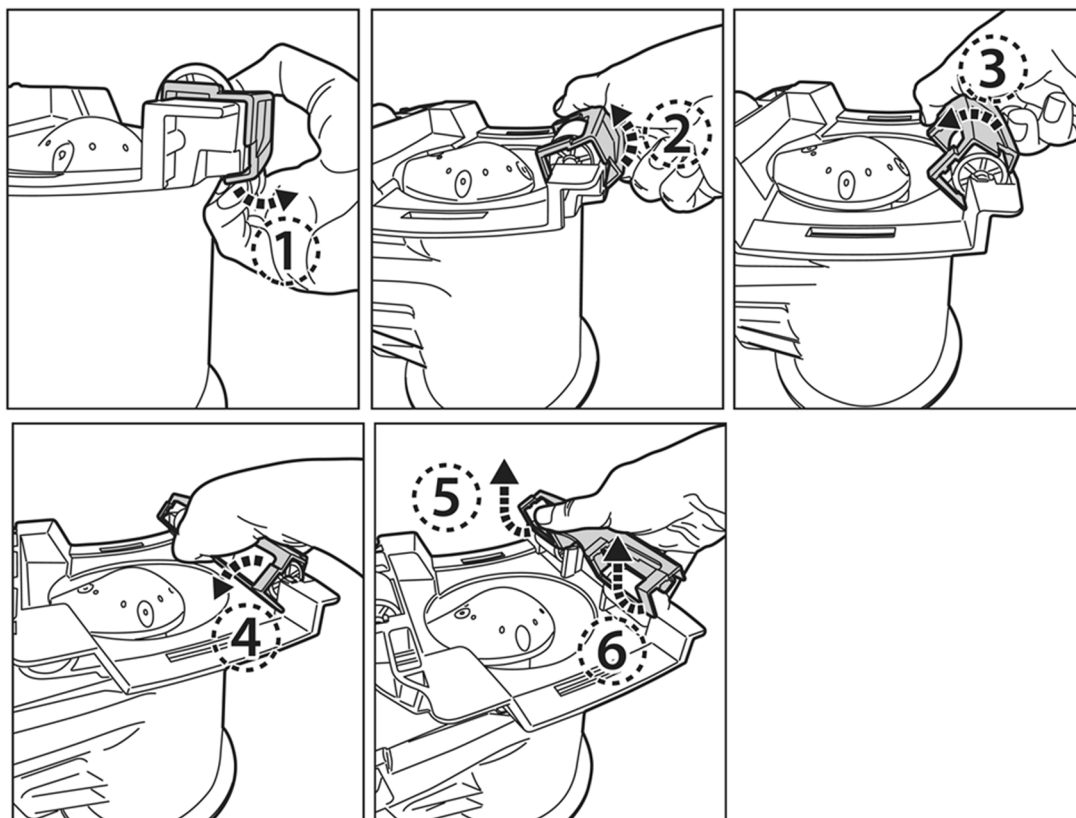
Sob circunstância alguma deverá tentar desmontar o aspirador de piscinas e substituir o propulsor, motor e a bateria.

CUIDADO!

- O calor excessivo pode danificar a bateria e reduzir a vida útil do seu aspirador de piscinas.
- Consulte o seu revendedor relativamente à substituição da bateria, se acontecer o seguinte:
 - A bateria não carrega na totalidade.
 - O tempo de funcionamento da bateria está muito reduzido. Observe e registre os tempos de funcionamento das primeiras operações (totalmente carregada). Utilize estes tempos de funcionamento como ponto de referência para comparação com tempos de funcionamento no futuro.
- A bateria deverá ser removida do robô antes de ser colocada no lixo.
- A bateria deve ser eliminada de forma segura de acordo com os regulamentos e decretos locais.

NOTA: A manutenção incorreta poderá reduzir a vida útil da bateria e afetar a sua capacidade.

Substituição das rodas dianteiras



Antes de retirar as rodas dianteiras danificadas, necessitará de retirar a estrutura primeiro.

1. Levante a extremidade da estrutura.
- 2/3/4. Rode a estrutura para a outra extremidade.
5. Escolha uma extremidade e levante-a.
6. Levante a outra extremidade para retirar toda a estrutura para substituir a roda danificada.

ELIMINAÇÃO DA BATERIA *(A ser realizada por um técnico autorizado)*

O seu robô está equipado com um pack de bateria de ião-lítio recarregável e sem manutenção que deverá ser eliminado de forma adequada. A reciclagem é necessária; contacte a sua autoridade local para mais informações.

AVISO! Nunca tente desmontar a bateria

- Remova todos os itens pessoais como, por exemplo, anéis, pulseiras, colares e relógios quando o pack da bateria está desligado do robô.
- Uma bateria pode produzir uma corrente de curto-circuito alta o suficiente para soltar um anel (ou item similar) a metal, causando uma queimadura grave no processo.
- Utilize proteção ocular completa, luvas e vestuário de proteção quando a bateria estiver a ser removida.
- Evite tocar nos cabos juntos e evitar o contacto entre eles e quaisquer itens de metal, que
- Poderão causar faíscas e/ou curto-circuito da bateria.
- Nunca fume ou permita uma faísca ou chama na proximidade da bateria ou do robô.
- Não exponha a bateria a fogo ou a calor intenso uma vez que isto poderá resultar numa explosão.

CUIDADO!

Se ocorrer uma fuga da bateria, evite qualquer contacto com os líquidos em fuga e coloque a bateria danificada num saco de plástico.

- Se os fluidos de fuga entrarem em contacto a pele e com a roupa, lave imediatamente com muita água e sabão.
- Se líquidos em fuga entrarem em contacto com a pele e com a roupa, lave imediatamente com muito sabão e água. Procure ajuda médica assim que for possível.

Como remover a bateria apenas para eliminação *(A ser realizado por um técnico autorizado)*

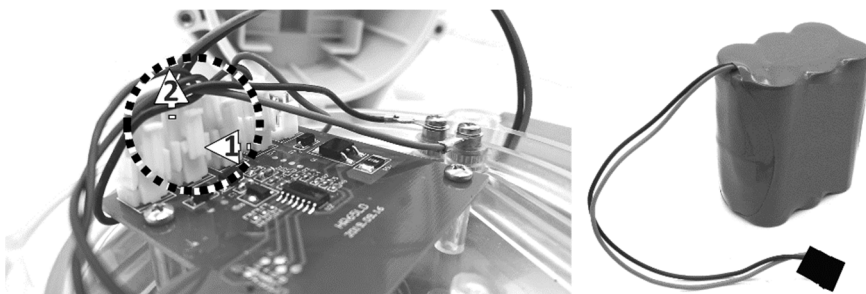
Ferramentas recomendadas (não incluídas): Chave de fendas Philips

AVISO! O aspirador de piscinas deve ser desconectado da alimentação principal antes de remover a bateria.



1. Coloque o aspirador de piscinas numa superfície estável. Utilize a chave de fendas para desaparafusar os parafusos na tampa traseira. Remova a bateria da câmara.



2. Para retirar o cabo de ligação da bateria, prima o clipe do conector para o puxar para fora. **NOTA:** Enrole o conector imediatamente com fita isoladora de modo a evitar qualquer curto-circuito causado pelo contacto de ambos os terminais de cabo.



RESOLUÇÃO DE PROBLEMAS

Problema	Causa Possível	Solução
O limpador não começa a trabalhar debaixo de água (após 5-10 segundos)	Sensores de água manchados	As manchas podem ser removidas com um cotonete embebido em sumo de limão ou vinagre para limpar as áreas em volta dos sensores de água.
	Sem bateria	Carregar o aspirador de piscinas.
Não captura os resíduos/resíduos que tenham caído na piscina	Bateria fraca	Carregar o aspirador de piscinas.
	Propulsor encravado	Remova o aspirador de piscinas da água e rode o botão giratório no sentido contrário ao dos ponteiros do relógio para o desligar. Verifique e veja se o propulsor está entupido com resíduos grandes. Remova os resíduos. Se necessário, contacte o seu revendedor para instruções. AVISO! Certifique-se de que o aspirador de piscinas está desligado antes de a unidade ser verificada.
	Propulsor danificado.	Contacte o seu revendedor para substituição.
	Saco do filtro está cheio/entupido	Limpe o saco do filtro.
Roda desengatada do corpo.	Verifique se a roda/suporte da roda está danificado	Substitua a nova roda/suporte da roda.
Tempo de carregamento é superior ao indicado	Pinos de carregamento manchados	As manchas podem ser removidas com um cotonete embebido em sumo de limão ou vinagre para limpar as áreas em volta dos pinos de carregamento.
O limpador não carrega	Bateria danificada	Contacte o revendedor para substituição da bateria. AVISO! NÃO substitua a bateria você mesmo. Isto poderá resultar em lesões graves ou fatais e a garantia será anulada.
	A tomada de carregamento não está bem conectada ao adaptador externo e ao aspirador de piscinas	Consulte o manual de instruções e conecte os acessórios de carregamento de forma correta.
	Adaptador externo não funciona corretamente	Contacte o revendedor para substituir. AVISO! Utilizar um adaptador externo errado irá resultar em danos no aspirador de piscina/na bateria e anular a garantia.
Programas Ambientais, Diretiva Europeia WEEE		
	Respeite os regulamentos da União Europeia e ajude a proteger o ambiente. Devolva equipamento elétrico avariado a uma unidade indicada pelo seu município que recicle adequadamente equipamento elétrico e eletrónico. Não elimine o equipamento em caixotes de lixo comuns. Para itens que contenham baterias removíveis, remova as baterias antes de eliminar o produto.	
	© 2021 BWT Holding GmbH. 21011004 Todos os direitos reservados. Nenhuma parte deste documento poderá ser reproduzida ou transmitida sob qualquer forma ou através de quaisquer meios, eletrónicos, mecânicos, fotocópia, gravação ou outros, sem o prévio consentimento por escrito da BWT Holding GmbH. (V1)	

Se for necessária uma cópia em papel deste manual de instruções, contacte o serviço de atendimento ao cliente através do email


GUARDE ESTAR INSTRUÇÕES

ПРЕДУПРЕЖДЕНИЯ И ИНСТРУКЦИИ ПО БЕЗОПАСНОСТИ

Информация, содержащаяся в этой инструкции по эксплуатации, поможет вам безопасно управлять изделием, защитить себя и других от опасностей и предотвратить повреждение устройства и другого имущества.

СОХРАНИТЕ ЭТИ ИНСТРУКЦИИ

ПРЕДУПРЕЖДЕНИЕ!

- Этот аппарат - не ИГРУШКА. Не позволяйте детям приближаться к пылесосу для бассейна и его аксессуарам.
- Ни в коем случае не позволяйте детям управлять пылесосом.
- Это устройство не предназначено для использования людьми с ограниченными физическими, сенсорными и умственными способностями или с недостатком опыта и знаний, если они не находятся под наблюдением или не получают инструкций относительно безопасного использования устройства и разъяснений опасности от лица, ответственного за их безопасность.
- Дети не должны играть этим изделием.
- Дети не должны заниматься чисткой и обслуживанием пылесоса.
- Перед началом работы убедитесь, что пылесос для бассейна полностью погружен в воду. Минимальный уровень воды, необходимый для работы пылесоса, должен полностью покрывать устройство. Эксплуатация пылесоса при неправильном погружении может привести к повреждению устройства и аннулированию гарантии.
- Максимальная рабочая глубина в воде составляет 3 метра (9.8 футов).
- Рабочая температура воды: 5°C (41°F) – 35°C (95°F).
-  Съёмный блок питания (внешний адаптер).
- Пылесос для бассейна можно заряжать только с помощью внешнего адаптера и зарядной вилки, поставляемых с этим продуктом.
- Для зарядки аккумулятора используйте только съёмный блок питания (номер модели внешнего адаптера: DSS12D-1351000-B / DSS12D-1351000-C / DSS12D-1351000-D/ LX135100U) который поставляется с этим пылесосом для зарядки аккумулятора.
- Подключите внешний адаптер к источнику питания через устройство защитного отключения (УЗО) / выключатель короткого замыкания на землю (ВКЗЗ). В случае сомнений проконсультируйтесь с квалифицированным электриком.
- Не пользуйтесь этим пылесосом, если он имеет какие-либо повреждения.
- Замените поврежденные детали на новые, сертифицированные дистрибьютором или производителем.
- Прежде чем отсоединять пылесос от зарядной вилки, выключите пылесос, отсоедините внешний адаптер от источника питания и

- отсоедините внешний адаптер от зарядной вилки.
- Отключите пылесос для бассейна от электросети и убедитесь, что он выключен, прежде чем проводить его обслуживание, например очистку фильтра-мешка.
 - Не пытайтесь самостоятельно заменить установленный ионно-литиевый аккумулятор.
 - НЕ трогайте пылесос, внешний адаптер и зарядную вилку во время зарядки мокрыми конечностями и без обуви.
 - Не следует пользоваться пылесосом, когда в воде находятся люди / домашние животные.
 - НЕ пользуйтесь этим пылесосом без исправного фильтра-мешка., в противном случае ваша гарантия будет аннулирована.
 - Опасность захвата при всасывании: этот пылесос для бассейна создает всасывающий эффект. Следите за тем, чтобы волосы, части тела и свободные части вашей одежды не касались всасывающего отверстия пылесоса во время его работы.
 - Ни в коем случае не вставляйте части тела, одежду и другие предметы в отверстия и движущиеся части пылесоса.
 - НЕ используйте этот пылесос для сбора токсичных веществ, легковоспламеняющихся и горючих жидкостей (например, бензина) в присутствии взрывоопасных или легковоспламеняющихся паров.
 - Ни при каких обстоятельствах не следует разбирать пылесос для самостоятельной замены лопастного колеса, двигателя или аккумулятора.
 - Ни в коем случае не касайтесь лопастного колеса пальцами или какими-либо предметами.
 - Встроенный аккумулятор должен быть удален квалифицированным специалистом перед утилизацией.
 - Этот пылесос для бассейна содержит аккумулятор, который подлежит извлечению только квалифицированным специалистом.
 - Во время удаления аккумулятора пылесос должен быть отключен от электросети.
 - Подробную информацию о переработке / утилизации аккумулятора см. в разделе «УТИЛИЗАЦИЯ АККУМУЛЯТОРА» данного руководства. Также обратитесь в местные органы власти за дополнительной информацией.
 - Аккумулятор необходимо утилизировать безопасно в соответствии с местными нормами и правилами.
- Внешний адаптер и зарядная вилка:
- Ни в коем случае не используйте внешний адаптер и зарядную вилку для других целей, кроме зарядки аккумулятора пылесоса, который поставляется в одной с ним упаковке.
 - Внешний адаптер и зарядная вилка не должны использоваться на открытом воздухе, а также не должны подвергаться воздействию дождя, влаги, любых жидкостей и

- тепла.
- Трансформатор (или внешний адаптер) должен располагаться вне зоны 1.
- Храните внешний адаптер и зарядную вилку в недоступном для детей месте.
- Ни в коем случае не используйте внешний адаптер и зарядную вилку при наличии каких-либо повреждений.
- ЗАПРЕЩАЕТСЯ прикасаться к внешнему адаптеру и зарядной вилке мокрыми руками.
- ЗАПРЕЩАЕТСЯ прикасаться к пылесосу, внешнему адаптеру и зарядной вилке во время зарядки мокрыми руками и босиком.
- Держите внешний адаптер отключенным от источника питания, когда он не используется.
- Никогда не пытайтесь вскрыть внешний адаптер и зарядную вилку.
- Если шнур питания внешнего адаптера поврежден, в целях безопасности внешний адаптер должен быть заменен производителем или его агентом по обслуживанию.
- Перед зарядкой убедитесь, что пылесос и зарядная вилка полностью высохли.

ВНИМАНИЕ!

- Этот пылесос для бассейна предназначен только для использования под водой; это не универсальный пылесос. НЕ пытайтесь использовать его для чистки чего-либо, кроме вашего бассейна / спа.
- Используйте только оригинальные аксессуары, поставляемые с этим продуктом.
- ЗАПРЕЩАЕТСЯ использовать этот пылесос сразу после хлорирования бассейна. Рекомендуется сначала оставить бассейн с циркуляцией минимум на 24-48 часов.
- Если вы планируете использовать пылесос в бассейне с морской водой, убедитесь, что вся соль растворилась, прежде чем запускать пылесос.
- ЗАПРЕЩАЕТСЯ использовать этот пылесос одновременно с другим автоматическим устройством / очистителем в бассейне / спа.
- Перед началом чистки удалите твердые, острые предметы из бассейна вручную, чтобы не повредить пылесос и фильтр.
- Во избежание повреждения внешнего адаптера и зарядной вилки не пытайтесь переносить пылесос, держа его за шнур внешнего адаптера / зарядную вилку, и тянуть за шнур, чтобы отсоединить его от источника питания и зарядной вилки.
- Заряжайте пылесос в помещении в чистом, сухом месте с хорошей вентиляцией и вдали от солнечных лучей.
- НЕ оставляйте пылесос на зарядке более 10 часов.
- Если пылесос не будет использоваться в течение длительного периода, отсоедините его от зарядной вилки и почистите и высушите пылесос и его аксессуары с помощью влажной ткани. Перед хранением убедитесь, что аккумулятор заряжен примерно на 30–50% емкости. Храните пылесос в хорошо вентилируемом месте вдали от солнечного света, тепла, источников возгорания, химикатов для бассейнов и детей.

Никогда не оставляйте пылесос для бассейна включенным в сеть на длительное хранение. Подзаряжайте пылесос каждые три месяца.

- Все действия, связанные с разборкой основного блока (например, утилизация аккумулятора), должны выполняться только квалифицированным техником.

Приведенные выше предупреждения и предостережения не имеют своей целью включение всех возможных случаев риска и / или серьезных травм.

Владельцы бассейнов / спа должны всегда проявлять особую осторожность и здравый смысл при использовании продукта.

Примечание: фотографии / чертежи продукта / деталей в данном руководстве предназначены только для демонстрации. Продукт / детали на фотографиях / чертежах могут отличаться от приобретенной модели. Принадлежности / детали, показанные в этом руководстве и на схеме деталей, не обязательно входят в комплект поставки каждой модели.

НАЧАЛО РАБОТЫ

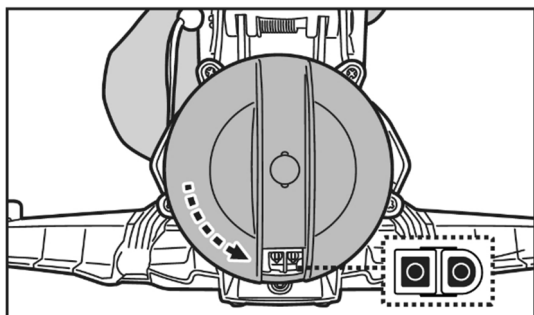
Зарядка аккумулятора

ВАЖНО: Перед первым использованием полностью зарядите аккумулятор пылесоса (около 6 часов).

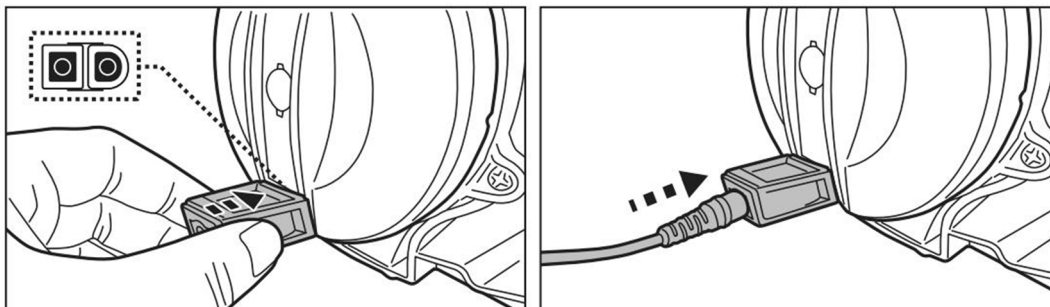
ПРЕДУПРЕЖДЕНИЕ!

- Используйте только оригинальный внешний адаптер и зарядную вилку из комплекта поставки.
- Перед настройкой и зарядкой убедитесь, что пылесос для бассейна и порт зарядки чистые и сухие. (СОВЕТЫ: используйте ватный тампон, чтобы высушить порт зарядки и зарядные контакты)
- Зарядные контакты водонепроницаемы. Однако остатки воды в порту и вокруг штырей могут естественным образом привести к появлению пятен (побочный продукт химической реакции между водой и электрическим током). В таком случае пятна можно удалить легкой протиркой ватным тампоном, смоченным соком лимона или уксусом.

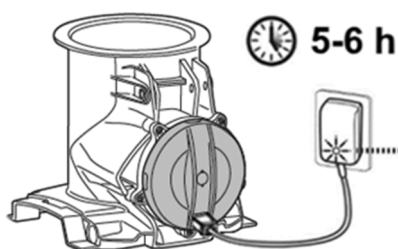
1. Поместите устройство на ровную поверхность. Установите пылесос в режим выкл. питания / зарядки, повернув ручку выключателя против часовой стрелки до щелчка и полного открытия порта зарядки.



2. Совместите зарядную вилку с зарядным портом и подсоедините ее. **ПРЕДУПРЕЖДЕНИЕ!** Перед зарядкой убедитесь, что зарядная вилка не перевернута, а порт зарядки и зарядная вилка чистые и сухие. **СОВЕТ:** Используйте ватный тампон, чтобы высушить порт зарядки и контакты. Вставьте зарядный кабель внешнего адаптера в зарядную вилку.



3. Подключите внешний адаптер к источнику питания. Индикатор на внешнем адаптере будет красным, пока пылесос заряжается, и станет зеленым, когда пылесос будет полностью заряжен. Для максимальной производительности заряжайте пылесос в течение 5-6 часов.



КРАСНЫЙ свет – Идет зарядка
 ЗЕЛЕНый свет – Зарядка закончена

- Немедленно отключите внешний адаптер от источника питания, если обнаружите что-либо из следующего:
 - Зловонный или необычный запах
 - Чрезмерное нагревание
 - Деформация, трещины, утечки
 - Дым
4. По завершении зарядки отключите внешний адаптер от источника питания и отсоедините зарядный кабель от зарядной вилки. Затем отсоедините зарядную вилку от основного устройства. **ПРЕДУПРЕЖДЕНИЕ!** Никогда не оставляйте зарядную вилку подсоединенной, когда пылесос для бассейна находится в воде.

Пылесос для бассейна рассчитан на работу до 75 минут в нормальных условиях и при полной зарядке.

Примечание. Регулярно опорожняйте фильтр-мешок. Чрезмерное количество мусора увеличивает нагрузку на двигатель и может сократить время работы.

ИНФОРМАЦИЯ: Ионно-литиевый аккумулятор классифицируется как расходный материал. Он имеет ограниченный срок службы и постепенно теряет способность удерживать заряд. Таким образом, время работы пылесоса будет постепенно сокращаться после повторной зарядки и разрядки на протяжении всего срока службы.

Когда срок службы батареи истечет, обратитесь к разделу «УТИЛИЗАЦИЯ АККУМУЛЯТОРА» для получения инструкций по утилизации батареи.

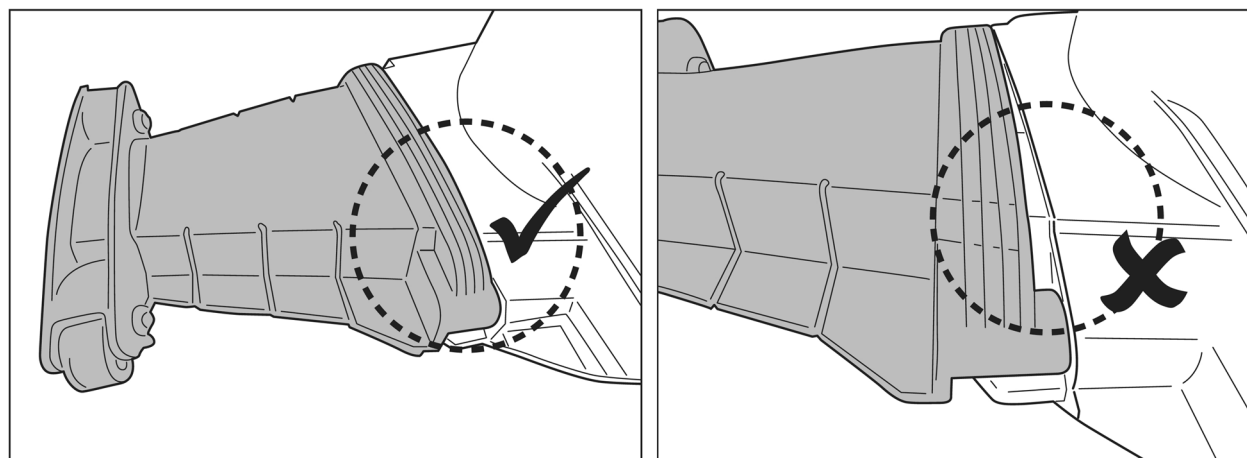
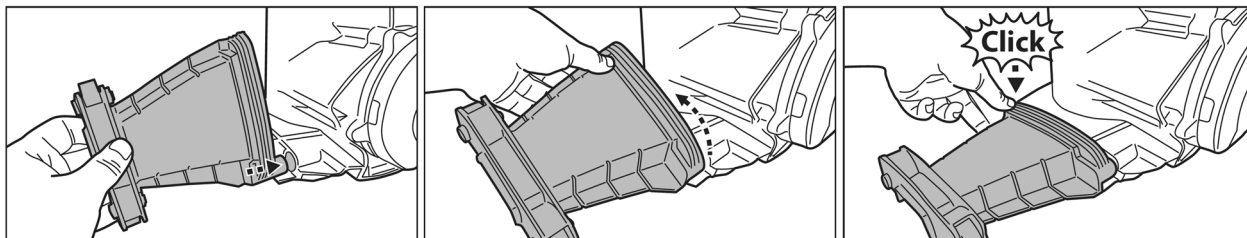
ПРИМЕЧАНИЕ: Дайте пылесосу отдохнуть от 30 до 40 минут, прежде чем снова зарядить его.

Настройка перед использованием

Этот пылесос для бассейна имеет съемные боковые насадки-расширители, которые можно снять для чистки узких участков.

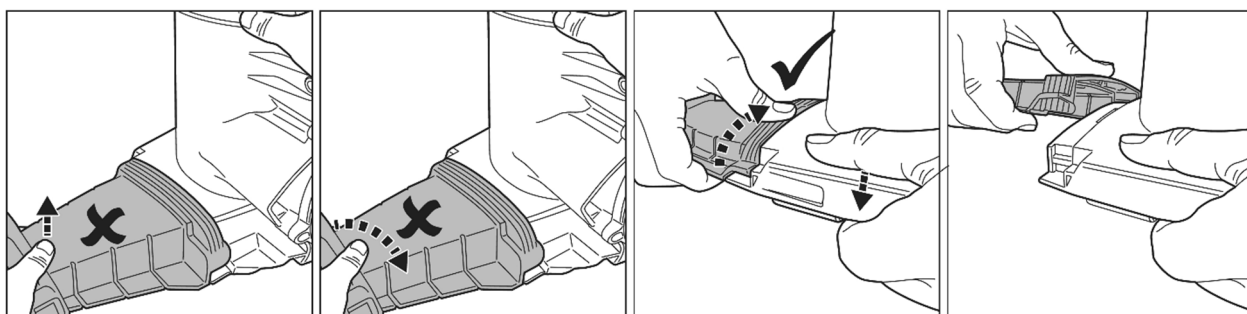
Сборка боковой насадки

Вставьте шток крыла в отверстие сбоку основного корпуса. Поверните крыло и надавите на него, чтобы закрепить на основном корпусе. Вы услышите звук щелчка.



Снятие боковой насадки

Чтобы отсоединить насадку-расширитель от основного блока, выполните указанные выше действия в обратном порядке.

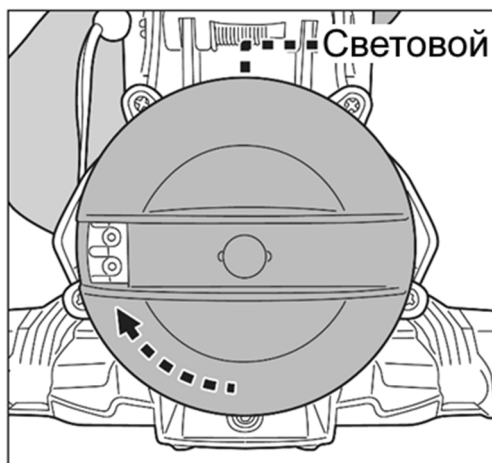


Подготовка бассейна

- Если дно бассейна хрупкое, повреждено или помято, обратитесь к квалифицированному специалисту для выполнения необходимого ремонта или замены покрытия дна бассейна перед использованием пылесоса.
- Если вы используете бассейн с морской водой, убедитесь, что вся соль растворилась, прежде чем помещать пылесос в воду.

РАБОТА

- 1) Поднесите пылесос к краю бассейна. Поверните ручку выключателя по часовой стрелке до щелчка, чтобы открыть датчики воды. Световой индикатор сверху станет синим. Погрузите пылесос для бассейна в воду, индикатор сразу станет зеленым, а лопастное колесо начнет вращаться через 4-5 секунд.



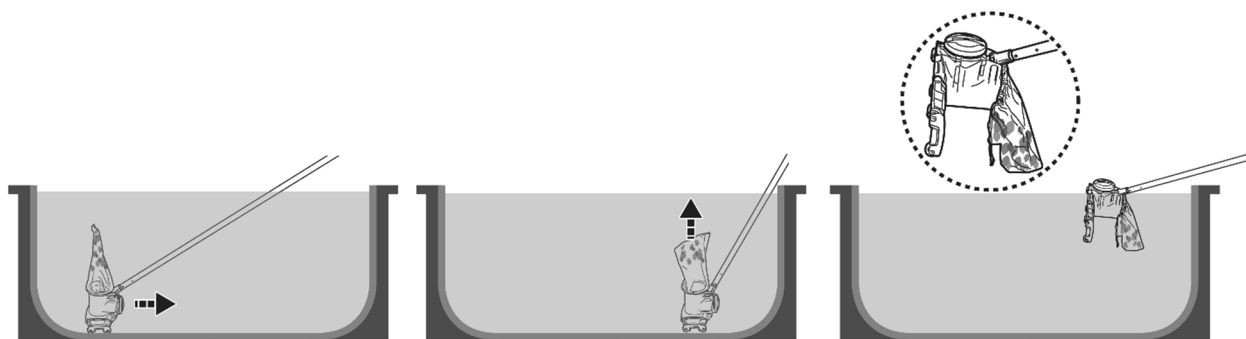
Цвет индикатора	
Синий	ВКЛ. (готов к работе)
Синий мигающий	Уровень заряда батареи низкий
Зеленый	В работе
Зеленый мигающий	Уровень заряда батареи низкий
Зеленый выкл.	Батарея разряжена (необходимо перезарядить)
Красный	Остановка лопастного колеса (колесо забито).

Чтобы эффективно убирать мусор, следите за тем, чтобы пылесос лежал ровно на дне бассейна, когда вы регулярно перемещаете его вперед и назад по участкам для сбора мусора. Пылесос собирает мусор спереди, сбоку и сзади, заполняя фильтр-мешок.

Если в бассейне слишком много мусора, он может засорить лопастное колесо, которое автоматически остановится, чтобы защитить двигатель, а световой индикатор загорится красным. Удалите пылесос из бассейна и выключите его перед очисткой лопастного колеса и опорожнением фильтра-мешка, если он полон. Чтобы возобновить работу, поверните ручку переключения против часовой стрелки до тех пор, пока не будет выбрано «ВЫКЛ.», затем поверните ее по часовой стрелке, чтобы выбрать «ВКЛ.».

- 2) Чтобы удалить пылесос из бассейна, поднесите его к краю бассейна и переверните вверх дном, прежде чем поднимать. Это необходимо для того,

чтобы мусор не высыпался обратно в бассейн (особенно, если вы используете фильтр тонкой очистки). Будьте осторожны, чтобы не погнуть штангу в процессе.



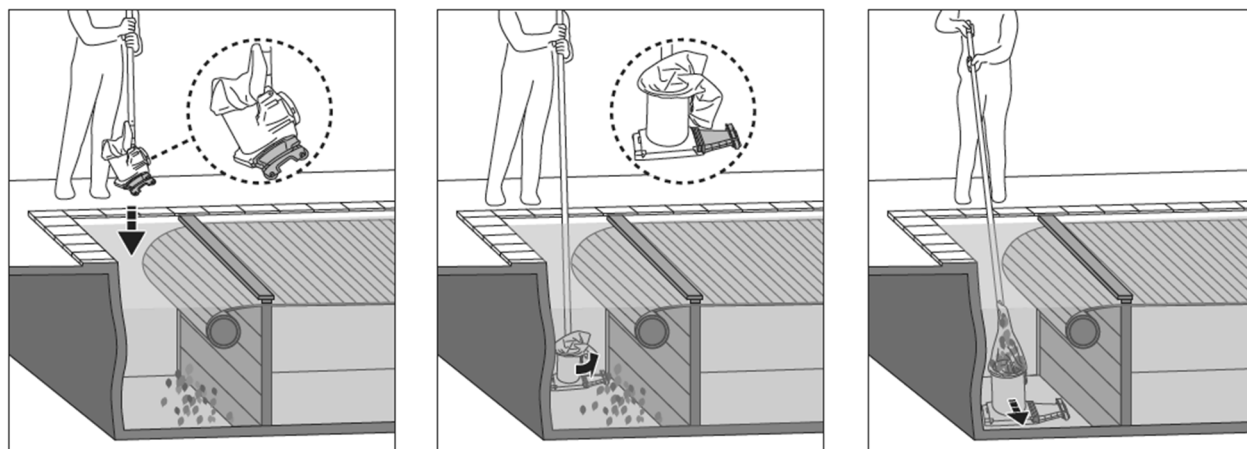
Лопастное колесо перестанет вращаться через 2-3 секунды, после того, как вы извлечете пылесос из воды. Световой индикатор станет синим. Если уровень заряда батареи низкий, синий свет будет мигающим.

- 3) Промывайте пылесос для бассейна пресной водой после каждого использования. НЕ используйте агрессивные моющие средства.
- 4) Тщательно просушите порт зарядки и контакты (СОВЕТ: протрите их ватным тампоном).

Чистка подводного отсека автоматических жалюзи для бассейна

ПРЕДУПРЕЖДЕНИЕ! Заранее ознакомьтесь с предупреждениями и инструкциями по технике безопасности, содержащиеся в руководстве по эксплуатации ваших автоматических жалюзи.

- Минимальное расстояние, необходимое для погружения пылесоса в подводный отсек, составляет 30 см (12 дюймов).



- Снимите крышку отсека и разверните жалюзи бассейна в соответствии с инструкциями.
- Отсоедините одну боковую насадку пылесоса перед тем, как погрузить его в отсек.
- Прикрепите телескопическую штангу (не входит в комплект) к ручке пылесоса, как указано в руководстве.
- Включите пылесос, затем перед погружением выровняйте его, как показано на изображении выше.
- Как только пылесос достигнет дна, расположите его параллельно длине отсека, как показано выше, и начинайте пылесосить подводный отсек.

ОЧИСТКА ФИЛЬТРА-МЕШКА / КАРТРИДЖНОГО ФИЛЬТРА

Примечание: картриджный фильтр не входит в комплект каждой модели.

ВНИМАНИЕ! Перед очисткой фильтра-мешка / картриджного фильтра убедитесь, что пылесос **ВЫКЛЮЧЕН**.

Регулярная промывка фильтра-мешка и картриджного фильтра помогает поддерживать хорошее всасывание и плотный контакт между пылесосом и дном бассейна во время работы.

Установите пылесос на ровную поверхность. Нажмите на фиксатор шнура, чтобы снять мешок с основного корпуса.

Рекомендуется промывать фильтр-мешок водой после каждого цикла очистки бассейна. Направляйте струю воды под углом к фильтру, чтобы избавиться от мусора между складками картриджного фильтра. Никогда не используйте мойку под давлением, так как это может повредить картридж. Чтобы удалить стойкую грязь или накипь на забитом фильтре, постирайте фильтр-мешок в стиральной машине при температуре воды 30 C (86 °F). Для картриджного фильтра замочите его в воде с моющим средством на 2-3 часа, затем промойте струей воды. Если необходима дополнительная чистка, используйте только мягкую щетку осторожно и аккуратно, чтобы избежать повреждений.

ОБСЛУЖИВАНИЕ И ХРАНЕНИЕ

ПРИМЕЧАНИЕ:

1. Обязательно очищайте и сушите области вокруг зарядного порта и датчиков воды после каждого использования, чтобы избежать образования пятен (побочный продукт естественной химической реакции между электрическим током и водой). Если пятна все же появятся, их можно удалить слегка протерев ватным тампоном, смоченным соком лимона или уксусом.
2. Батарея разряжается сама по себе во время хранения. Обязательно зарядите аккумуляторную батарею на 30% - 50% емкости перед хранением.
3. Когда пылесос не используется, следует заряжать аккумулятор не реже одного раза в три месяца
 - Выньте внешний адаптер из розетки, а затем зарядную вилку из внешнего адаптера.

- Снимите аксессуары с пылесоса для бассейна. При необходимости промойте пылесос и аксессуары пресной водой. НЕ ИСПОЛЬЗУЙТЕ агрессивное моющее средство.
- Обязательно высушите пылесос для бассейна перед хранением.
- Используйте влажную ткань, чтобы очистить и высушить пылесос и его аксессуары.
- Храните их в хорошо вентилируемом месте вдали от солнечного света, детей, тепла, источников возгорания и химикатов для бассейнов. Температура окружающей среды при хранении должна быть 10°C – 25°C (50°F – 77°F). ПРИМЕЧАНИЕ: Более высокая температура хранения может сократить срок службы батареи.

ПРЕДУПРЕЖДЕНИЕ!

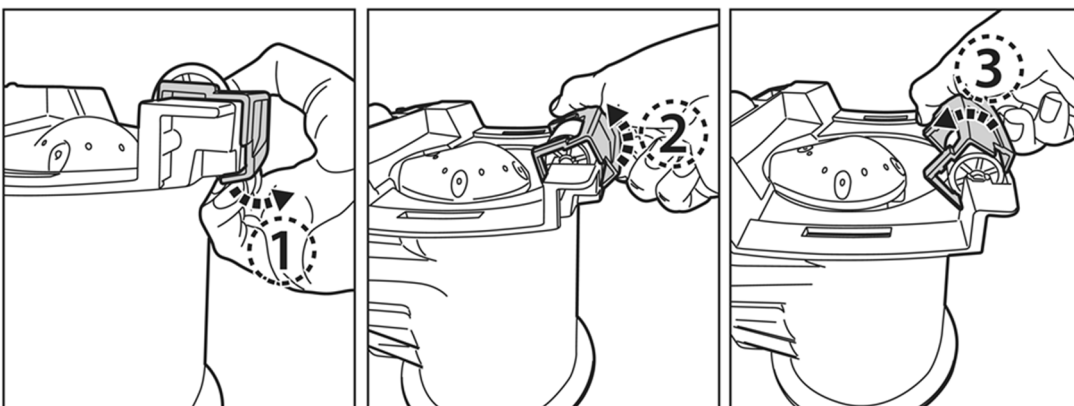
Ни при каких обстоятельствах не пытайтесь самостоятельно разобрать пылесос для бассейна и заменить лопастное колесо, двигатель и аккумулятор.

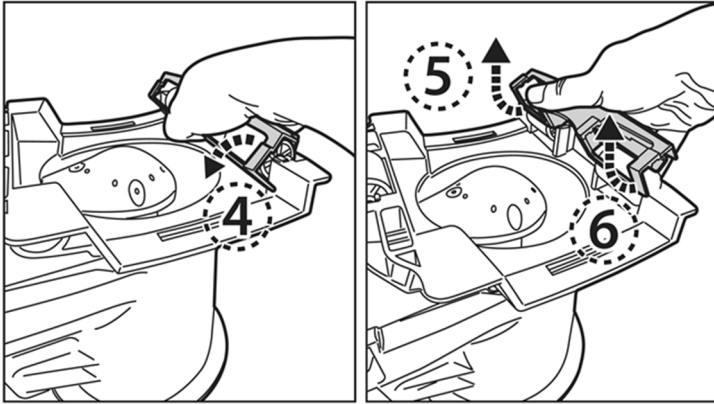
ВНИМАНИЕ!

- Слишком высокая температура может повредить аккумулятор и в результате сократить срок службы пылесоса для бассейна.
- Проконсультируйтесь со своим дилером по поводу замены батареи в следующих случаях:
 - Аккумулятор не заряжается полностью.
 - Время работы аккумулятора до полной разрядки заметно сократилось. Измерьте и запишите время работы во время первых нескольких использований робота (при полной зарядке). Используйте это время в качестве ориентира для сравнения с временем работы в будущем.
- Аккумулятор необходимо удалить из робота перед тем, как утилизировать его.
- Аккумулятор следует утилизировать безопасно в соответствии с местными нормами и правилами.

ПРИМЕЧАНИЕ: Неправильное обслуживание может сократить срок службы батареи и, как следствие, повлиять на ее емкость.

Замена передних колес





Прежде чем снимать поврежденные передние колеса, необходимо сначала снять раму.

1. Подденьте и поднимите край рамы.
- 2/3/4. Поверните раму на другую сторону.
5. Возьмите один конец и поднимите его.
6. Поднимите другой конец, чтобы отсоединить раму полностью и заменить поврежденное колесо.

УТИЛИЗАЦИЯ АККУМУЛЯТОРА (Выполняется квалифицированным техником)

Ваш робот оснащен необслуживаемой перезаряжаемой ионно-литиевой аккумуляторной батареей, которую необходимо утилизировать надлежащим образом. Пожалуйста, свяжитесь с местными властями для получения дополнительной информации.

ПРЕДУПРЕЖДЕНИЕ! Ни в коем случае не пытайтесь разобрать аккумулятор.

- Снимите все украшения, такие как кольца, браслеты, ожерелья и часы, если вы дотрагиваетесь до аккумуляторной батареи, извлеченной из робота.
- Батарея может производить ток короткого замыкания, достаточный для приваривания кольца (или подобного предмета) к металлу, вызывая при этом серьезные ожоги.
- При извлечении аккумуляторной батареи надевайте защитные очки, перчатки и защитную одежду.
- Не прикасайтесь ко всем проводам одновременно и избегайте контакта между ними и любыми металлическими предметами, так как это может вызвать искрение и / или короткое замыкание аккумулятора.
- Никогда не курите и не допускайте появления искр или пламени вблизи аккумулятора или робота.
- Не подвергайте аккумулятор воздействию огня или высоких температур, так как это может привести к взрыву.

ВНИМАНИЕ!

В случае возникновения утечки из батареи избегайте любого контакта с вытекшими жидкостями и поместите поврежденную батарею в пластиковый пакет.

- При попадании вытекшей жидкости на кожу и одежду немедленно промойте их большим количеством воды с мылом.
- Если вытекшая жидкость попала в глаза, не трите их, немедленно промойте глаза прохладной проточной водой в течение как минимум 15 минут и не трите их. Как можно скорее обратитесь за медицинской помощью.

Как снять аккумулятор для утилизации (Выполняется квалифицированным техником)

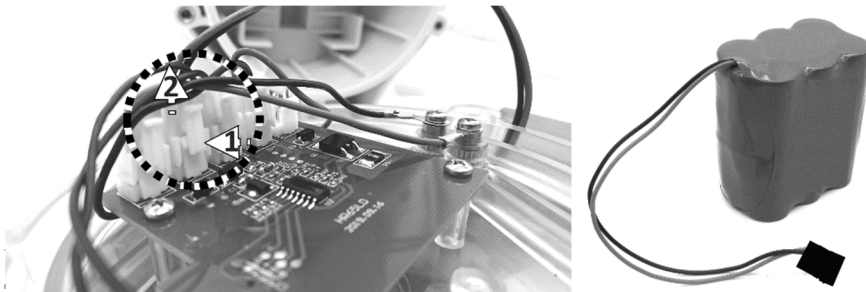
Рекомендуемые инструменты (не входят в комплект): Отвертка Philips.

ПРЕДУПРЕЖДЕНИЕ! Перед снятием аккумуляторной батареи необходимо отключить пылесос от сети.



1. Поставьте пылесос для бассейна на ровную поверхность. Отверткой открутите винты на задней крышке. Выньте аккумулятор из камеры.



2. Для отсоединения провода подсоединения аккумулятора нажмите на зажим разъема провода и вытяните его. **ПРИМЕЧАНИЕ:** Немедленно оберните контакты изолентой, чтобы избежать короткого замыкания, вызванного контактом обеих клемм проводов.



УСТРАНЕНИЕ ПРОБЛЕМ

Проблема	Возможная причина	Решение
Пылесос не запускается под водой (после 5-10 секунд)	Загрязнение датчиков воды	Пятна можно удалить с помощью ватного тампона, смоченного в лимонном соке или уксусе. Почистите датчики и области вокруг них.
	Аккумулятор разряжен	Зарядите пылесос.
Пылесос не собирает мусор / мусор высыпается в бассейн	Батарея разряжается	Зарядите пылесос.
	Лопастное колесо заклинило	Выньте пылесос для бассейна из воды и поверните ручку против часовой стрелки, чтобы выключить его. Проверьте, не забито ли лопастное колесо крупным мусором. Уберите мусор. При необходимости обратитесь к своему дилеру за дальнейшими инструкциями. ПРЕДУПРЕЖДЕНИЕ! Убедитесь, что пылесос выключен, прежде чем обслуживать аппарат.
	Лопастное колесо сломалось	Свяжитесь со своим дилером для замены.
	Фильтр-мешок заполнен / забит	Очистите фильтр-мешок.
Колесо отвалилось от пылесоса.	Проверьте, не сломано ли колесо / колесный кронштейн.	Замените колесо / колесный кронштейн
Время зарядки больше, чем указано в руководстве	Зарядные контакты загрязнены	Пятна можно удалить с помощью ватного тампона, смоченного в лимонном соке или уксусе. Почистите контакты и области вокруг них.
Пылесос не заряжается	Аккумулятор поврежден	Обратитесь к дилеру для замены аккумулятора. ПРЕДУПРЕЖДЕНИЕ! НЕ меняйте батарею самостоятельно. Это может привести к травмам или смертельному исходу, а также к аннулированию гарантии.
	Зарядная вилка неправильно подсоединена к внешнему адаптеру и пылесосу	См. Руководство по эксплуатации и правильно подключите аксессуары для зарядки.
	Внешний адаптер вышел из строя	Обратитесь к дилеру для замены. ПРЕДУПРЕЖДЕНИЕ! Использование неподходящего внешнего адаптера приведет к повреждению робота / аккумулятора и аннулированию гарантии.
Экологические программы, Европейская директива WEEE		
	Пожалуйста, соблюдайте правила Европейского Союза и помогайте защищать окружающую среду. Сдайте неработающее электрическое оборудование на предприятие, назначенное вашим муниципалитетом, которое надлежащим образом перерабатывает электрическое и электронное оборудование. Не выбрасывайте его в несортированные мусорные баки. Из предметов, содержащих съемные батареи, извлеките батареи перед утилизацией продукта.	
	© 2021 BWT Holding GmbH. 21011004 Все права защищены. Никакая часть этого документа не может быть воспроизведена или передана в любой форме и любыми средствами, электронными, механическими, путем фотокопирования, записи или иными способами, без предварительного письменного разрешения BWT Holding GmbH. (V1)	

Если вам требуется электронная копия данного руководства, пожалуйста, свяжитесь с нашей службой поддержки клиентов по электронной почте.

СОХРАНИТЕ ЭТИ ИНСТРУКЦИИ

**Note / Notiz / Noter / Nota / Notare / Noteren / Notera
Huomautus / Merk / Nota / Примечание**

- EN** We reserve the right to change all or part of the features of the articles or contents of this document, without prior notice.
International patents pending
- DE** Wir behalten uns das Recht vor, Aspekte der Artikel bzw. den Inhalt dieses Dokuments jeweils ganz oder teilweise ohne vorherige Ankündigung zu ändern.
International zum Patent angemeldet
- FR** Nous nous réservons le droit de modifier tout ou partie des caractéristiques des articles ou des contenus de ce document, sans notification préalable.
Brevets internationaux en attente
- ES** Nos reservamos el derecho de modificar la totalidad o parte de las características de los artículos o contenidos de este documento sin aviso previo.
Patentes Internacionales pendientes
- IT** Ci riserviamo il diritto di modificare integralmente o parzialmente le caratteristiche degli articoli o del contenuto del presente documento senza preavviso.
Patenti internazionali in attesa
- NL** Wij behouden ons het recht voor om zonder voorafgaande kennisgeving de artikelen of de inhoud van dit document te wijzigen.
In afwachting van internationale patenten
- SV** Vi förbehåller oss rätten att ändra alla eller delar av produktens funktioner eller innehållet i detta dokument, utan förvarning.
Internationellt patentsökt
- FI** Pidätämme oikeuden muuttaa kokonaisuudessaan tai osittain tämän asiakirjan tekstiä tai muuta sisältöä ilman ennakkoilmoitusta.
Kansainvälisiä patenteja vireillä
- NO** Vi forbeholder oss retten til å endre hele eller deler av detaljene i artiklene eller innholdet i dette dokumentet, uten forvarsel.
Internasjonale patenter er under behandling
- PT** Reservamo-nos o direito a alterar a totalidade ou parte das funcionalidades dos artigos ou conteúdos deste documento sem aviso prévio.
Patentes internacionais pendentes
- RU** Мы оставляем за собой право изменять полностью или частично характеристики, формат или содержание этого документа без предварительного уведомления.
Ожидается получение международных патентов



BWT-V1-21011004

BWT Walter-Simmer-Str. 4 - 5310 Mondsee - Austria

Made in China / Hergestellt in China / Fabriqué en Chine / Fabricado en China / Fatto in Cina / Gemaakt in China /
Tillverkad i Kina / Valmistettu Kiinassa / Laget i Kina / Fabricado na China / Сделано в Китае